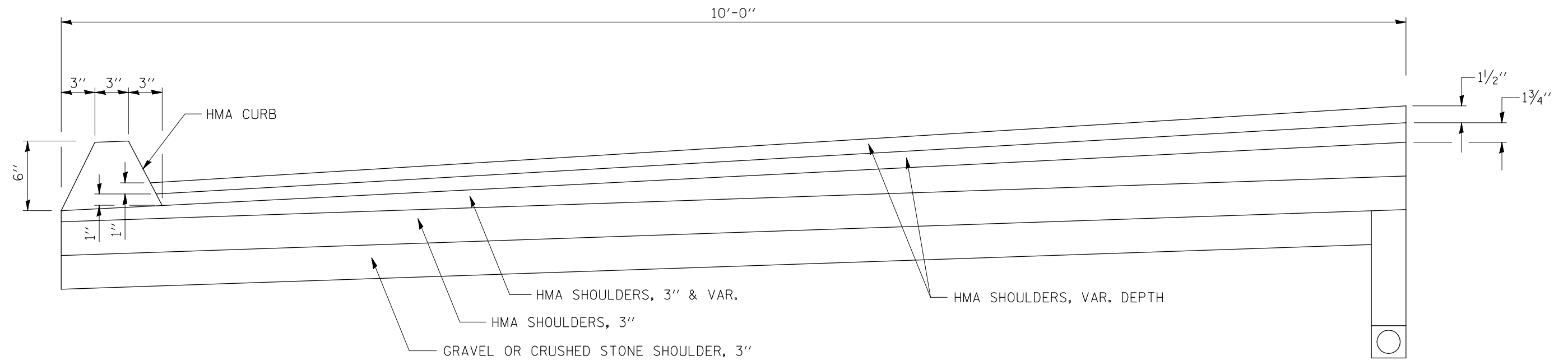
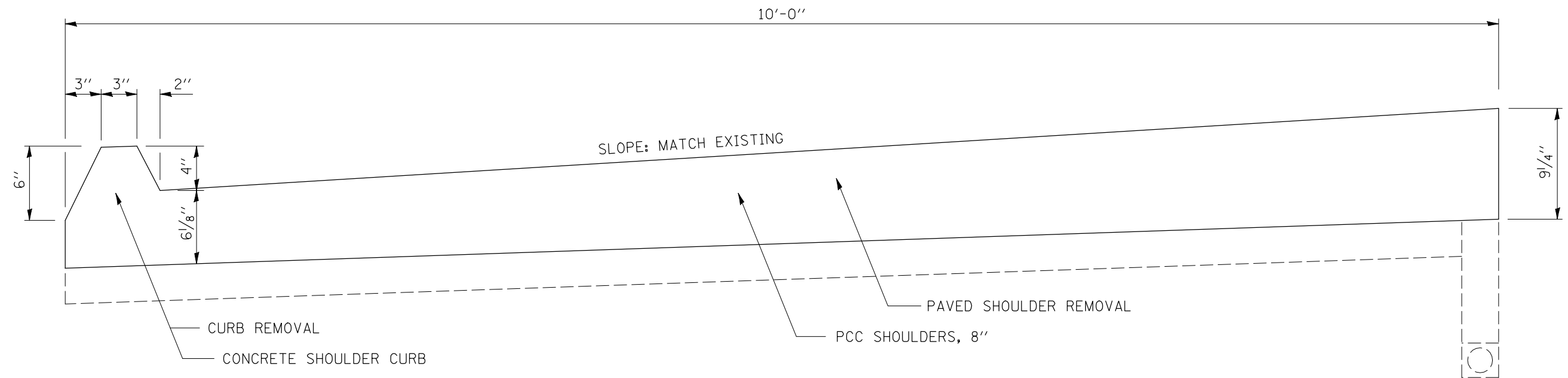


**EXISTING TYPICAL SECTION WESTBOUND DRIVING SHOULDER
STA 1626+00 TO STA 1627+00**



**PROPOSED TYPICAL SECTION WESTBOUND DRIVING SHOULDER
STA 1626+00 TO STA 1627+00**



*D-5 SCOUR MITIGATION 2009-1

FILE NAME =	USER NAME = s1msgm	DESIGNED - BH	REVISED - JDC - 4/30/09
ct:\pw\work\p1\dot\1\msgm\1\0117763\90945\cover.dgn		DRAWN - BH/JP	REVISED -
	PLOT SCALE = 40.0000' / IN.	CHECKED -	REVISED -
	PLOT DATE = 6/30/2009	DATE - 03-31-2008	REVISED -

**STATE OF ILLINOIS
DEPARTMENT OF TRANSPORTATION**

TYPICAL SECTIONS WESTBOUND DRIVING SHOULDER

SCALE: NA SHEET NO. 1 OF 1 SHEETS STA. TO STA.

F.A. RTE.	SECTION	COUNTY	TOTAL SHEETS	SHEET NO.
VAR.	*	VERMILION	12	5
FED. ROAD DIST. NO.			ILLINOIS FED. AID PROJECT	
			CONTRACT NO. 90945	