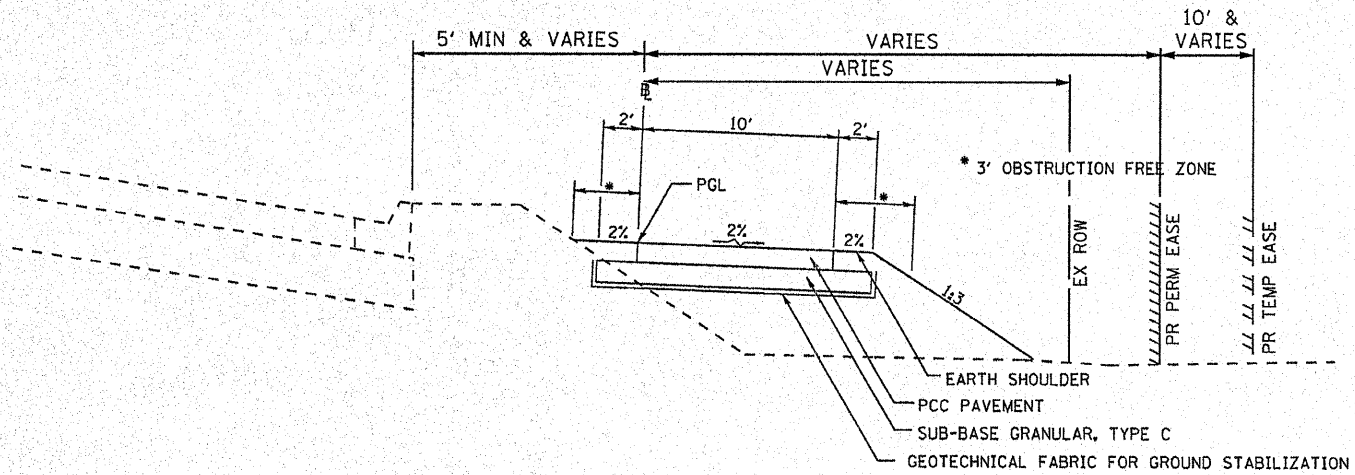


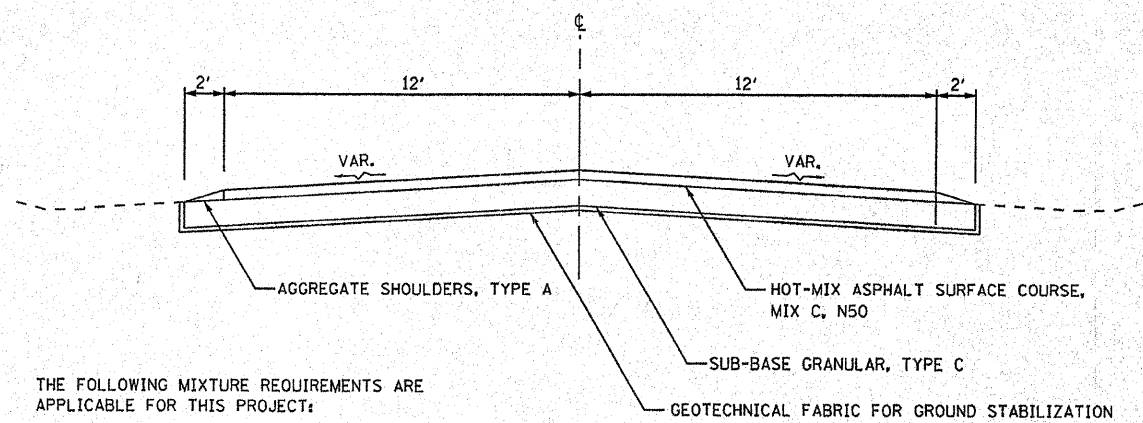
TYPICAL SECTIONS

CONTRACT NO.			
F.A. RTE.	SECTION	COUNTY	TOTAL SHEET NO.
06-00233-00-B	BY ROCK ISLAND	75	6
STA. TO STA.			
FED. ROAD DIST. NO. ILLINOIS FED. AID PROJECT			

BIKE PATH MOLINE SEGMENT
STA. 27+40 - 37+99.30



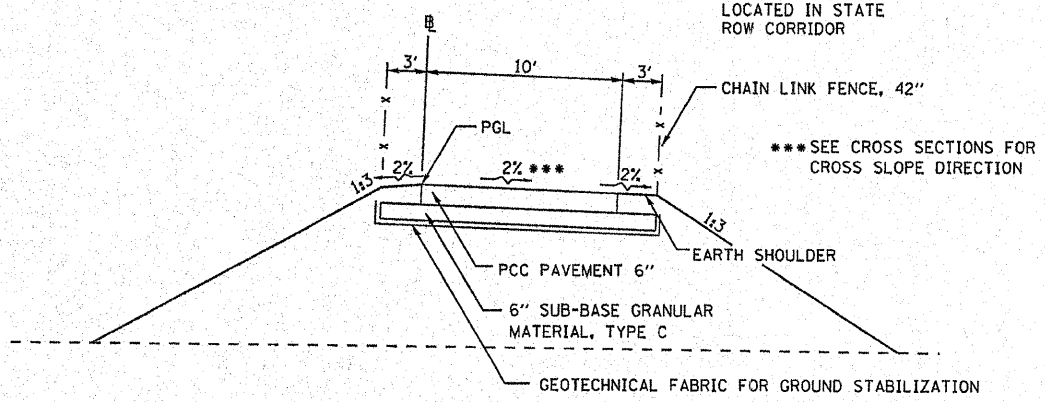
TRAILHEAD-ROCK ISLAND SEGMENT



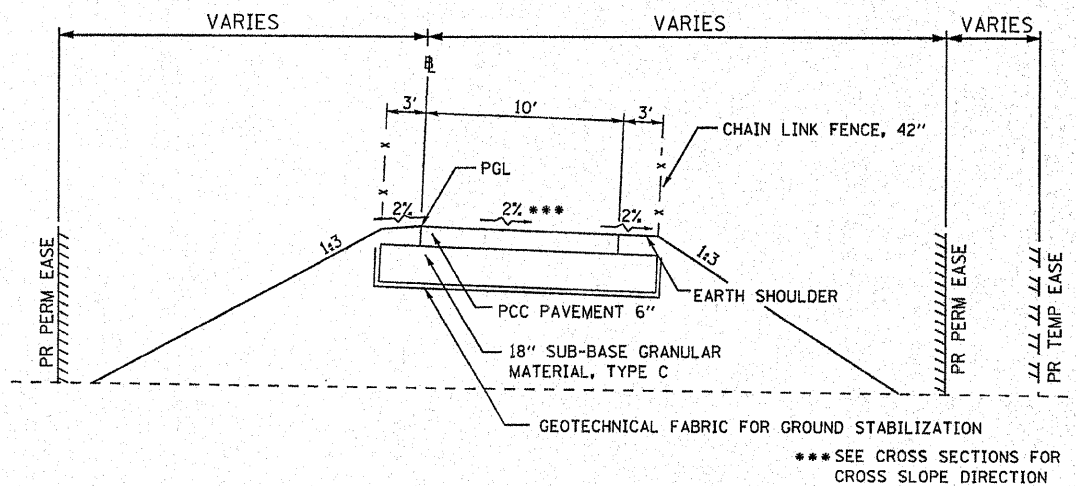
THE FOLLOWING MIXTURE REQUIREMENTS ARE APPLICABLE FOR THIS PROJECT:

MIXTURE USE(S):	HMA SURFACE COURSE
PG:	PG 64-22
DESIGN AIR VOIDS	3% @ N DESIGN = 50
MIXTURE COMPOSITION (GRADATION MIXTURE)	IL 9.5 OR 12.5
FRICTION AGGREGATE	MIXTURE C
20 YEAR ESAL	---

BIKE PATH MOLINE SEGMENT AT PIPE CULVERTS
STA. 1+22 - 2+10
LT STA. 4+75 - 5+69
RT STA. 4+50 - 5+48



BIKE PATH MOLINE SEGMENT AT BOX CULVERTS
RT STA. 11+35 - 11+78
LT STA 11+35 - 11+64
STA. 24+58 - 25+17



PLT DATE * DATE *
PLT SCALE * SCALE *
USER NAME * USER *

REVISIONS	
NAME	DATE

ILLINOIS DEPARTMENT OF TRANSPORTATION

TYPICAL SECTIONS

SCALE: NTS
DATE 3/31/09

DRAWN BY WEF/PAR
CHECKED BY BAJ