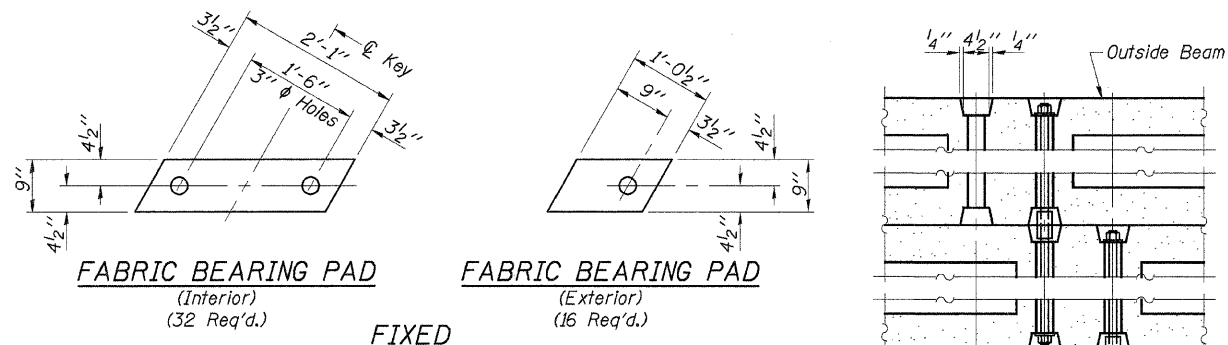
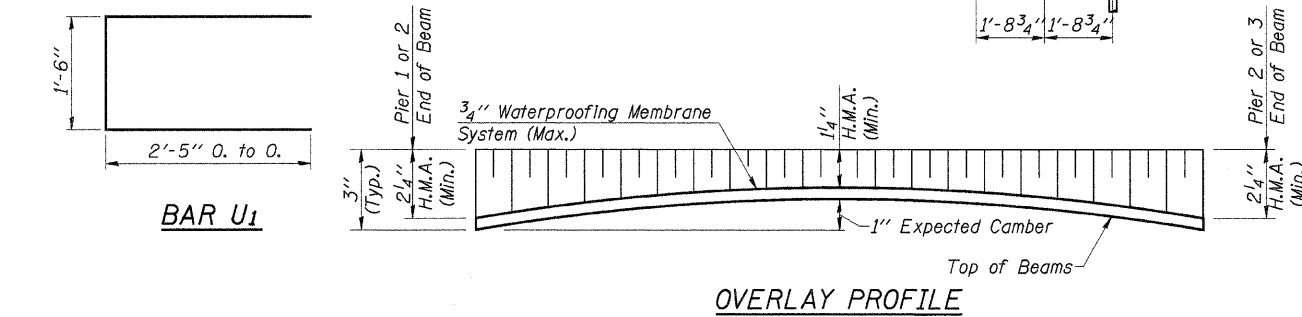
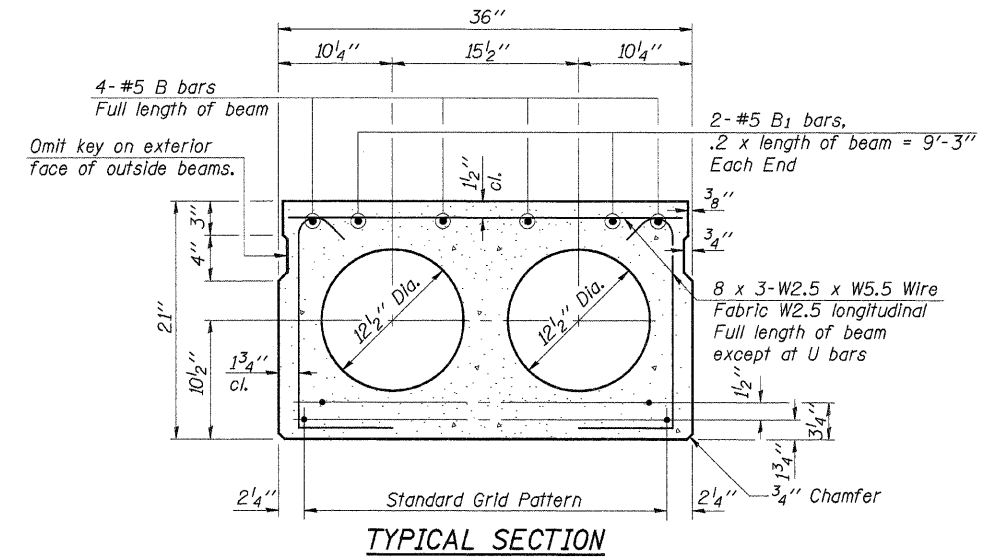
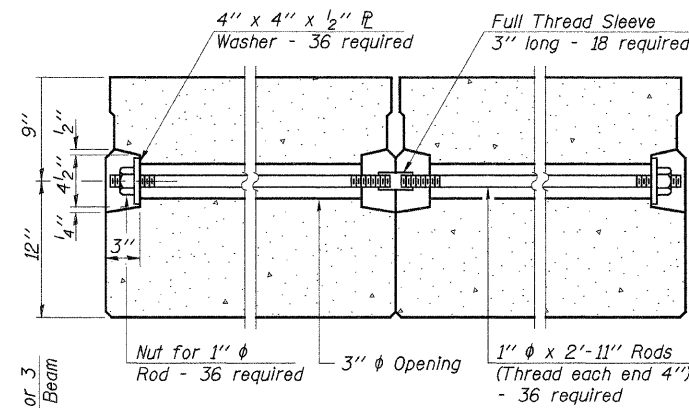


ROUTE NO.	SECTION	COUNTY	TOTAL SHEETS	SHEET NO.
FAS 1045 CH 11	07-00421 -00-BR	WINNEBAGO	18	7
ILLINOIS		CONTRACT NO. 85451		

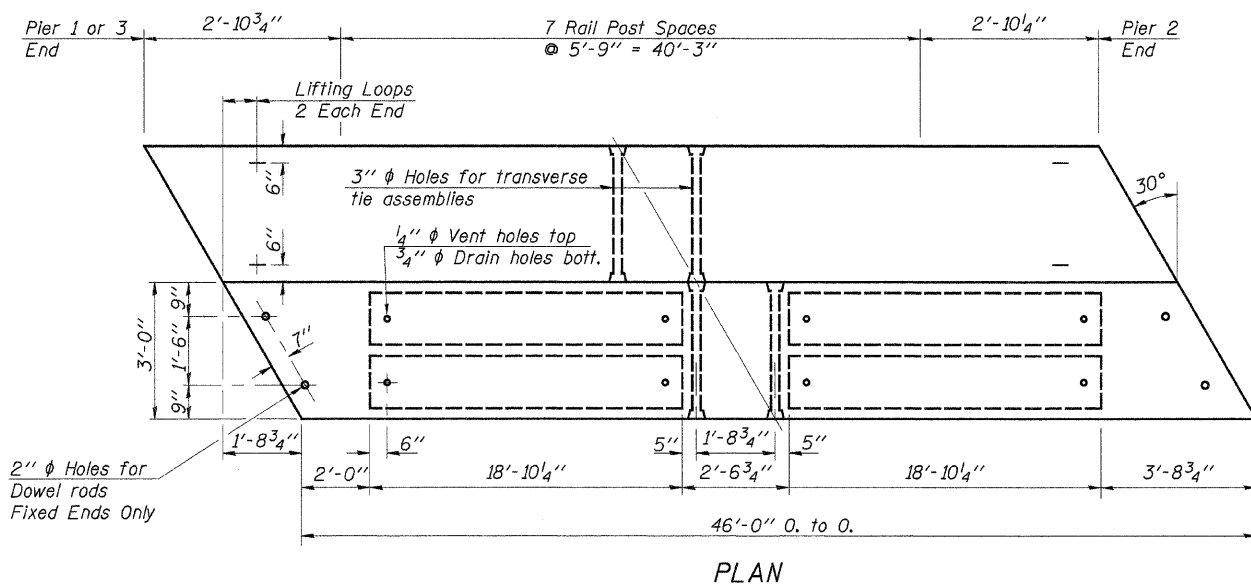
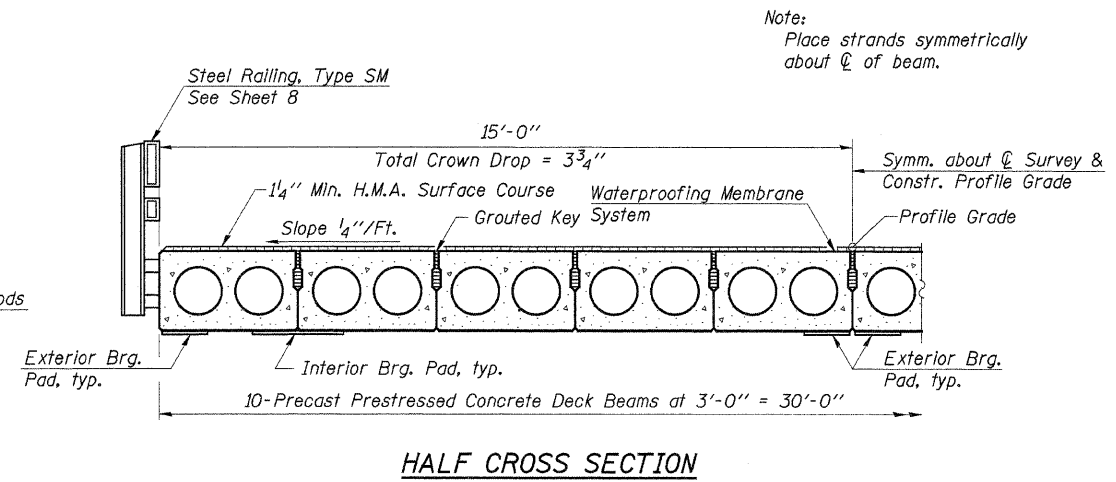
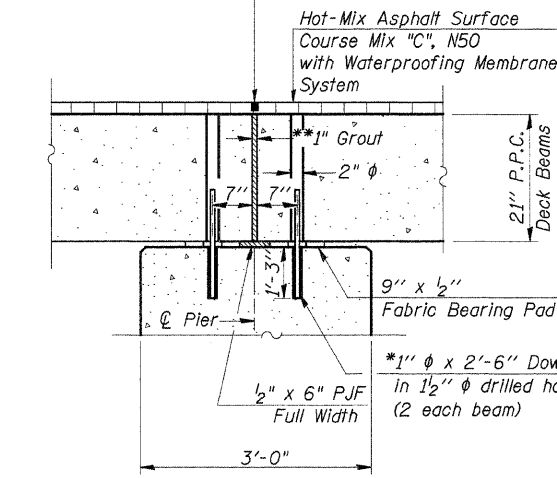


FIXED



TYPICAL TRANSVERSE TIE ASSEMBLY

3/8" x 3/4" Saw Cut
Fill with Elastic Jt. Filler (Full Width)



* Dowel rods to be grouted in place and allowed to cure (Min. 24 Hrs.) prior to grouting shear keys.

** 1" dimension may vary plus or minus to accommodate tolerance in beam lengths.

NOTES

Prestressing steel shall be uncoated high strength, low relaxation 7-wire strand, Grade 270. The nominal diameter shall be 1/2" and the nominal cross-sectional area shall be 0.153 sq. in. Lifting loops shall be 2'-1/2" φ-270 ksi strands, as shown. The 1" φ rods in the transverse tie assembly shall be tightened to a snug fit and the threads set. Pockets that receive transverse tie bar on outside shall be filled with grout after transverse tie assembly is in place. Non prestressing steel shall conform to ASTM A706, Grade 60. The bearing seat surfaces shall be adjusted by shimming to assure firm and even bearing. Two 1/8" fabric adjusting shims of the dimensions of the Exterior Bearing Pad shall be provided for each bearing. (96 Req'd.) Keyway surfaces shall be cleaned to remove form oil or other bond breaking material prior to shipment of the beams. Cleaning shall be done by sandblasting the keyway areas between top of the beam and the bottom edge of the key. Corrosion inhibitor, according to Art. 1020.05 (b)(12) of the Standard Specifications, shall be used in the concrete for precast prestressed concrete deck beams. Required Release Strength, f'ci, shall be 4,000 p.s.i. See Special Provisions for review and distribution of shop drawings. Rail post anchor devices shall be cast into outside beam as elsewhere specified.

BILL OF MATERIAL

Item	Unit	Quantity
Precast Prestressed Concrete Deck Beams (21" Depth)	Sq. Ft.	2,760
P.C. Mortar Fairing Course	Foot	828
Hot-Mix Asphalt Surface Course Mix "C", N50	Ton	28
Waterproofing Membrane System	Sq. Yd.	311

Estimated Total Weight (One Beam) = 27,450 Pounds

**SUPERSTRUCTURE
SPANS 2 & 3
SECTION 07-00421-00-BR
F.A.S. ROUTE 1045 - C.H. 11
WINNEBAGO COUNTY
STA. 310+19.92**

DESIGNED	A.R.K.
CHECKED	J.A.M.
DRAWN	S.A.P.
CHECKED	J.A.M. & A.R.K.

PD-3-R 9-1-03

