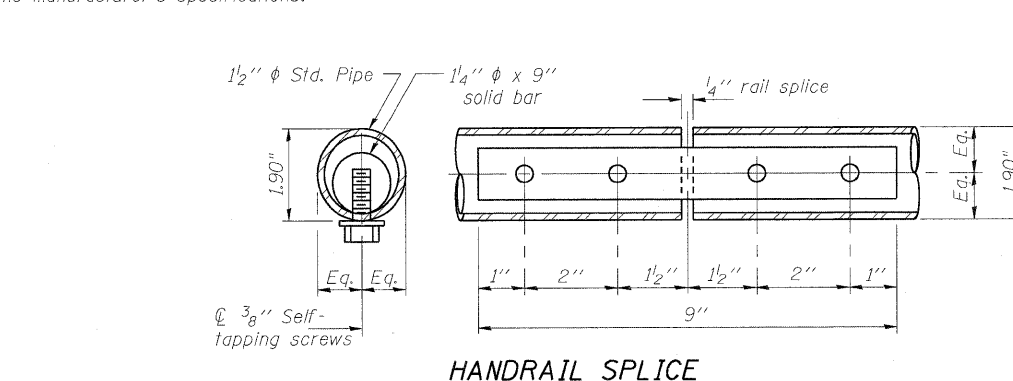
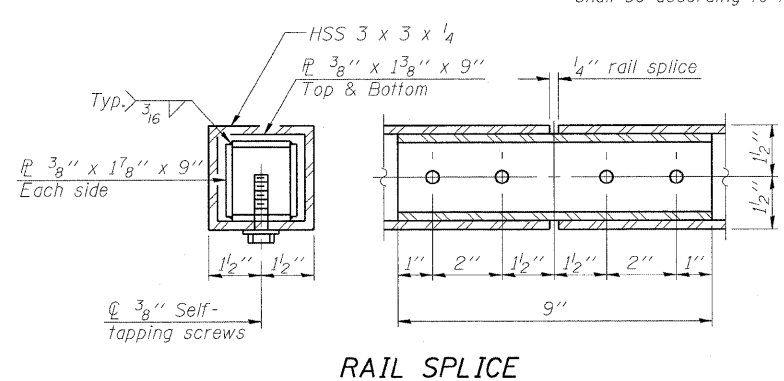


In lieu of the cast-in-place anchor device shown, the Contractor has the option of drilling and setting 5/8" φ anchor rods according to Article 509.06 of the Standard Specifications. Embedment shall be according to the manufacturer's specifications.



NOTES

All steel rail elements shall be galvanized according to Article 509.05 of the Standard Specifications.

Railing shall be according to Section 509 of the Standard Specifications, except as noted, and will be paid for at the Contract Unit Price per foot for Pedestrian Railing (Special).

Space reinforcement to miss anchor rods.

BILL OF MATERIAL

Item	Unit	Quantity
Pedestrian Rail (Special)	Foot	480.0