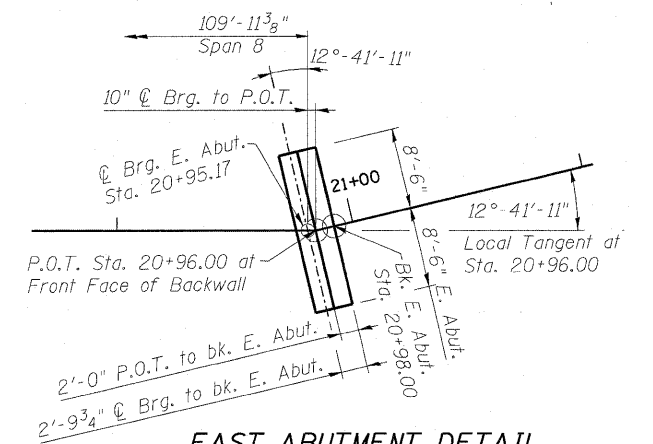
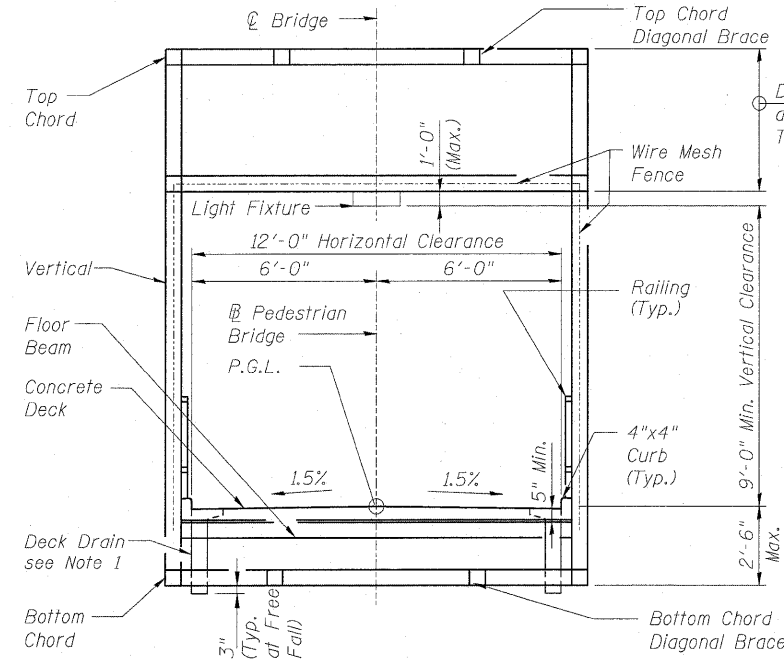


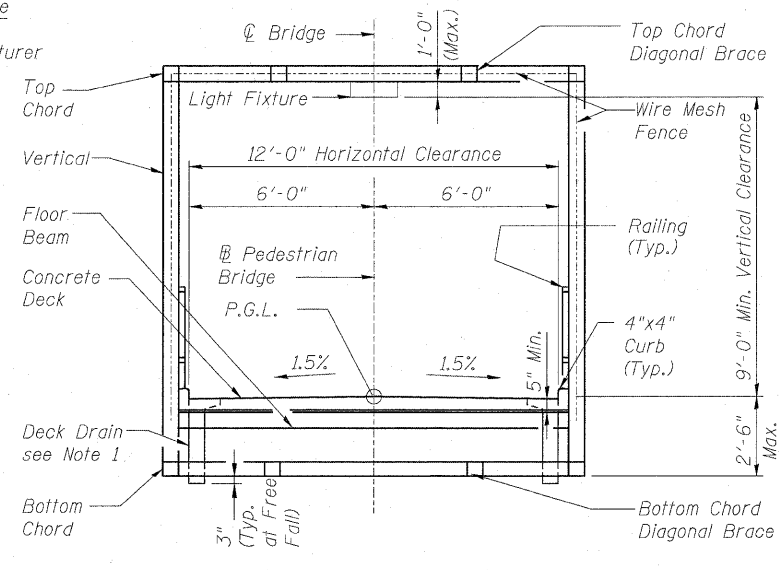
OFFSET LAYOUT AND FOOTING LAYOUT



EAST ABUTMENT DETAIL



TYPICAL SECTION THRU BRIDGE
Spans 6 & 7



TYPICAL SECTION THRU BRIDGE
Span 1 thru Span 5 and Span 8

NOTES:

- Deck Drain Free Fall at W. Abut., Piers 1, 2, 3, & E. Abut. Deck Drain Connected to enclosed Drainage System at Pier 4, 6 & 7. See Sheet PB-19 for Drainage System Details. Cost of Deck Drains included with cost of "Pedestrian Truss Superstructure".
- Pedestrian Truss Manufacturer must coordinate location of light fixtures with the Contractor and provide all necessary mounting brackets to facilitate installation of light fixtures and raceway system on the Pedestrian Bridge. See special provision for Pedestrian Bridge Lighting System.

FILE NAME = 082-0394.76C47_S04_GN-02.dgn	USER NAME = bhatta	DESIGNED - DEV	REVISD -	STATE OF ILLINOIS DEPARTMENT OF TRANSPORTATION	BRIDGE TYP. SECTIONS & SUBSTRUCTURE LAYOUT				F.A. RTE. 64	SECTION 82-1-IHBR	COUNTY ST. CLAIR	TOTAL SHEETS 93	SHEET NO. 45
PLOT SCALE = 0:1" = 1' / IN.	CHECKED - ATB	REVISD -	REVISD -						CONTRACT NO. 76C47				
PLOT DATE = 6/15/2009	DATE - 05/01/09	REVISD -	REVISD -		SCALE:	SHEET NO.	OF SHEETS	STA.	TO STA.	FED. ROAD DIST. NO.	ILLINOIS FED. AID PROJECT		