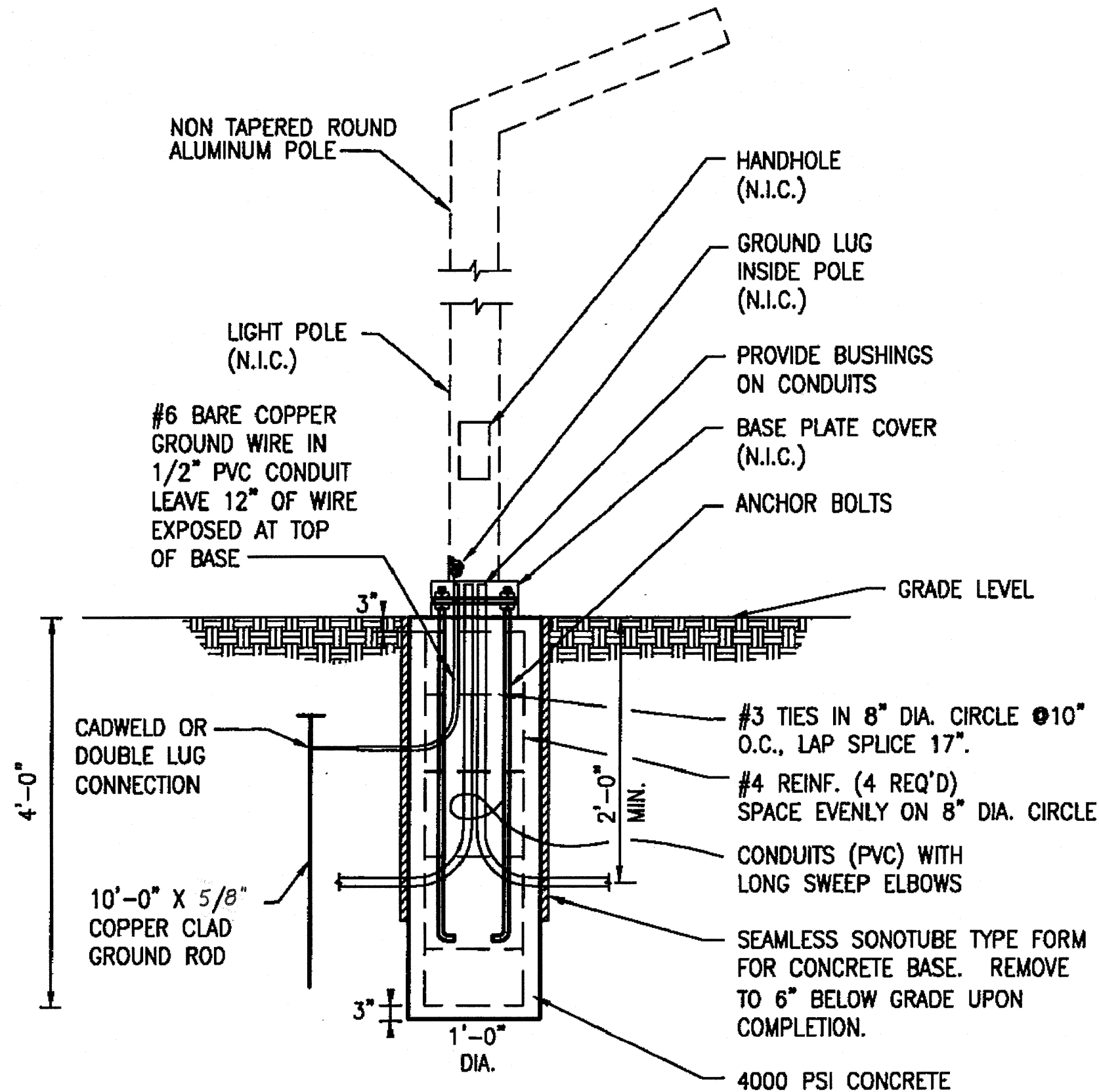


NOTES:

1. COORDINATE ALL WORK WITH METROLINK PRIOR TO COMMENCEMENT OF WORK.
2. DETAIL SHOWN FOR INFORMATION PURPOSES ONLY. CONTRACTOR IS RESPONSIBLE FOR INSPECTING THE EXISTING METROLINK CONCRETE LIGHT POLE FOUNDATIONS PRIOR TO REMOVAL TO DETERMINE THE EXACT DIMENSIONS OF THE FOUNDATION AND ANCHOR BOLTS. THE NEW LIGHT POLE FOUNDATIONS WILL MATCH THE EXACT DIMENSIONS OF THE EXISTING FOUNDATIONS.



WALKWAY POLE BASE

NO SCALE

ME-04

FILE NAME = DBTRI-76C47-sht-Light-04.dgn	USER NAME = millarde	DESIGNED - JSF	REVISED -	STATE OF ILLINOIS DEPARTMENT OF TRANSPORTATION	LIGHTING DETAILS METROLINK DETAILS			F.A.J. RTE. 64	SECTION 82-1-1HBR	COUNTY ST. CLAIR	TOTAL SHEETS 93	SHEET NO. 35
	PLOT SCALE = 0.9444 1/1 IN.	CHECKED - WDS	REVISED -					CONTRACT NO. 76C47				
	PLOT DATE = 5/1/2009	DATE - 05/01/09	REVISED -					SCALE: NONE SHEET NO. 3 OF 3 SHEETS STA. N/A TO STA. N/A				
								FED. ROAD DIST. NO. ILLINOIS FED. AID PROJECT				