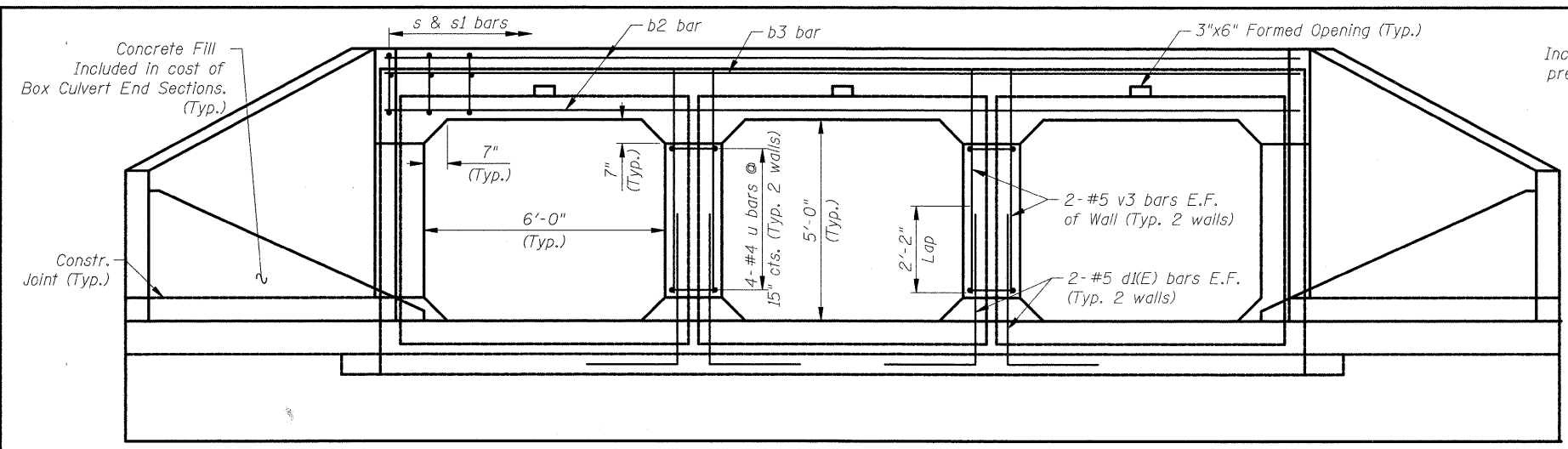
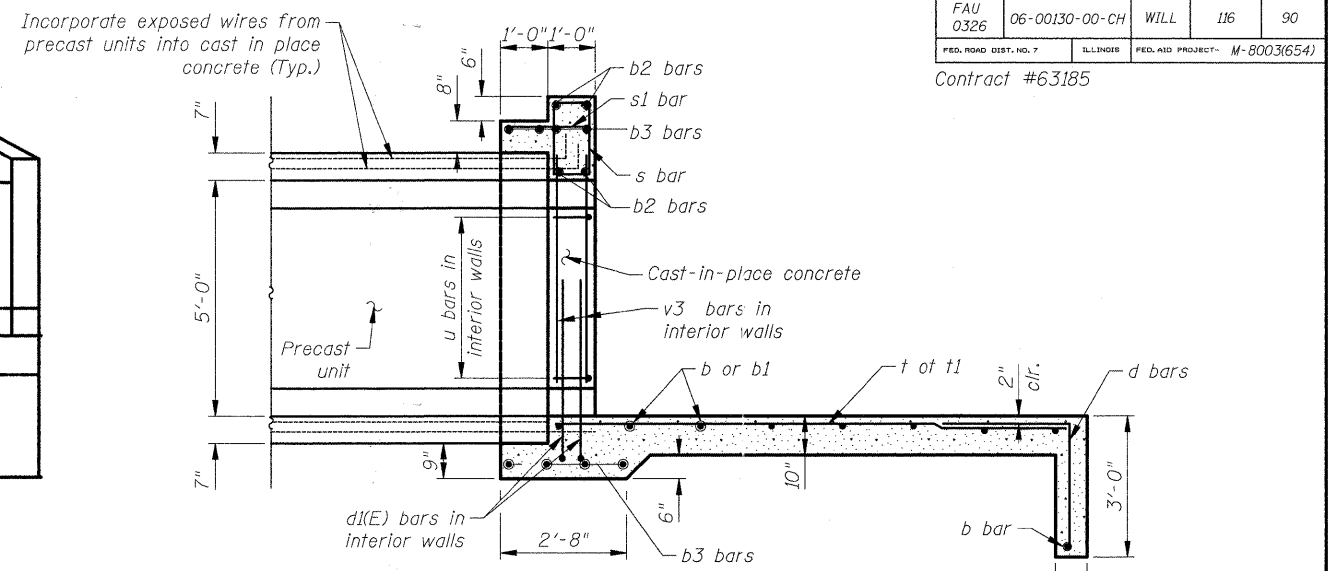


ROUTE NO.	SECTION	COUNTY	TOTAL SHEETS	SHEET NO.
FAU 0326	06-00130-00-CH	WILL	116	90
FED. ROAD DIST. NO. 7	MILLING	FED. AID PROJECT-	M-8003(654)	

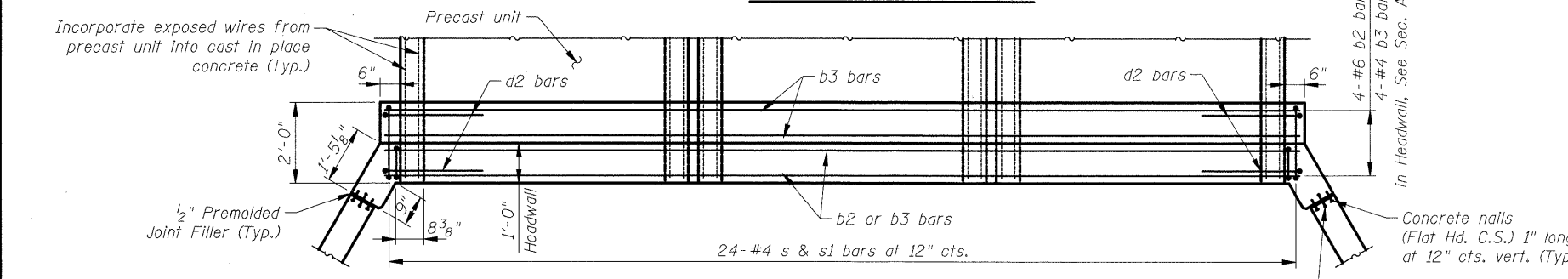
Contract #63185



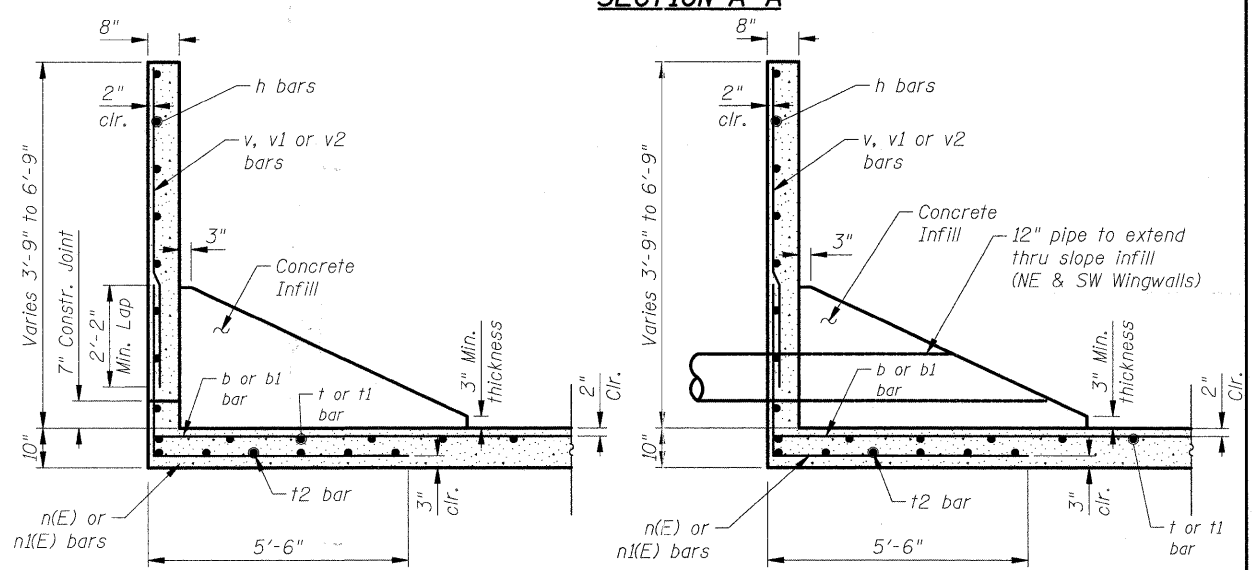
**END VIEW - ELEVATION**



**SECTION A-A**

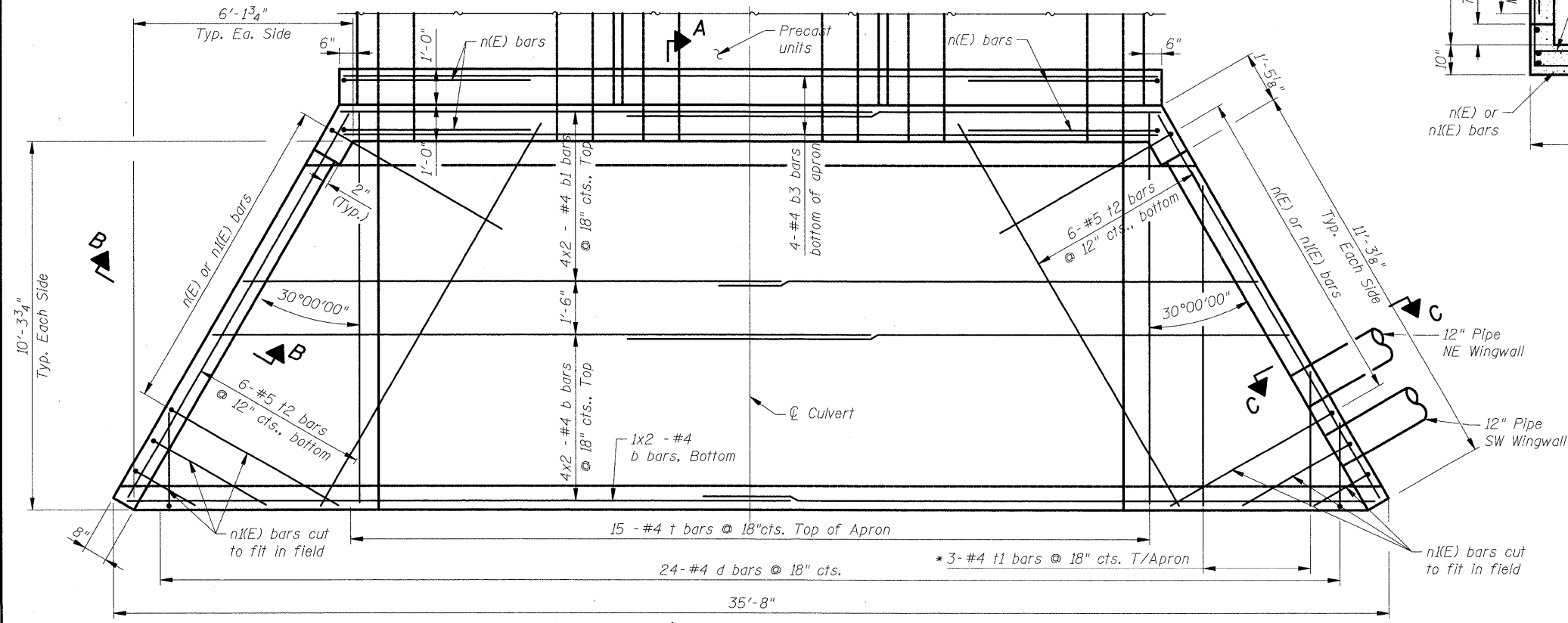


**HEADWALL & CORNER DETAIL - PLAN**



**SECTION B-B**

**SECTION C-C**



**PARTIAL PLAN**

West End similar, except rotated 180°  
\* Remainder to be used on opposite side

C2 of C4

STATE OF ILLINOIS  
DEPARTMENT OF TRANSPORTATION  
CULVERT DETAILS I

ESSINGTON ROAD OVER SUNNYLAND DRAIN  
STATION 142+63.00  
SECTION 06-00130-00-CH WILL COUNTY  
STRUCTURE 099-6469

Scale: None  
Date: May 29, 2009

By: M. Lange  
Checked: G. Hatlestad

CIVILTECH

450 E Devon Ave, Suite 300  
Itasca, Illinois 60143  
Tel: 630.773.3900 Fax: 630.773.3975  
www.civiltechinc.com

9/19/02 AM 5/27/2009 J:\2145\CAD\Struct\02\_culvert\_details.dgn