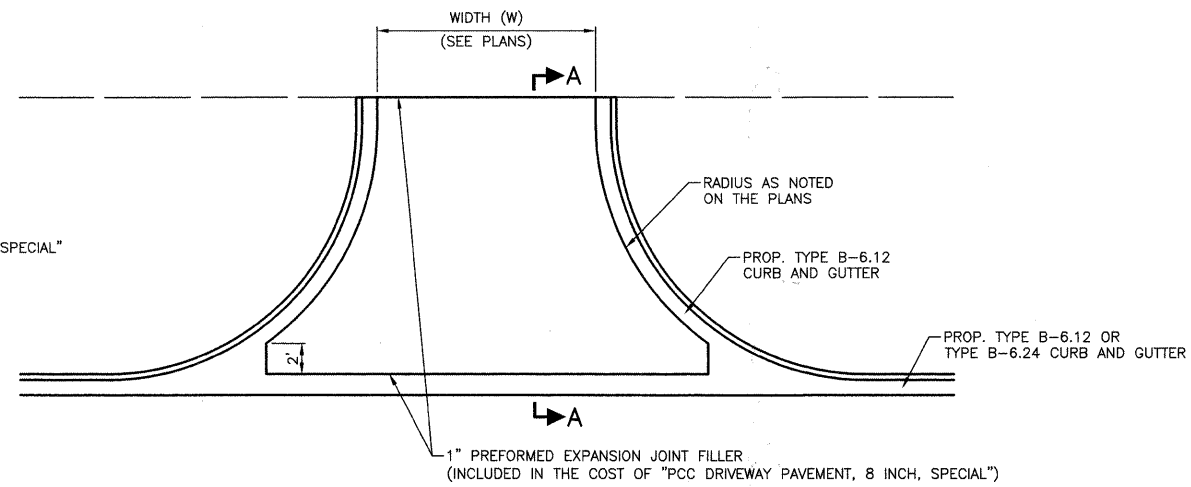
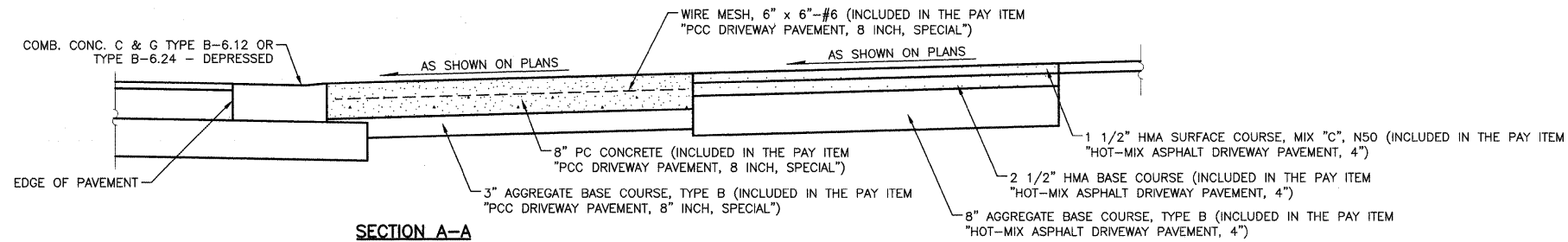


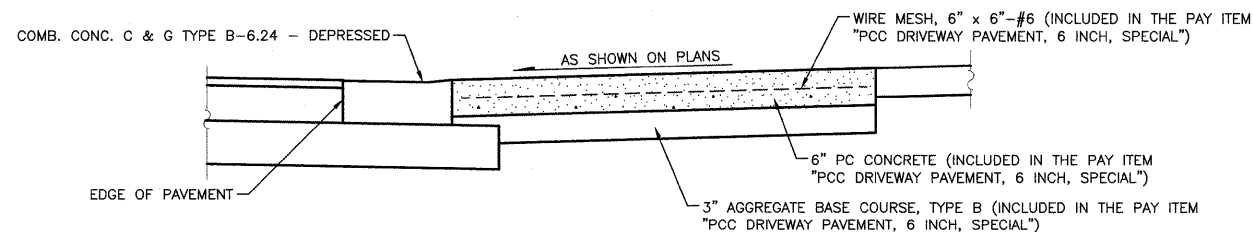
**STRAIGHT TAPER PLAN VIEW**



**RADIUS TAPER PLAN VIEW**



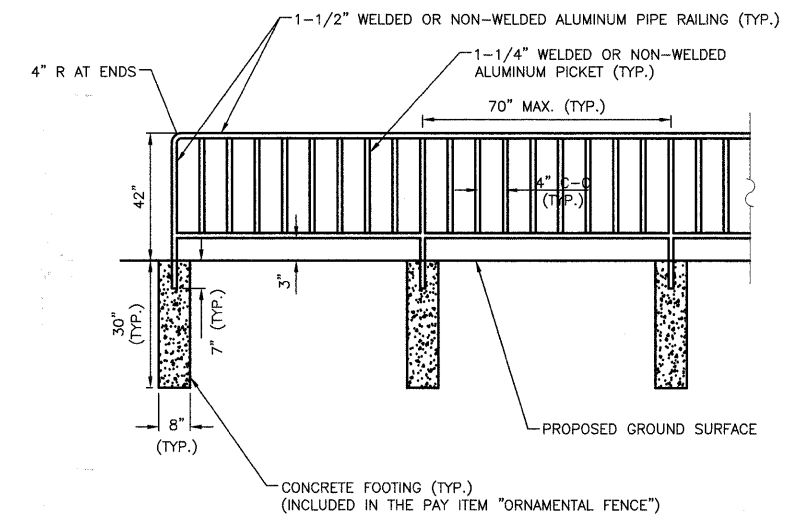
**SECTION A-A FOR PCC DRIVEWAY PAVEMENT, 8 INCH, SPECIAL AND HMA DRIVEWAY PAVEMENT, 4"**



**SECTION A-A FOR PCC DRIVEWAY PAVEMENT, 6 INCH, SPECIAL**

**DRIVEWAY DETAILS**

NOT TO SCALE



**ORNAMENTAL FENCE**

NOT TO SCALE

FILE NAME =	USER NAME =	DESIGNED BLG/KRK	REVISED --	<b>STATE OF ILLINOIS DEPARTMENT OF TRANSPORTATION</b>	<b>DETAILS</b> ESSINGTON ROAD AT HENNEPIN DRIVE	F.A.U. RTE.	SECTION	COUNTY	TOTAL SHEETS	SHEET NO.	
		DRAWN BLG/KRK	REVISED --			0326	06-00130-00-CH	WILL	116	86	
	PLOT SCALE =	CHECKED DJK	REVISED --			CONTRACT NO. 63185					
	PLOT DATE =	DATE 5-29-09	REVISED --			SCALE: NOT TO SCALE SHEET NO. 1 OF 1 SHEETS		FED. ROAD DIST. NO. 7 ILLINOIS		FED. AID PROJECT M-8003(654)	