

STATE OF ILLINOIS
DEPARTMENT OF TRANSPORTATION

F.A.P. RTE.	SECTION	COUNTY	TOTAL SHEETS	SHEET NO.
14	135RS-2	ALEXANDER	11	1
		ILLINOIS	CONTRACT NO. 78875	

D-99-053-21



**PROPOSED
HIGHWAY PLANS**

FAP ROUTE 14 (IL 3)
SECTION 135RS-2
PROJECT STP-2CQ1(667)
RESURFACING
ALEXANDER COUNTY

C-99-069-21

FOR INDEX OF SHEETS, SEE SHEET NO. 3

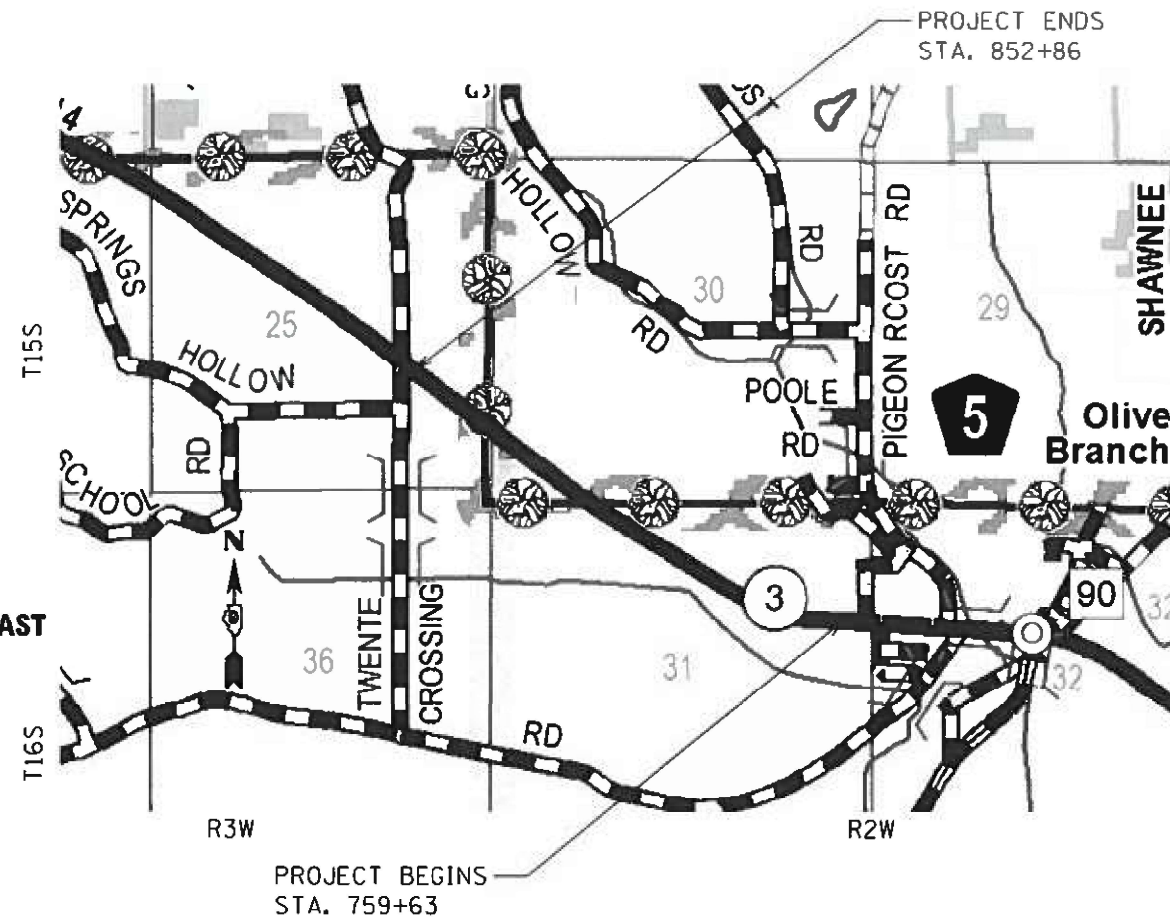
FOR SUMMARY OF QUANTITIES, SEE SHEET NO. 6-7

TRAFFIC DATA

TRAFFIC DATA IL 3			
IL 3			
Brownville Rd to Pigeon Roost Rd			
	2019	2021	2041
PV =	2,610	2,660	3,250
SU =	190	195	235
MU =	300	305	375
ADT =	3,100	3,160	3,860

TOWNSHIPS

OLIVE BRANCH
SANTA FE



COORDINATE SYSTEM : NAD 1983 STATEPLANE ILLINOIS EAST

POSTED SPEED : 40-55 MPH

J.U.L.I.E.
JOINT UTILITY LOCATION INFORMATION FOR EXCAVATION
1-800-892-0123
OR 811

PROJECT ENGINEER VALERIE ROLLA
PROJECT DESIGNER BRANDY MAES

CONTRACT NO. 78875

GROSS LENGTH = 9323 FT. = 1.77 MILES
NET LENGTH = 9323 FT. = 1.77 MILES

STATE OF ILLINOIS
DEPARTMENT OF TRANSPORTATION

SUBMITTED 06-21-21

[Signature] REGION FIVE ENGINEER

August 13, 2021

[Signature]
ENGINEER OF DESIGN AND ENVIRONMENT

August 13, 2021

[Signature]
DIRECTOR OF HIGHWAYS PROJECT IMPLEMENTATION

PRINTED BY THE AUTHORITY
OF THE STATE OF ILLINOIS

MODEL: Default
FILE NAME: dwg\gharoom.dwg\Illinoi.dwg\PWIDOT\Documents\DOT_offices\Distrikt_9\Project\178875\CADD\aleCAD\Sheets\78875-Sheets.dgn

USER NAME = maestl	DESIGNED -	REVISED -
	DRAWN -	REVISED -
PLOT SCALE = 100.0000' / in.	CHECKED -	REVISED -
PLOT DATE = 6/1/2021	DATE -	REVISED -

**STATE OF ILLINOIS
DEPARTMENT OF TRANSPORTATION**

SIGNATURE SHEET

SCALE: SHEET OF SHEETS STA. TO STA.

F.A.P. RTE.	SECTION	COUNTY	TOTAL SHEETS	SHEET NO.
14	135R5-2	ALEXANDER	11	2
CONTRACT NO. 78875			ILLINOIS FED. AID PROJECT	

Prepared By: Charles Stein
DISTRICT STUDIES & PLANS ENGINEER

Examined By: Nancy Lee
DISTRICT LAND ACQUISITION ENGINEER

Examined By: Car Nelson
DISTRICT PROGRAM DEVELOPMENT ENGINEER

Examined By: _____
DISTRICT OPERATIONS ENGINEER

Examined By: V. P. P.
DISTRICT PROJECT IMPLEMENTATION ENGINEER

Examined By: Dayle J. Rusch
DISTRICT CONSTRUCTION ENGINEER

Examined By: R. C. C.
DISTRICT MATERIALS ENGINEER

INDEX OF SHEETS

<u>SHEET NO</u>	<u>DESCRIPTION</u>
1	COVER SHEET
2	SIGNATURE SHEET
3	INDEX OF SHEETS & HIGHWAY STANDARDS
4	GENERAL NOTES, COMMITMENTS & MTD TABLE
5	MIX DESIGN
6-7	SUMMARY OF QUANTITIES
8-9	TYPICAL SECTIONS
10	SCHEDULES
11	DETAILS

HIGHWAY STANDARDS

000001-08	Standard Symbols, Abbreviations and Patterns
001001-02	Areas of Reinforcement Bars
001006	Decimal of an Inch and of a Foot
442201-03	Class C and D Patches
701001-02	Off-Road Operations, 2L, 2W, More Than 15' Away
701006-05	Off-Road Operations, 2L, 2W, 15' to 24" From Pavement Edge
701011-04	Off-Road Moving Operations, 2L, 2W, Day Only
701301-04	Lane Closure, 2L, 2W, Short Time Operations
701306-04	Lane Closure, 2L, 2W, Slow Moving Operations Day Only, for Speeds > 45 MPH
701311-03	Lane Closure 2L, 2W, Moving Operations - Day Only
701336-07	Lane Closure, 2L, 2W, Work Areas in Series, for Speeds > 45 MPH
701901-08	Traffic Control Devices
780001-05	Typical Pavement Markings
781001-04	Typical Applications Raised Reflective Pavement Markers

REV. - MS

USER NAME = maesbl	DESIGNED -	REVISED -
	DRAWN -	REVISED -
PLOT SCALE = 100.0000' / in.	CHECKED -	REVISED +
PLOT DATE = 6/14/2021	DATE -	REVISED +

**STATE OF ILLINOIS
DEPARTMENT OF TRANSPORTATION**

**INDEX OF SHEETS &
HIGHWAY STANDARDS**

SCALE: SHEET OF SHEETS STA. TO STA.

F.A.P. RTE.	SECTION	COUNTY	TOTAL SHEETS	SHEET NO.
14	135RS-2	ALEXANDER	11	3
CONTRACT NO. 78875				
ILLINOIS FED. AID PROJECT				

GENERAL NOTES

FACTORS USED FOR ESTIMATING PLAN QUANTITIES ARE AS FOLLOWS AND SHALL NOT BE USED FOR THE BASIS OF FINAL QUANTITIES:

ALL HOT MIX ASPHALT 2.016 TONS/CU. YD.

THE QUANTITY OF SHORT TERM PAVEMENT MARKING SHOWN IN THE PLANS IS BASED ON ONE APPLICATION EACH FOR THE HMA SURFACE REMOVAL, BINDER COURSE, AND SURFACE COURSE

THE CONTRACTOR SHALL STAMP STATIONING IN THE PROPOSED HOT MIX ASPHALT SURFACE AT 300 FT INTERVALS ON ALTERNATING SIDES OF THE PAVEMENT AND AS DIRECTED BY THE ENGINEER. THE STATION SYMBOL STAMPS USED SHALL BE FURNISHED BY THE CONTRACTOR. THEY SHALL BE 5 1/2 IN. TALL, OF A DESIGN APPROVED BY THE ENGINEER, AND SHALL REMAIN THE PROPERTY OF THE CONTRACTOR.

HMA RESURFACING SHALL BE PLACED IN A SEQUENCE THAT WILL MINIMIZE THE TIME THE CENTERLINE EDGE IS EXPOSED TO TRAFFIC. WHEN AT THE END OF A DAY'S OPERATION THE EXPOSED CENTERLINE EDGE IS GREATER THAN 2,000 FT, THE CONTRACTOR SHALL BE REQUIRED TO PAVE IN THE ADJACENT LANE ON THE FOLLOWING WORK DAY. PRIOR TO WINTER SHUTDOWN, RESURFACING ON ADJACENT LANES IS TO BE BROUGHT UP TO THE SAME ELEVATION.

LONGITUDINAL JOINT SEALANT SHALL BE PLACED UNDER THE HMA SURFACE COURSE

COMMITMENTS: NONE

MTD CROSSING RESTRICTIONS TABLE	
SN & CENTERLINE STATION IL 3 (FAP 14)	MTD CROSSING RESTRICTIONS
SN 002-7003 (STA. 804+81)	Empty MTD*
SN 002-7004 (STA. 820+65)	Empty MTD*
SN 002-7005 (STA. 825+93)	Empty MTD*
SN 002-7006 (STA. 837+55)	Empty MTD*
SN 002-7007 (STA. 847+05)	Empty MTD*

* maximum gross weight of 40 tons

MODEL: Default
 FILE NAME: p:\pub\mroom.dwg
 ILLINOIS DOT
 OFFICE: District 9
 PROJECT: 78875
 CAD: 78875-78875-Sheets.dgn

	USER NAME = maesbl DESIGNED - DRAWN - CHECKED - DATE -	REVISED - REVISED - REVISED - REVISED -	STATE OF ILLINOIS DEPARTMENT OF TRANSPORTATION	GENERAL NOTES, COMMITMENTS & MTD TABLE	F.A.P. RTE. 14	SECTION 135RS-2	COUNTY ALEXANDER	TOTAL SHEETS 11	SHEET NO. 4
	PLOT SCALE = 100,0000' / in. PLOT DATE = 6/14/2021			SCALE: SHEET OF SHEETS STA. TO STA.	ILLINOIS FED. AID PROJECT CONTRACT NO. 78875				

HMA MIXTURE REQUIREMENTS

Location(s):	Hot-Mix Asphalt Surface Course
Mixture Use(s):	Hot-Mix Asphalt Surface Course, Mix C, N70
AB/PG:	PG64-22
ABR % (Max):	See Special Provision
Design Air Voids:	4.0 %, 70 Gyration Design
Mixture Composition: (Mixture Gradation)	IL-9.5mm
Friction Aggregate:	C Surface
Mixture Weight:	112 lbs/Sq Yd/in
Quality Management Pr	QCQA
Sublot Size:	TBD

Location(s):	Hot-Mix Asphalt Binder Course
Mixture Use(s):	Hot-Mix Asphalt Binder Course, N70, IL-19.0
AB/PG:	PG64-22
ABR % (Max):	See Special Provision
Design Air Voids:	4.0 %, 70 Gyration Design
Mixture Composition: (Mixture Gradation)	IL-19.0mm
Friction Aggregate:	None
Mixture Weight:	112 lbs/Sq Yd/in
Quality Management Pr	QCQA
Sublot Size:	TBD

Location(s):	Hot-Mix Asphalt Shoulders
Mixture Use(s):	Hot-Mix Asphalt Surface Course, N30, IL-9.5L
AB/PG:	PG64-22
ABR % (Max):	See Special Provision
Design Air Voids:	4.0 %, 30 Gyration Design
Mixture Composition: (Mixture Gradation)	IL-9.5L
Friction Aggregate:	None
Mixture Weight:	112 lbs./Sq. Yd/in
Quality Management Pr	QCQA
Sublot Size:	NA

MODEL: Default
 FILE NAME: \\paulamr.com\data\illinois.gov\PIWDOT\Documents\DOT_Offices\District 9\Projects\78875\CAOData\CAD\Projects\78875_Sheets.dgn

USER NAME = maestl	DESIGNED -	REVISED -
	DRAWN -	REVISED -
PLOT SCALE = 100,0000' / in.	CHECKED -	REVISED -
PLOT DATE = 6/14/2021	DATE -	REVISED -

**STATE OF ILLINOIS
DEPARTMENT OF TRANSPORTATION**

MIX DESIGN

SCALE: SHEET OF SHEETS STA. TO STA.

F.A.P. RTE.	SECTION	COUNTY	TOTAL SHEETS	SHEET NO.
14	135RS-2	ALEXANDER	11	5
CONTRACT NO. 78875				
ILLINOIS FED. AID PROJECT				

SUMMARY OF QUANTITIES

COUNTY:	ALEXANDER
ROUTE:	FAP 14 (IL 3)
FUNDING:	80% FEDERAL 20% STATE
LOCATION:	RURAL
	ROADWAY
	0005

CODE NUMBER	ITEM DESCRIPTION	UNIT	
40600290	BITUMINOUS MATERIALS (TACK COAT)	POUND	10,681
40600990	TEMPORARY RAMP	SQ YD	28
40603085	HOT-MIX ASPHALT BINDER COURSE, IL-19 0, N70	TON	1,524
40604052	HOT-MIX ASPHALT SURFACE COURSE, IL-9.5, MIX "C", N70	TON	1,003
44000164	HOT-MIX ASPHALT SURFACE REMOVAL, 3 3/4"	SQ YD	15,823
44200156	PAVEMENT PATCHING, TYPE II, 13 INCH	SQ YD	435
44200160	PAVEMENT PATCHING, TYPE III, 13 INCH	SQ YD	40
44200217	PAVEMENT PATCHING, TYPE II, 20 INCH	SQ YD	53
48203100	HOT-MIX ASPHALT SHOULDERS	TON	832
67100100	MOBILIZATION	L SUM	1.0
70100460	TRAFFIC CONTROL AND PROTECTION, STANDARD 701306	L SUM	1.0
70100600	TRAFFIC CONTROL AND PROTECTION, STANDARD 701336	L SUM	1.0
70107025	CHANGEABLE MESSAGE SIGN	CAL DAY	14

MODEL: Default
 FILE NAME: P:\p1gmscom.dct\illinois.gov\PIV\DOT\Documents\DOT_Offices\District 9\Project\78875\CADD\31\CAD\Sheet\78875_Sheets.dgn

REV. - MS

USER NAME = maesbl	DESIGNED -	REVISED -	STATE OF ILLINOIS DEPARTMENT OF TRANSPORTATION	SUMMARY OF QUANTITIES	F.A.P. RTE.	SECTION	COUNTY	TOTAL SHEETS	SHEET NO.	
PLOT SCALE = 100.0000' / in.	DRAWN -	REVISED -			14	135RS-2	ALEXANDER	11	6	
PLOT DATE = 6/14/2021	CHECKED -	REVISED +			CONTRACT NO. 78875					
	DATE -	REVISED +			ILLINOIS FED. AID PROJECT					

SUMMARY OF QUANTITIES - CONT

COUNTY:	ALEXANDER
ROUTE:	FAP 14 (IL 3)
FUNDING:	80% FEDERAL 20% STATE
LOCATION:	RURAL
	ROADWAY
	0005

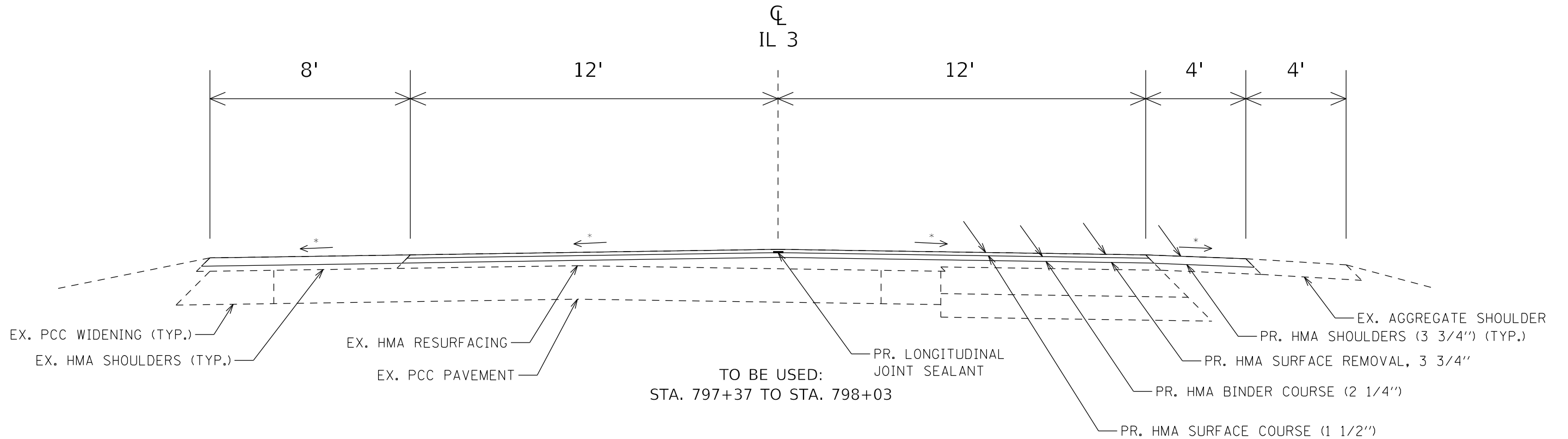
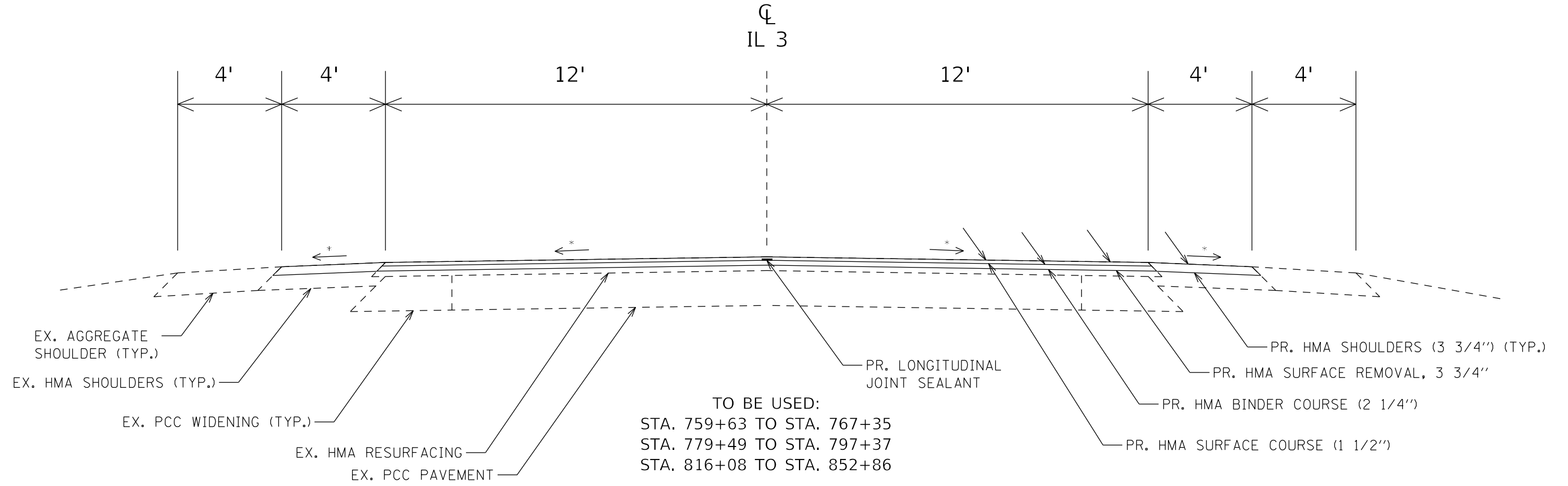
CODE NUMBER	ITEM DESCRIPTION	UNIT	QUANTITY
70300100	SHORT TERM PAVEMENT MARKING	FOOT	5,358.0
70300150	SHORT TERM PAVEMENT MARKING REMOVAL	SQ FT	1,786.0
70300220	TEMPORARY PAVEMENT MARKING - LINE 4"	FOOT	24,883.0
* 78001110	PAINT PAVEMENT MARKING - LINE 4"	FOOT	24,883.0
* 78100100	RAISED REFLECTIVE PAVEMENT MARKER	EACH	119.0
78300200	RAISED REFLECTIVE PAVEMENT MARKER REMOVAL	EACH	119.0
X7030005	TEMPORARY PAVEMENT MARKING REMOVAL	SQ FT	8,296.0
Z0033700	LONGITUDINAL JOINT SEALANT	FOOT	4,450.0
Z0034105	MATERIAL TRANSFER DEVICE	TON	2,527.0

* SPECIALTY ITEM

MODEL: Default
 FILE NAME: p:\pub\amromm.dwg
 ILLINOIS DOT ILLINOIS DOT ILLINOIS DOT ILLINOIS DOT ILLINOIS DOT
 PROJECT: 78875 CAD Data\CAD\Projects\78875-Sheets.dgn

USER NAME = maesbl PLOT SCALE = 100,0000 ' / in. PLOT DATE = 6/14/2021	DESIGNED - DRAWN - CHECKED - DATE -	REVISED - REVISED - REVISED - REVISED -	STATE OF ILLINOIS DEPARTMENT OF TRANSPORTATION	SUMMARY OF QUANTITIES	F.A.P. RTE. 14	SECTION 135RS-2	COUNTY ALEXANDER	TOTAL SHEETS 11	SHEET NO. 7
SCALE:				SHEET	OF	SHEETS	STA.	TO STA.	
ILLINOIS FED. AID PROJECT								CONTRACT NO. 78875	

* MATCH EXISTING SLOPE



MODEL: Default
 FILE NAME: p:\pub\harronm.dwg
 PLOT DATE: 6/14/2021
 PLOT SCALE: = 100,0000' / in.
 USER NAME: = maesbl
 DESIGNED: -
 DRAWN: -
 CHECKED: -
 DATE: -
 REVISED: -
 REVISED: -
 REVISED: -
 REVISED: -

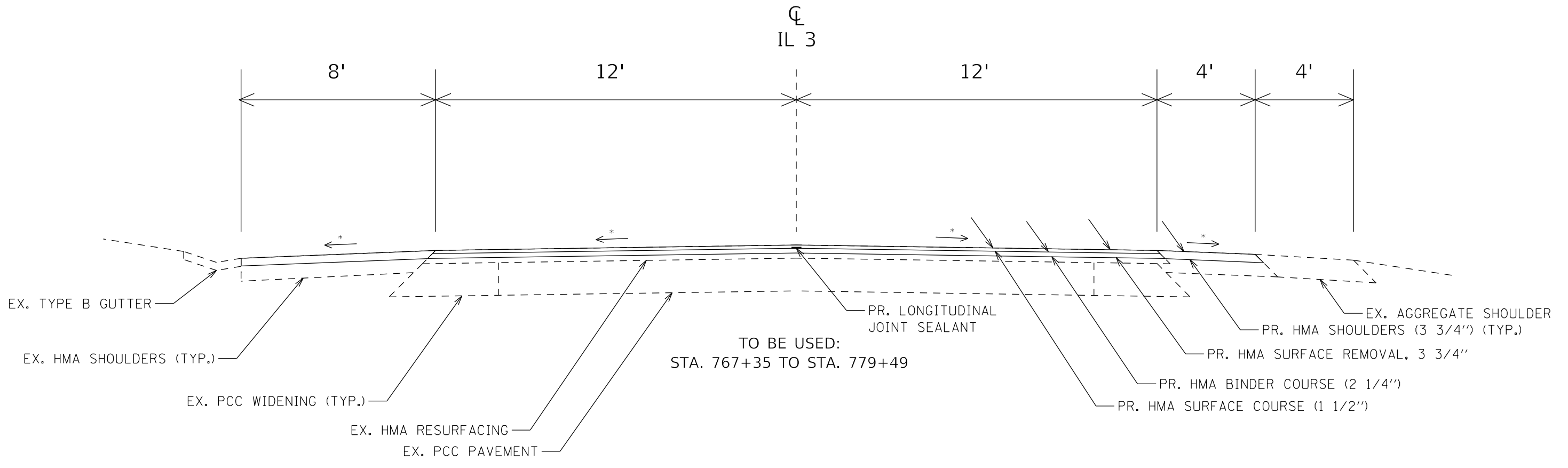
**STATE OF ILLINOIS
DEPARTMENT OF TRANSPORTATION**

TYPICAL SECTIONS

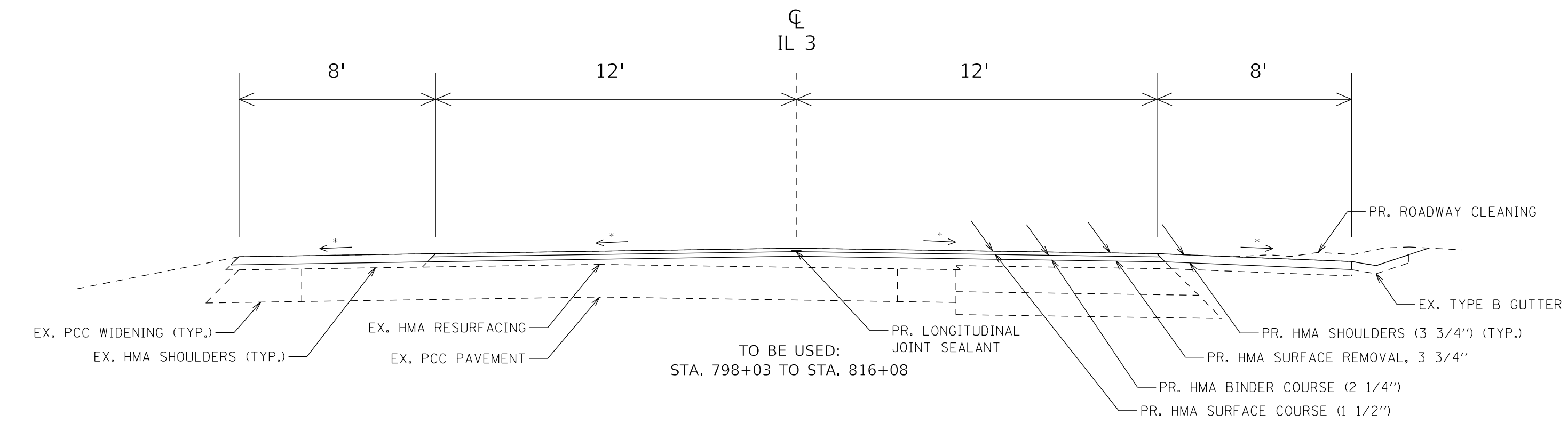
SCALE: SHEET OF SHEETS STA. TO STA.

F.A.P. RTE.	SECTION	COUNTY	TOTAL SHEETS	SHEET NO.
14	135RS-2	ALEXANDER	11	8
CONTRACT NO. 78875				
ILLINOIS FED. AID PROJECT				

* MATCH EXISTING SLOPE



TO BE USED:
STA. 767+35 TO STA. 779+49



TO BE USED:
STA. 798+03 TO STA. 816+08

MODEL: Default
 FILE NAME: p:\u0000\m00000.dwg
 PLOT DATE: 6/14/2021
 PROJECT: 78875-CA00DataCAD\Projects\78875-Sheets.dgn

USER NAME = maesbl	DESIGNED -	REVISED -
	DRAWN -	REVISED -
PLOT SCALE = 100,0000' / in.	CHECKED -	REVISED -
PLOT DATE = 6/14/2021	DATE -	REVISED -

**STATE OF ILLINOIS
DEPARTMENT OF TRANSPORTATION**

TYPICAL SECTIONS

SCALE: SHEET OF SHEETS STA. TO STA.

F.A.P. RTE.	SECTION	COUNTY	TOTAL SHEETS	SHEET NO.
14	135RS-2	ALEXANDER	11	9
CONTRACT NO. 78875				
ILLINOIS FED. AID PROJECT				

RESURFACING SCHEDULE

LOCATION			LENGTH	HMA SURFACE REMOVAL, 3 3/4"	HMA BINDER COURSE, 2 1/4"	HMA SURFACE COURSE, 1 1/2"	HMA SHOULDER, 3 3/4"	TEMP RAMP	MATERIAL TRANSFER DEVICE	LONGITUDINAL JOINT SEALANT	BIT. MAT'L (TACK COAT)
STATION TO STATION			FEET	SQ YD	TON	TON	TON	SQ YD	TON	FOOT	POUND
759+63	TO	767+35	772	2745	265	174	145	14	439	772	1853
767+35	TO	779+49	1214	4856	416	274	340		690	1214	3278
779+49	TO	797+37	1788	6358	612	403	334		1015	1788	4292
797+37	TO	798+03	66	294	23	15	25		38	66	198
798+03	TO	816+08	1805	7220	618	407	506		1025	1805	4874
816+08	TO	852+86	3678	13078	1259	829	687	14	2088	3678	8828
TOTAL				15823	1524	1003	832	28	2527	4450	10681

PAVEMENT MARKING SCHEDULE

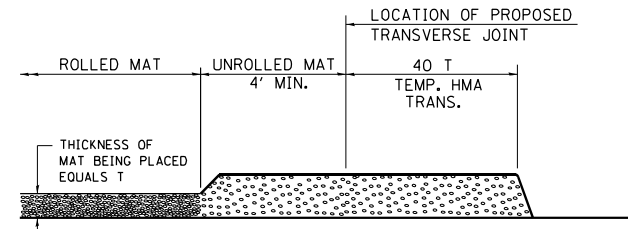
LOCATION			LENGTH	PAINT PAVEMENT MARKING - LINE 4"			RRPM	RRPM REMOVAL	SHORT TERM PAVT MARKING REMOVAL	SHORT TERM PAVEMENT MARKING	TEMPORARY PAVEMENT MARKING, LINE 4"	TEMPORARY PAVT MARKING REMOVAL
				SOLID		SKIP DASH						
				WHITE	YELLOW	YELLOW						
STATION	TO	STATION	FOOT	FOOT	FOOT	FOOT	EACH	EACH	SQ FT	FOOT	FOOT	SQ FT
759+63	TO	772+00	1237	2474	0	495	16	16	124	372	2969	990
772+00	TO	783+46	1146	2292	1146	459	15	15	242	726	3897	1299
783+46	TO	785+11	165	330	330	0	3	3	64	192	660	220
785+11	TO	796+07	1096	2192	1096	439	14	14	220	660	3727	1243
796+07	TO	852+86	5679	11358	0	2272	71	71	1136	3408	13630	4544
SUBTOTAL				18646	2572	3665	119	119	1786	5358	24883	8296
TOTAL				24883								

MODEL: Default
 FILE NAME: p:\pub\mroom.dwg
 ILLINOIS.GOV:PWIDOT\Documents\DOT_Offices\District 9\Projects\78875\CAOData\CAD\Project\78875-Sheets.dgn

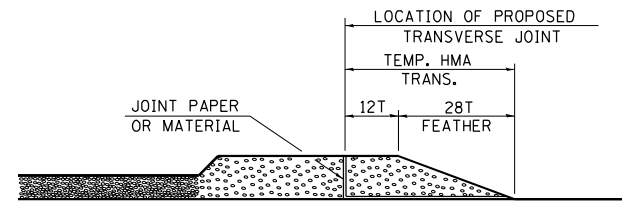
USER NAME = maesbl PLOT SCALE = 100,0000' / in. PLOT DATE = 6/14/2021	DESIGNED - DRAWN - CHECKED - DATE -	REVISED - REVISED - REVISED - REVISED -	STATE OF ILLINOIS DEPARTMENT OF TRANSPORTATION	SCHEDULES	SCALE:	SHEET OF SHEETS STA. TO STA.	F.A.P. RTE. SECTION COUNTY TOTAL SHEETS SHEET NO. 14 135RS-2 ALEXANDER 11 10 CONTRACT NO. 78875 ILLINOIS FED. AID PROJECT
---	--	--	---	------------------	--------	------------------------------	--

TEMPORARY HOT-MIX ASPHALT TRANSITIONS

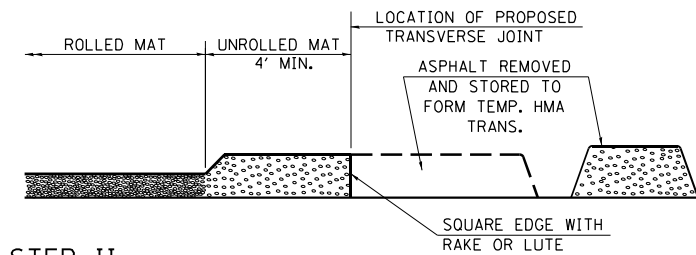
ILLINOIS STANDARD



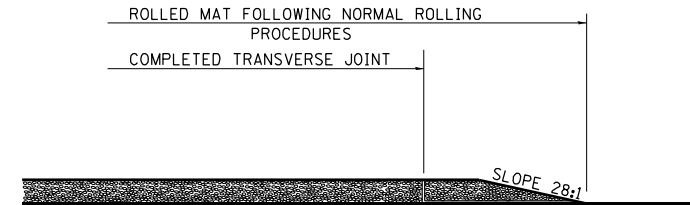
- STEP I**
1. PLACE HOT-MIX ASPHALT MAT, LENGTH 40 TIMES THE THICKNESS OF THE MAT BEING PLACED PAST THE PROPOSED TRANSVERSE JOINT LOCATION USING NORMAL OPERATING PROCEDURES.
 2. EXTREME CARE SHOULD BE TAKEN TO MAINTAIN ENOUGH MATERIAL IN FRONT OF THE SCREED TO MAINTAIN REQUIRED PAVING DEPTH.



- STEP III**
1. JOINT PAPER OR OTHER PRESELECTED JOINT MATERIAL IS THEN PLACED IN THE CLEARED AREA AND THE EXCESS ASPHALT USED TO HAND FORM A TRANSITION TO THE DIMENSIONS SHOWN ABOVE.
 2. NOTE THAT IN CONSTRUCTING THE TRANSITION, THE MAT DEPTH IS CONTINUED AS PART OF THE TRANSITION BEFORE FORMING THE FEATHER.



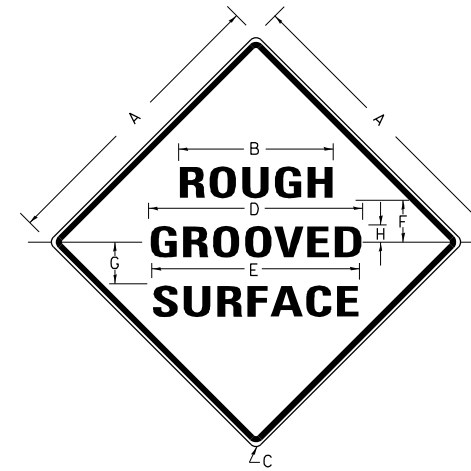
- STEP II**
1. MOVE THE PAVER OUT OF THE WAY AND REMOVE THE ASPHALT FROM THE AREA OF THE PROPOSED TEMPORARY HOT-MIX ASPHALT TRANSITION.
 2. SQUARE UP THE END OF THE MAT WITH A RAKE OR LUTE.
 3. NOTE THAT THE MAT WITHIN 4' OF THE END OF JOINT IS NOT TO BE ROLLED AT THIS TIME.



- STEP IV**
1. COMPLETE TEMPORARY TRANSITION BY ROLLING.
 2. TO RESUME PAVING, AT THE JOINT, REMOVE TEMPORARY TRANSITION AND DISPOSE OF THE MATERIAL ACCORDING TO ART. 202.03 OF THE STD. SPECS. (COST INCLUDED IN THE CONTRACT).
 3. CONSTRUCTING THE TEMPORARY TRANSITIONS WILL NOT BE PAID FOR SEPARATELY IN ACCORDANCE WITH ARTICLE 406.14 OF THE STANDARD SPECIFICATIONS.

REVISIONS	
REDRAWN	2-15-89
REVISED	8-16-94
REVISED	01-09-07
RESIZED	05-8-08
REVISED	05-16-13

STD. 9-26



NOTES:

PRIOR TO ALLOWING TRAFFIC ON ANY PORTION OF THE ROADWAY THAT HAS BEEN COLDMILLED, THE CONTRACTOR SHALL HAVE ERECTED "ROUGH GROOVED SURFACE" SIGNS THAT CONFORM TO THE ABOVE DETAILS. A MINIMUM OF ONE SIGN AT EACH END OF THE IMPROVEMENT WILL BE REQUIRED. THE CONTRACTOR SHALL MAINTAIN THE "ROUGH GROOVED SURFACE" SIGNS UNTIL THE COLDMILLED SURFACE IS COVERED WITH LEVELING BINDER OR SURFACE COURSE.

IF AT ANY TIME THE SIGNS ARE IN PLACE BUT NOT APPLICABLE, THEY SHALL BE TURNED FROM THE VIEW OF MOTORISTS OR COVERED AS DIRECTED BY THE ENGINEER.

THE COST OF FURNISHING, ERECTING, MAINTAINING, AND REMOVING THE REQUIRED SIGNS SHALL BE INCLUDED IN THE CONTRACT.

COLORS:

LEGEND AND BORDER- BLACK NON-REFLECTORIZED
BACKGROUND- ORANGE REFLECTORIZED

SIGN SIZE	DIMENSIONS							
	A	B	C	D	E	F	G	H
48X48	48.0	24.1	3.0	34.0	33.0	6.0	13.0	3.5

SIGN SIZE	SERIES LINES			MAR-GIN	BOR-DER	BLANK STD.
	1	2	3			
48X48	7C	7C	7C	0.8	1.2	B4-48D

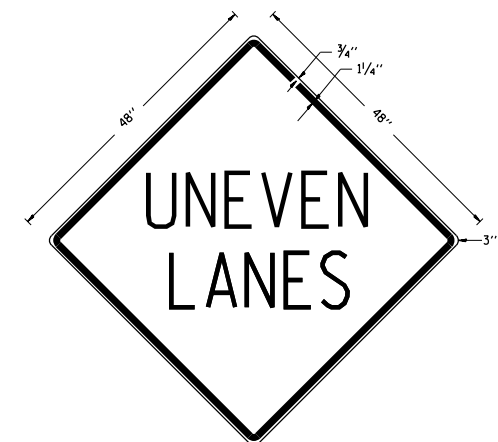
ALL DIMENSIONS IN INCHES

REVISIONS	
REDRAWN	2-15-89
REVISED	4-6-93
REVISED	3-27-08
REVIEWED	5-17-13

STD. 9-39

UNEVEN LANES SIGN

W8-11 (48" x 48")



COLORS:

LEGEND AND BORDER - BLACK NON-REFLECTORIZED
BACKGROUND - ORANGE REFLECTORIZED

NOTE: PRIOR TO ALLOWING TRAFFIC ON ANY PORTION OF THE ROADWAY THAT HAS BEEN COLDMILLED OR BEFORE RESURFACING OPERATIONS BEGIN, THE CONTRACTOR SHALL HAVE ERECTED "UNEVEN PAVEMENT" SIGNS THAT CONFORM TO THE ABOVE DETAILS. A MINIMUM OF ONE SIGN AT EACH END OF THE IMPROVEMENT WILL BE REQUIRED. THE CONTRACTOR SHALL MAINTAIN THE "UNEVEN PAVEMENT" SIGNS UNTIL THE RESURFACING OPERATIONS ARE COMPLETED.

IF AT ANY TIME THE SIGNS ARE IN PLACE BUT NOT APPLICABLE, THEY SHALL BE TURNED FROM THE VIEW OF MOTORISTS OR COVERED AS DIRECTED BY THE ENGINEER.

THE COST OF FURNISHING, ERECTING, MAINTAINING, AND REMOVING THE REQUIRED SIGNS SHALL BE INCLUDED IN THE CONTRACT.

REVISIONS	
DRAWN	2-15-89
REVISED	4-06-93
REDESIGNED	7-23-04
RESIZED	5-08-08
REVIEWED	5-17-13

STD. 9-41

MODEL: Default
FILE NAME: p:\pub\lhamon.dwg
PROJECT: 78875-CA0Data\CAD\Drawings\78875-Sheets.dgn

USER NAME = maesbl	DESIGNED -	REVISED -
	DRAWN -	REVISED -
PLOT SCALE = 100,0000' / in.	CHECKED -	REVISED -
PLOT DATE = 6/14/2021	DATE -	REVISED -

STATE OF ILLINOIS
DEPARTMENT OF TRANSPORTATION

DISTRICT DETAILS

SCALE: SHEET OF SHEETS STA. TO STA.

F.A.P. RTE.	SECTION	COUNTY	TOTAL SHEETS	SHEET NO.
14	135RS-2	ALEXANDER	11	11
CONTRACT NO. 78875				
ILLINOIS FED. AID PROJECT				