

ROUTE NO.	SECTION	CITY	TOTAL SHEETS	SHEET NO.
	00-00001-00-PP	OREANA	46	17
FED. ROAD DIST. NO.	ILLINOIS		PROJECT	HPP-0913 (001)

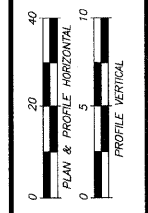
CONTRACT NUMBER 95537

NOTE: 24" S.S. from Sta. 100+00.0 to Sta. 100+74.0 shall be Reinforced Concrete Storm Drain in accordance with Section 1042 of the Standard Specifications. The joint shall be a Rubber Gasket. Payment shall be for Storm Sewer, Class B, Type I, 24"

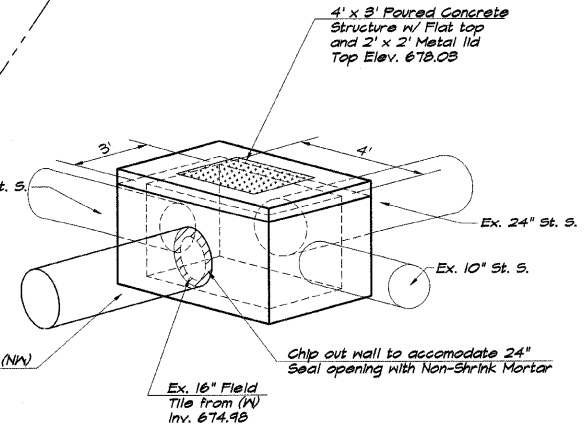
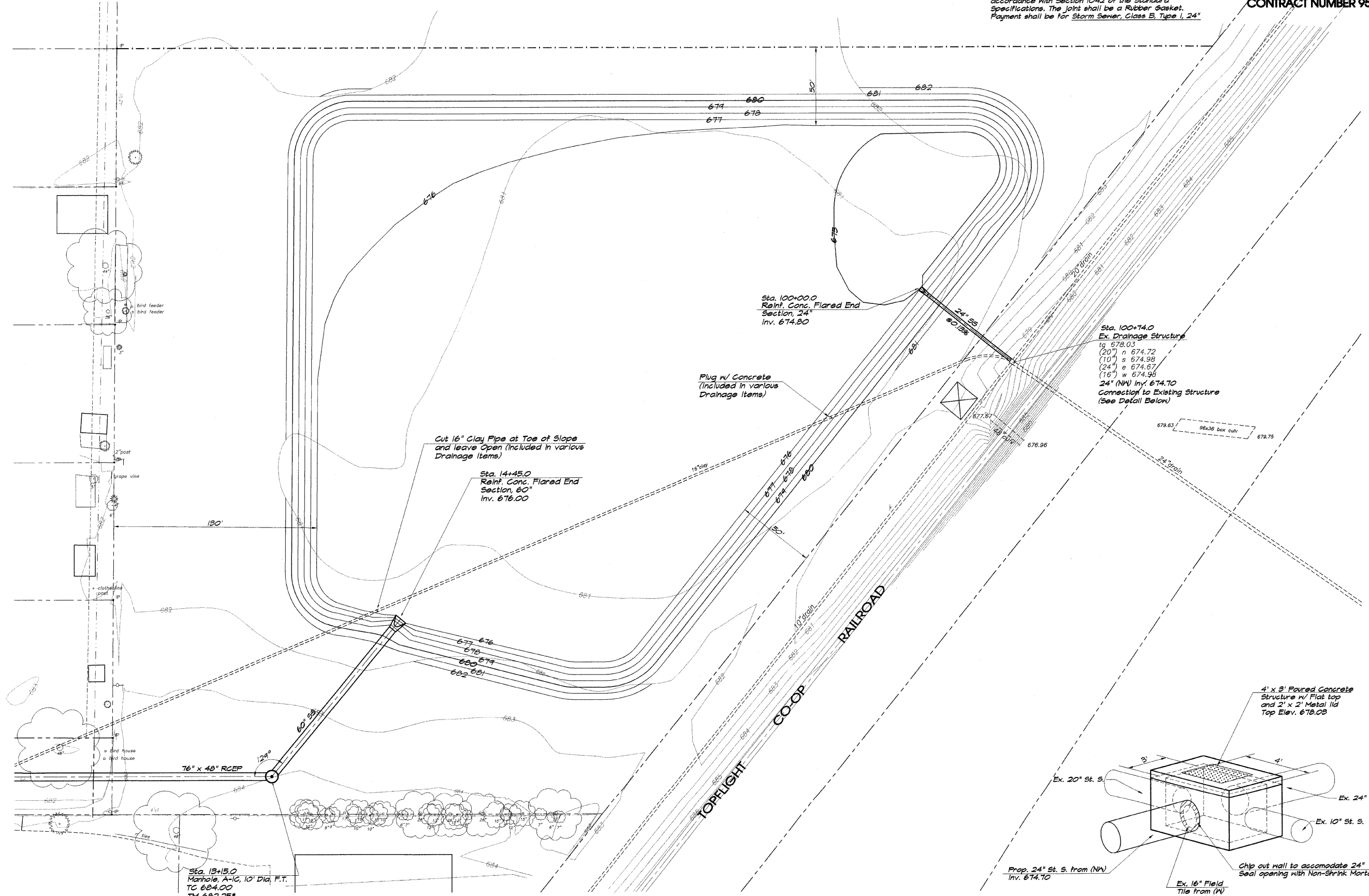
DESIGNED	SCALE	DATE	DATE	JOB NO.
MHP	1" = 50'	Feb. 2004	Feb. 2004	08-CAGAOX
DRAWN	DATE	DATE	JOB NO.	
Les Jenkins	Feb. 2004	Feb. 2004	08-CAGAOX	
FIELD BOOK	FIELD BOOK	FIELD BOOK	FIELD BOOK	FIELD BOOK
ITTC	ITTC	ITTC	ITTC	ITTC

BAINBRIDGE & ASSOCIATES, INC.
 Consulting Engineers
 1670 SOUTH TAYLORVILLE ROAD
 DECATUR ILLINOIS
 Illinois License 184-001266

VILLAGE OF OREANA, ILLINOIS
 SAFE TIA-LU PROJECT
OUTLET SEWER PROFILE
 STATION 608+00.00 TO 13+96.0



SHEET NO.
17
OF
46



Sta. 13+15.0
 Manhole, A=10, 10' Dia, F.T.
 TC 684.00
 TM 682.25*
 Inv. (W) 676.12
 Inv. (NE) 676.12
 * Bot. of F.T.