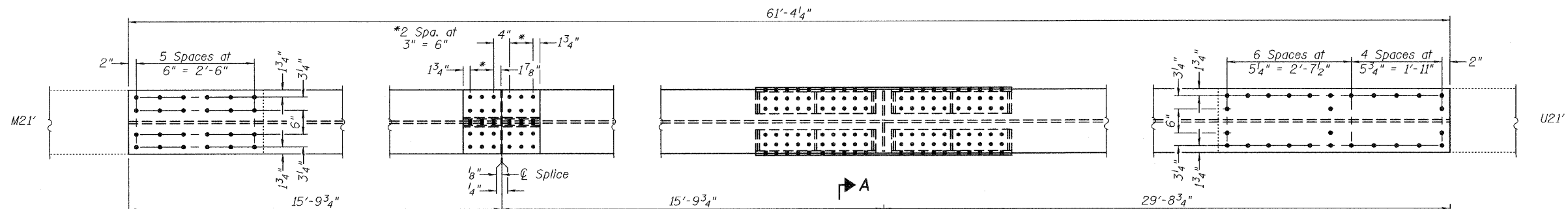
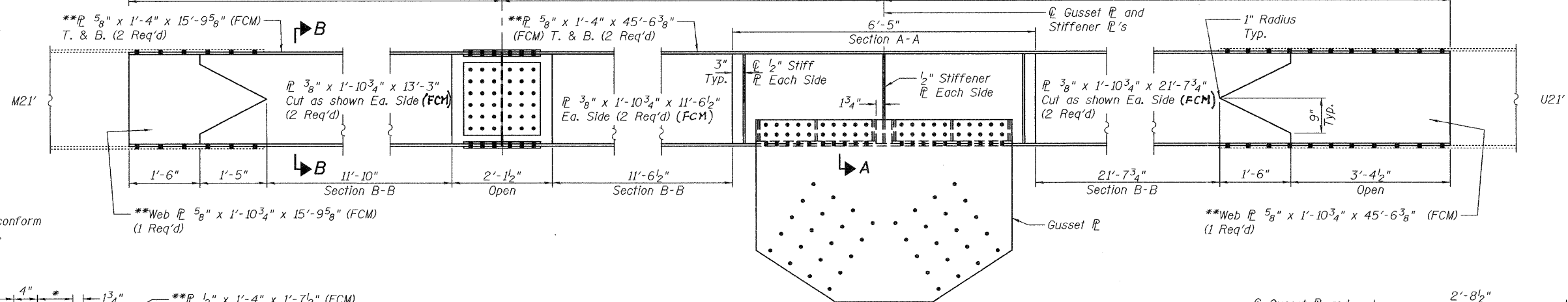


TOP PLAN

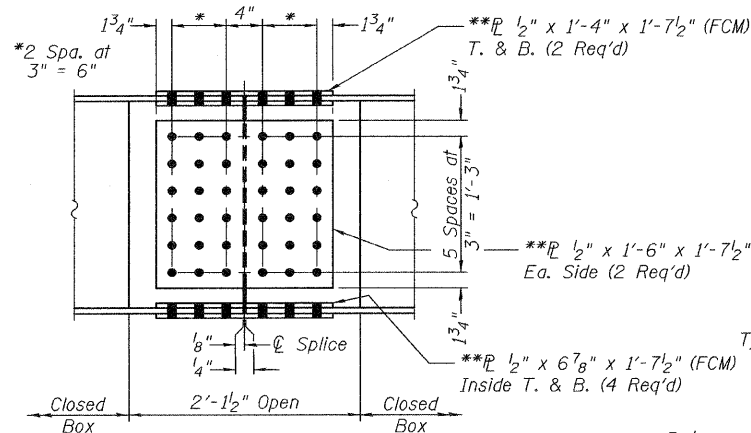


ELEVATION



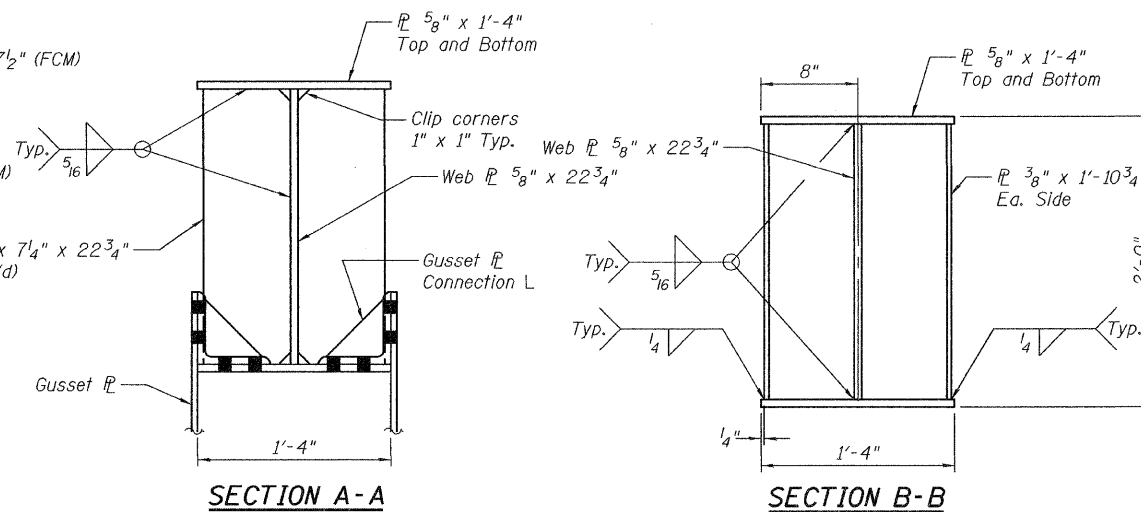
**Structural Steel shall conform to AASHTO M270 Gr. 50.

SUPPORT PLAN AND ELEVATION



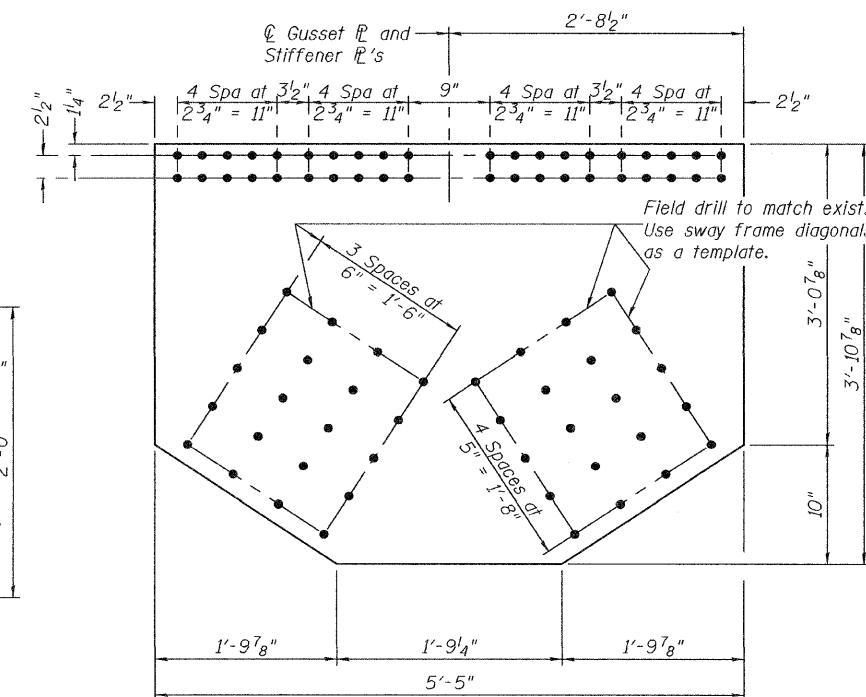
SPLICE DETAIL

Note:
The new member U21'-M21' may be installed in one piece. In order for the member to fit properly into position, the Contractor shall carefully measure the clear distance between the inside faces of the gussets at U21'-M21' and adjust fabrication dimensions of U21'-M21' to ensure a tight fit of the member between gussets. All material designated "FCM" shall conform to Notch Toughness Requirements for Zone 2 (CVN of 25 ft-lbs. at 40°F)



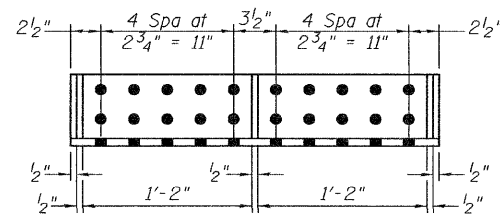
SECTION A-A

SECTION B-B



GUSSET PLATE

PL 1/2" x 3'-10 7/8" x 5'-5" (2 Req'd)



GUSSET PLATE CONNECTION L

L 6x6x5/8 x 2'-6 1/2" (4 Req'd)

DESIGNED - I.J.L.	EXAMINED - <i>Carl Boyer</i>
CHECKED - G.G.E.	ENGINEER OF STRUCTURAL SERVICES
DRAWN - Drew Christopher	PASSED - <i>Ralph E. Anderson</i>
CHECKED - I.J.L.	ENGINEER OF BRIDGES AND STRUCTURES

DATE - August 11, 2010

**STATE OF ILLINOIS
DEPARTMENT OF TRANSPORTATION**

**REPAIR DETAILS
SN 002-0022**
SHEET NO. 3 OF 6 SHEETS

F.A. RTE.	SECTION	COUNTY	TOTAL SHEETS	SHEET NO.
57	B9 BAYVIEW REPAIR 2010-1	Alexander	10	7
CONTRACT NO. 78220			ILLINOIS FED. AID PROJECT	