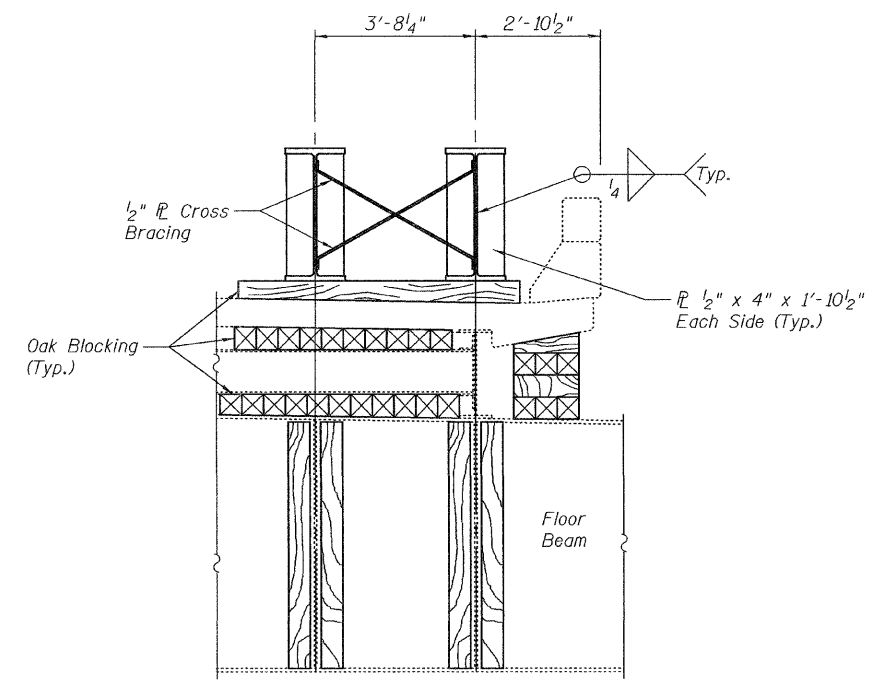
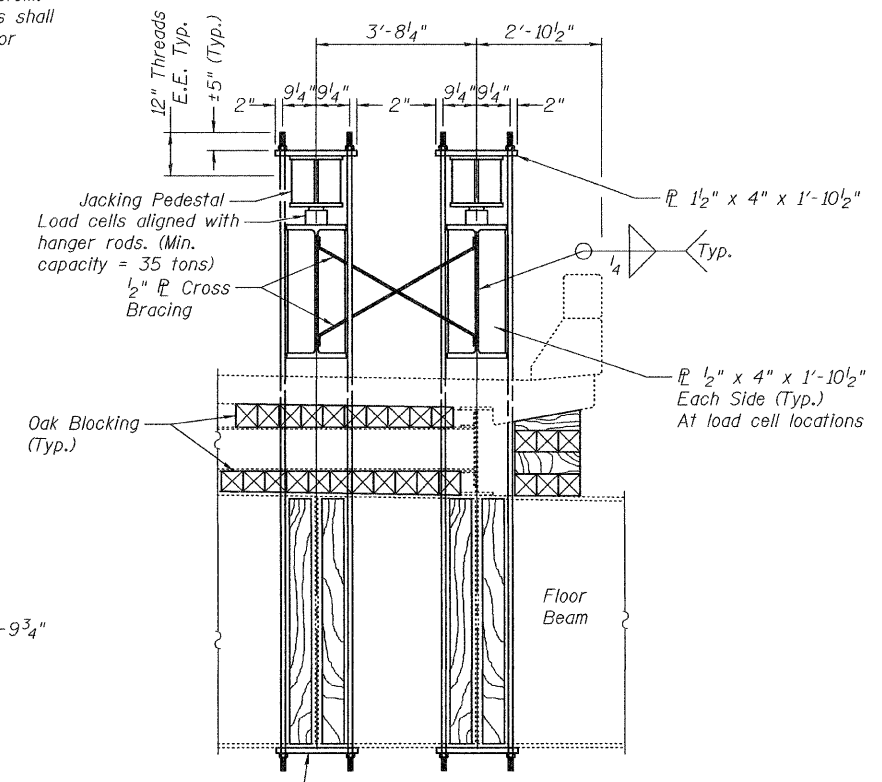


FLOORBEAM TEMPORARY SUPPORT ELEVATION
(Looking West)

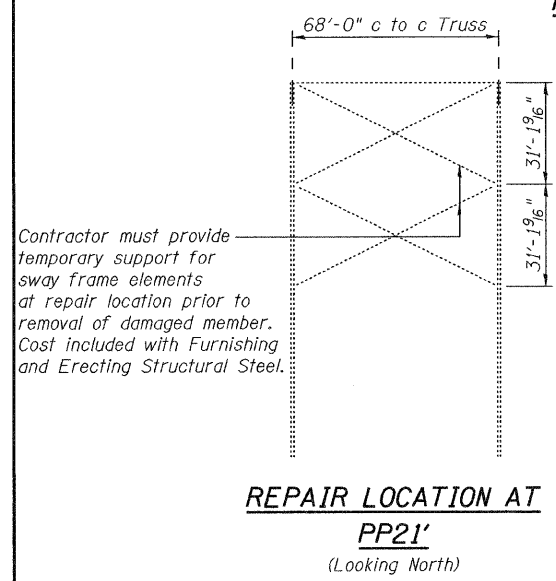
Note:
Temporary support system for the floor beam and lower chord at U21' and M21' shown on this sheet is a suggested system. If the Contractor elects to use a different system, plans shall be submitted to the Bureau of Bridges and Structures for approval prior to commencement of the removal and replacement of the damaged vertical member.



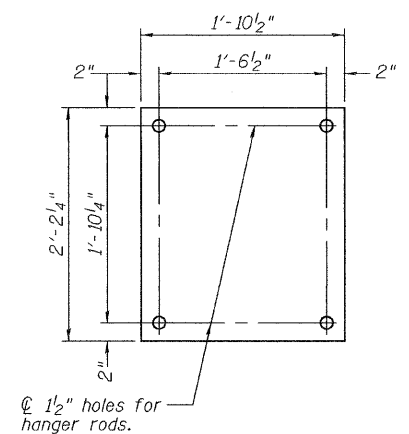
SECTION A-A
(L20' and L22')



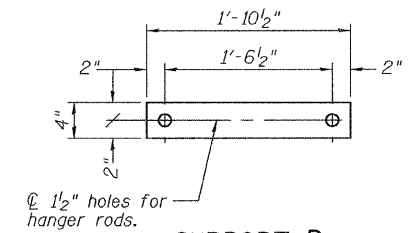
SECTION B-B
(L21')



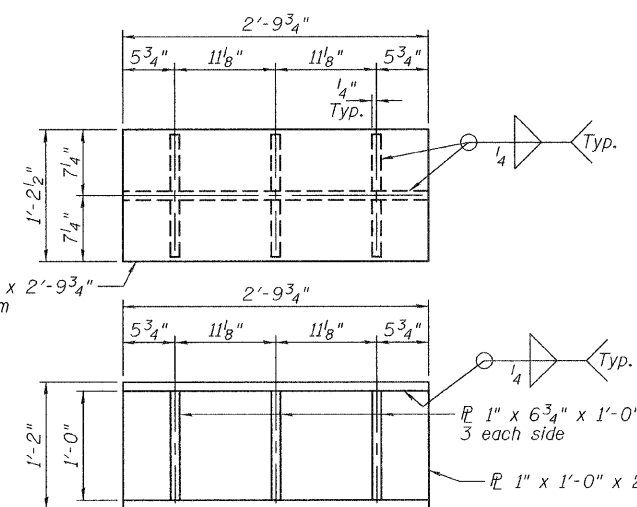
REPAIR LOCATION AT PP21'
(Looking North)



SUPPORT PLATE
(2 Req'd)



SUPPORT PLATE
(4 Req'd)



JACKING PEDESTAL
(2 Assemblies Req'd)

DESIGNED - I.J.L.	EXAMINED - <i>Carl Proyer</i>	DATE - August 11, 2010	STATE OF ILLINOIS DEPARTMENT OF TRANSPORTATION	TEMP SUPPORT DETAILS SN 002-0022	F.A. RTE. 57	SECTION 69	COUNTY Alexander	TOTAL SHEETS 10	SHEET NO. 6
CHECKED - G.G.E.	PASSED - <i>Ralph E. Anderson</i>				SHEET NO. 2 OF 6 SHEETS	CONTRACT NO. 78220		ILLINOIS FED. AID PROJECT	
DRAWN - Drew Christopher									
CHECKED - I.J.L. G.G.E.									

SLT-99-001-10