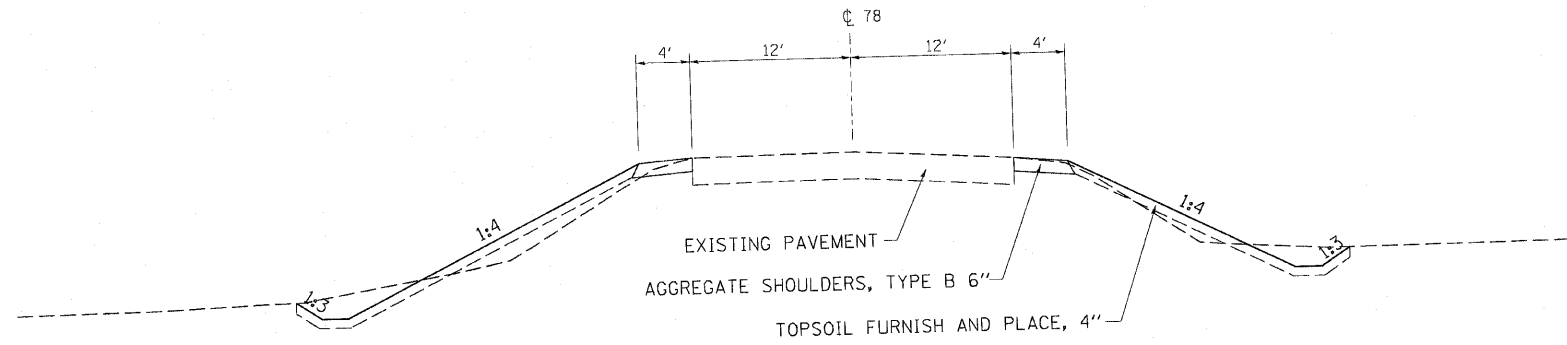


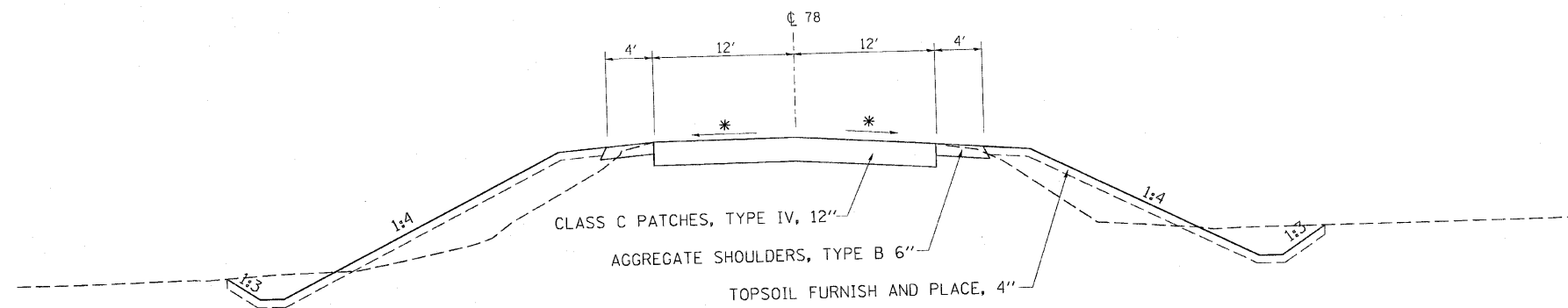
TYPICAL SECTIONS

STA. 755+34 - 755+92.19
 STA. 756+27.19 - 756+86



STA. 755+92.19 - 756+27.19

* MATCH EXISTING CROSS SLOPE



FILE NAME =
 USER NAME = cushmanbw
 PLOT SCALE = 20.0000' / IN.
 PLOT DATE = Thu Jun 24 08:41:07 2010

DESIGNED -	REVISED -
DRAWN -	REVISED -
CHECKED -	REVISED -
DATE -	REVISED -

STATE OF ILLINOIS
 DEPARTMENT OF TRANSPORTATION

TYPICAL SECTIONS

SCALE: SHEET NO. OF SHEETS STA. TO STA.

F.A.P. RTE.	SECTION	COUNTY	TOTAL SHEETS	SHEET NO.
22	15T-1	WHITESIDE	17	4
ILLINOIS FED. AID PROJECT CONTRACT NO. 64F35				