

ROUTE NO.	SECTION	COUNTY	TOTAL SHEETS	SHEET NO.	SHEET NO. 18 23 SHEETS
FAP 303 IL 173	2010-086-F	LAKE	29	29	
FED. ROAD DIST. NO. 7	ILLINOIS	FED. AID PROJECT-			

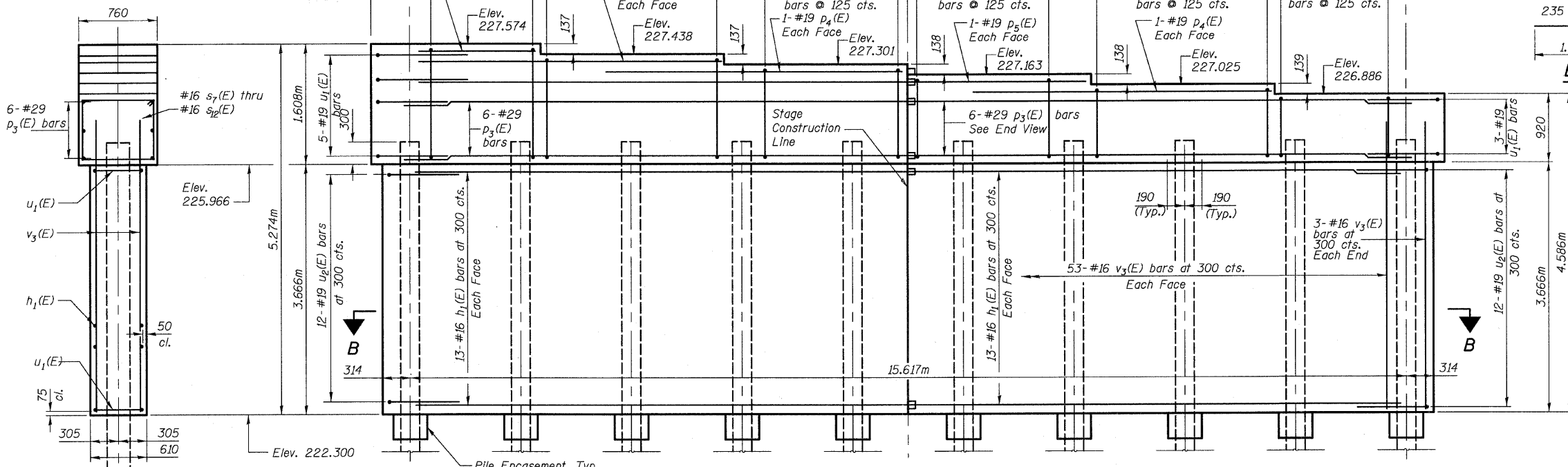
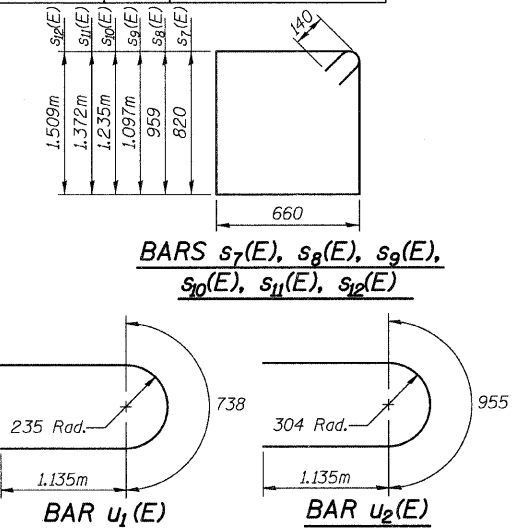
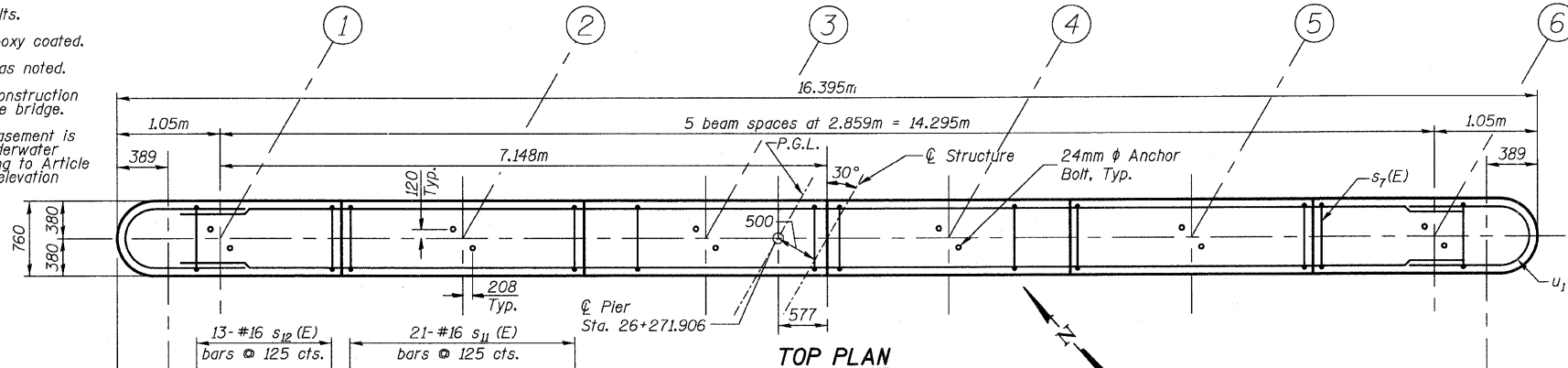
NOTES

Pour steps monolithically with cap.
Place reinforcement in cap to miss anchor bolts.
Reinforcement bars designated (E) shall be epoxy coated.
All dimensions are in millimeters (mm) except as noted.
Stage Construction Line differs from Stage Construction Line in the deck above due to the skew of the bridge.
If a portion of the pier wall or concrete encasement is under water, reinforcement may be placed underwater into forms. Concrete shall be tremied according to Article 503.08 of the Standard Specifications to an elevation of 300 above the water line at the time of construction.
See Sheet 21 for Pile Encasement details.

PILE DATA

Type: HP 310x79
Allowable Capacity Required: 500kN
Allowable Capacity Available: 530kN
Est. Length: 18.6m
No. Production Piles Required: 9
No. Test Piles: 1

STATE OF ILLINOIS
DEPARTMENT OF TRANSPORTATION



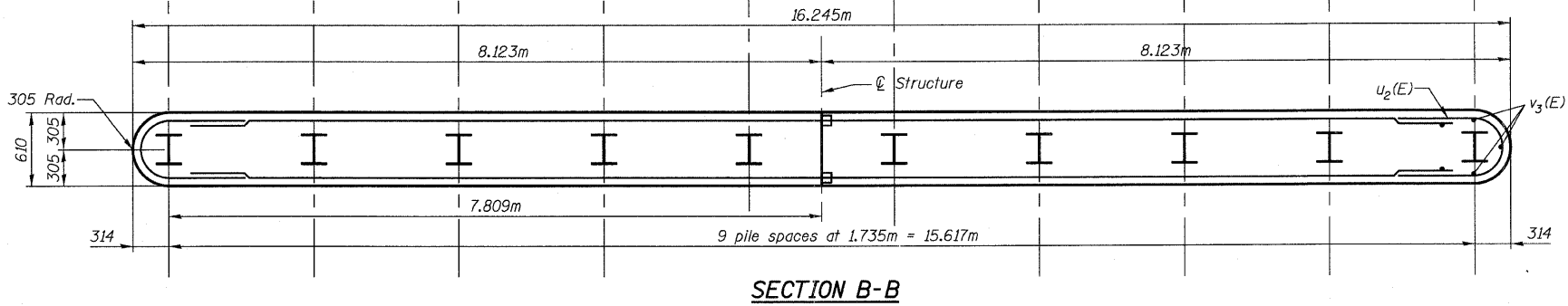
PIER BILL OF MATERIAL

Bar	No.	Size	Length (m)	Shape
h ₁ (E)	52	#16	7.603	□
p ₃ (E)	12	#29	7.603	□
p ₄ (E)	6	#19	3.620	□
p ₅ (E)	2	#19	2.779	□
p ₈ (E)	2	#19	2.060	□
s ₇ (E)	13	#16	3.240	□
s ₈ (E)	21	#16	3.518	□
s ₉ (E)	17	#16	3.794	□
s ₁₀ (E)	17	#16	4.070	□
s ₁₁ (E)	21	#16	4.344	□
s ₁₂ (E)	13	#16	4.618	□
u ₁ (E)	8	#19	3.250	□
u ₂ (E)	24	#19	3.008	□
v ₃ (E)	108	#16	4.018	□
Underwater Structure Excavation Protection, Location 1		Each	1	
Concrete Structures		m ³	53	
Concrete Encasement		m ³	3.0	
Furnishing Steel Piles, HP310x79		Meter	170	
Driving Steel Piles		Meter	170	
Test Pile, HP310x79		Each	1	
Reinforcement Bars, Epoxy Coated		kg	2,240	

Reinforcement Bars designated (E) shall be epoxy coated.

END VIEW

DESIGNED	JRF
CHECKED	RCJ
DRAWN	RDS
CHECKED	JRF



PIER
FAP 303 IL. ROUTE 173
OVER EAST BOAT CHANNEL
SECTION 2010-086-F
LAKE COUNTY
STATION 26+271.906
STRUCTURE NO. 049-0198