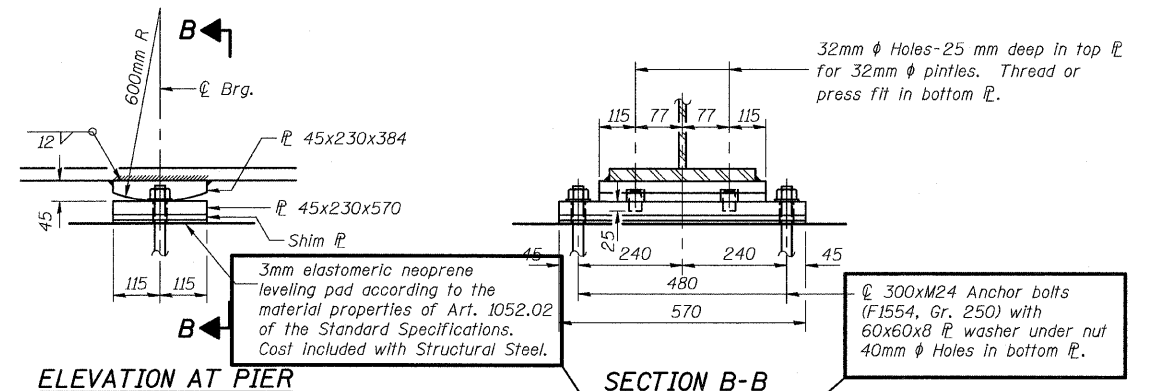


STATE OF ILLINOIS
DEPARTMENT OF TRANSPORTATION

ROUTE NO.	SECTION	COUNTY	TOTAL SHEETS	SHEET NO.	SHEET NO. 15
FAP 303 IL 173	2010-086-F	LAKE	29	26	23 SHEETS
FED. ROAD DIST. NO. 7	ILLINOIS	FED. AID PROJECT-			

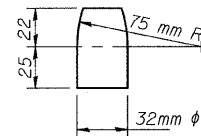


ELEVATION AT PIER

SECTION B-B

FIXED BEARING
(6 Required)

Not Included in this Contract



PINTLE

NOTES

Mass of bearing plates included in Furnishing Structural Steel.

Two 3 mm adjusting shims shall be provided for each bearing in addition to all other plates or shims and placed as shown on bearing details.

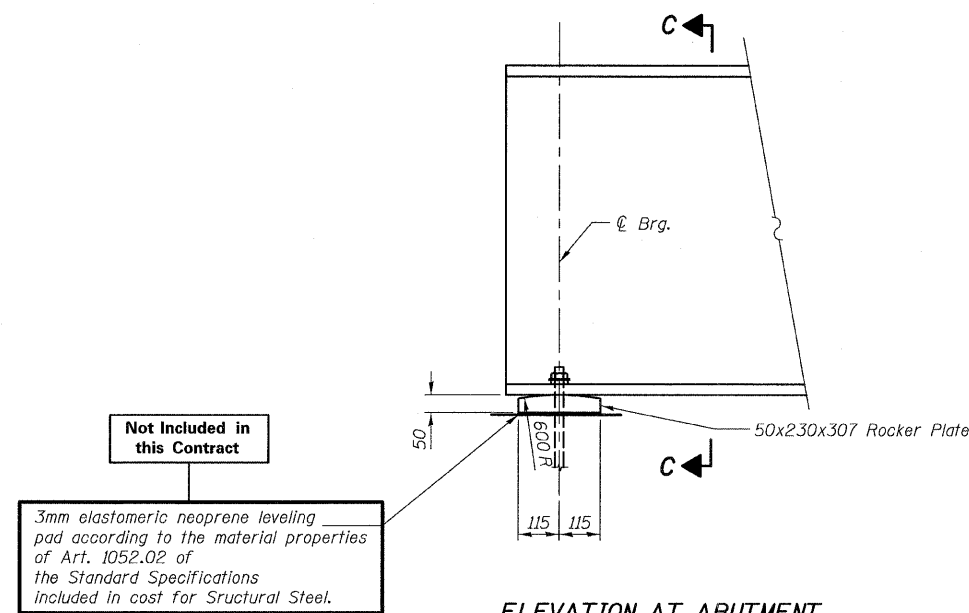
All dimensions are in millimeters (mm) except as noted.

* Anchor bolts shall be ASTM F1554 all-thread (or an Engineer-approved alternate material) of the grade(s) and diameter(s) specified. ASTM A307 Grade C anchor bolts may be used in lieu of ASTM F1554 Grade 250 (Fy=250mpa). The corresponding specified grade of AASHTO M314 anchor bolts may be used in lieu of ASTM F1554.

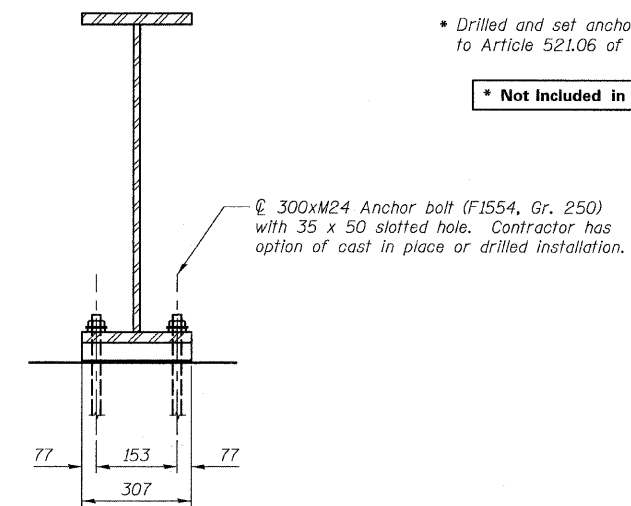
* Anchor bolts at fixed bearings may be either cast in place or installed in holes drilled after the supported member is in place.

* Drilled and set anchor bolts shall be installed according to Article 521.06 of the Standard Specifications.

*** Not Included in this Contract**



ELEVATION AT ABUTMENT



SECTION C-C

ROCKER BEARING
(12 Required)

DESIGNED	JRF
CHECKED	RCJ
DRAWN	RDS
CHECKED	JRF



LOW-PROFILE FIXED BEARINGS
FAP 303 IL. ROUTE 173
OVER EAST BOAT CHANNEL
SECTION 2010-086-F
LAKE COUNTY
STATION 26+271.906
STRUCTURE NO. 049-0198