

STATE OF ILLINOIS  
DEPARTMENT OF TRANSPORTATION

ROUTE NO.	SECTION	COUNTY	TOTAL SHEETS	SHEET NO.	SHEET NO. 4 17 SHEETS
FAP 303 IL 173	2010-086-F	LAKE	29	6	
FED. ROAD DIST. NO. 7	ILLINOIS	FED. AID PROJECT-			

☉ STRUCTURE and STAGE CONSTRUCTION LINE

Location	Station	Offset (m)	Theoretical Grade Elevations	Theoretical Grade Elevations Adjusted For Dead Load Deflection
Back West Abut.	25+093.515	0.339	228.483	228.483
☉ West Abut.	25+093.667	0.336	228.482	228.482
C	25+096.663	0.305	228.456	228.462
D	25+099.660	0.303	228.432	228.438
☉ East Abut.	25+103.073	0.336	228.407	228.438
Back East Abut.	25+103.225	0.338	228.406	228.407

GIRDER 4

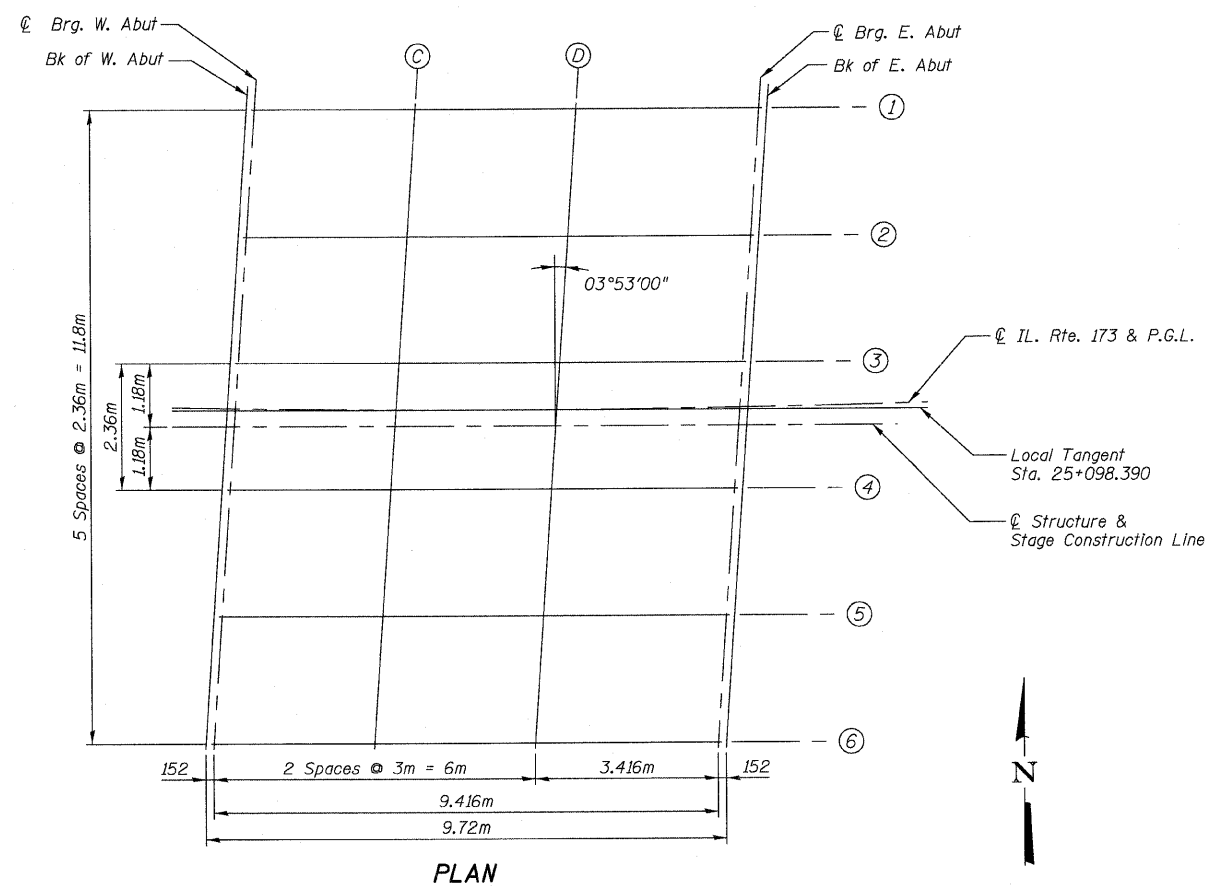
Location	Station	Offset (m)	Theoretical Grade Elevations	Theoretical Grade Elevations Adjusted For Dead Load Deflection
Back West Abut.	25+093.454	1.520	228.582	228.582
☉ West Abut.	25+093.605	1.517	228.580	228.580
C	25+096.590	1.485	228.554	228.560
D	25+099.576	1.482	228.530	228.537
☉ East Abut.	25+102.975	1.514	228.506	228.506
Back East Abut.	25+103.126	1.517	228.505	228.505

GIRDER 5

Location	Station	Offset (m)	Theoretical Grade Elevations	Theoretical Grade Elevations Adjusted For Dead Load Deflection
Back West Abut.	25+093.333	3.882	228.779	228.779
☉ West Abut.	25+093.483	3.880	228.777	228.777
C	25+096.446	3.846	228.751	228.758
D	25+099.409	3.842	228.727	228.734
☉ East Abut.	25+102.782	3.872	228.703	228.703
Back East Abut.	25+102.932	3.874	228.702	228.702

GIRDER 6

Location	Station	Offset (m)	Theoretical Grade Elevations	Theoretical Grade Elevations Adjusted For Dead Load Deflection
Back West Abut.	25+093.214	6.244	228.976	228.976
☉ West Abut.	25+093.363	6.242	228.974	228.974
C	25+096.303	6.207	228.948	228.955
D	25+099.244	6.201	228.925	228.931
☉ East Abut.	25+102.592	6.229	228.900	228.900
Back East Abut.	25+102.741	6.231	228.899	228.899



NOTES

For Dead Load Deflection Diagram and Fillet Heights, See Sheet 3.  
For Girders 1 thru 3 and ☉ of Roadway, See Sheet 3.  
All dimensions are in millimeters (mm) except as noted.

TOP OF SLAB ELEVATIONS-2  
FAP 303 IL. ROUTE 173  
OVER WEST BOAT CHANNEL  
SECTION 2010-086-F  
LAKE COUNTY  
STATION 25+098.390  
STRUCTURE NO. 049-0055

DESIGNED	PAT2
CHECKED	RCJ/JRF
DRAWN	RDS
CHECKED	PAT2

