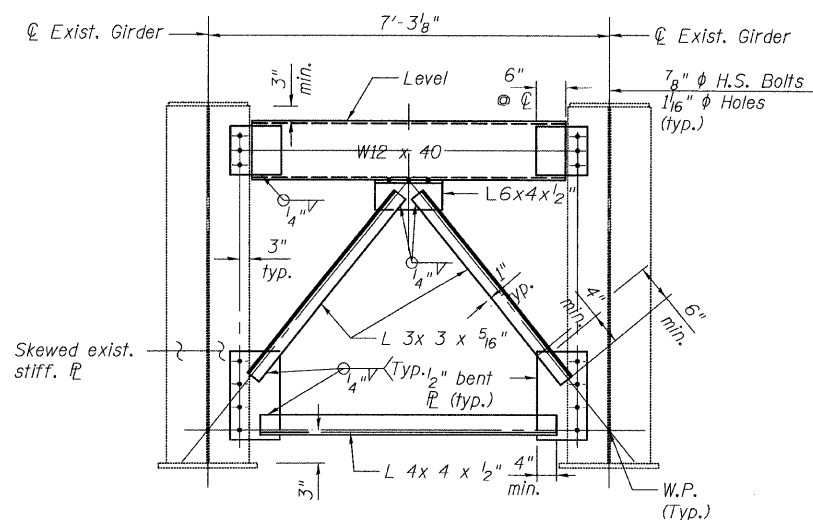
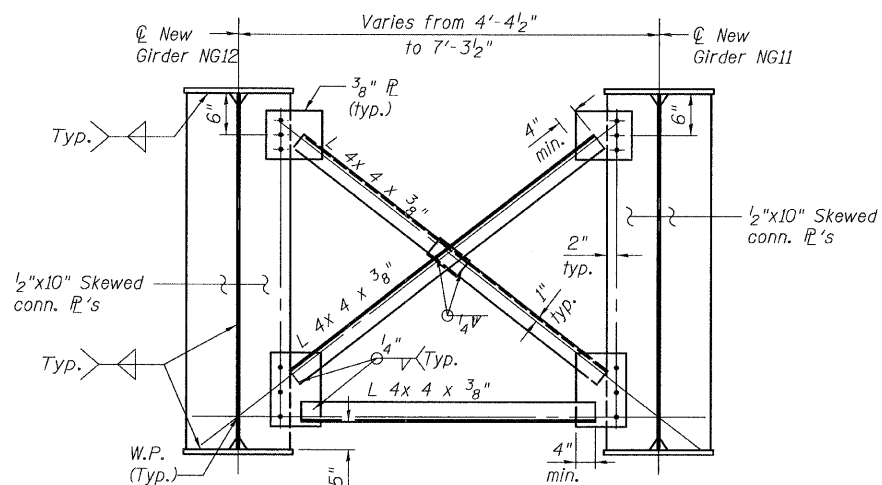


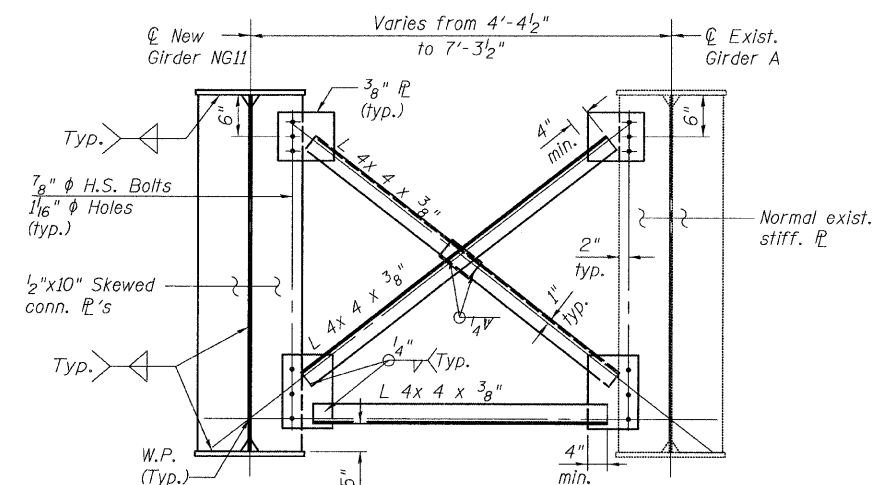
STATE OF ILLINOIS
DEPARTMENT OF TRANSPORTATION



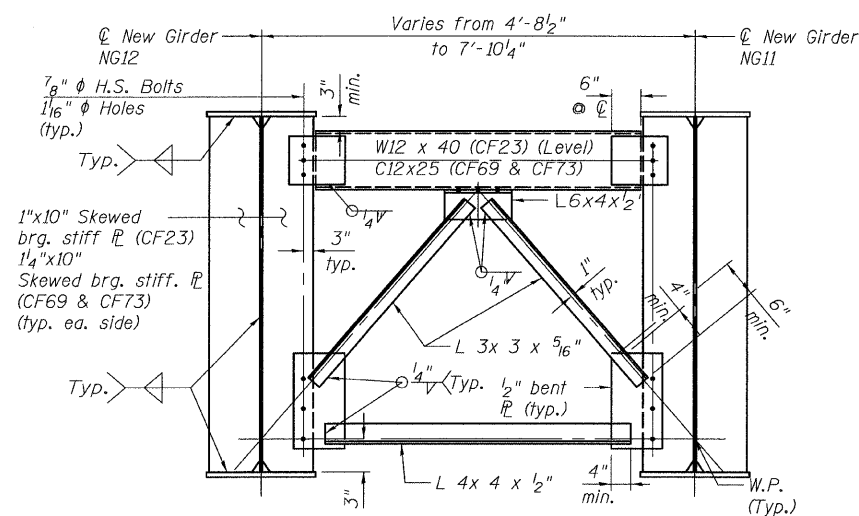
CROSS FRAME CF21
(12 Required)



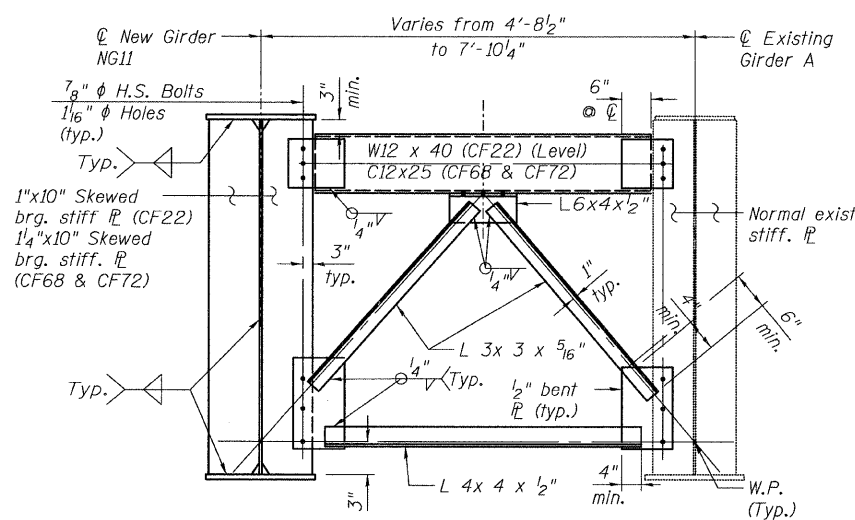
CROSS FRAME CF24 THRU CF40
(17 Required)



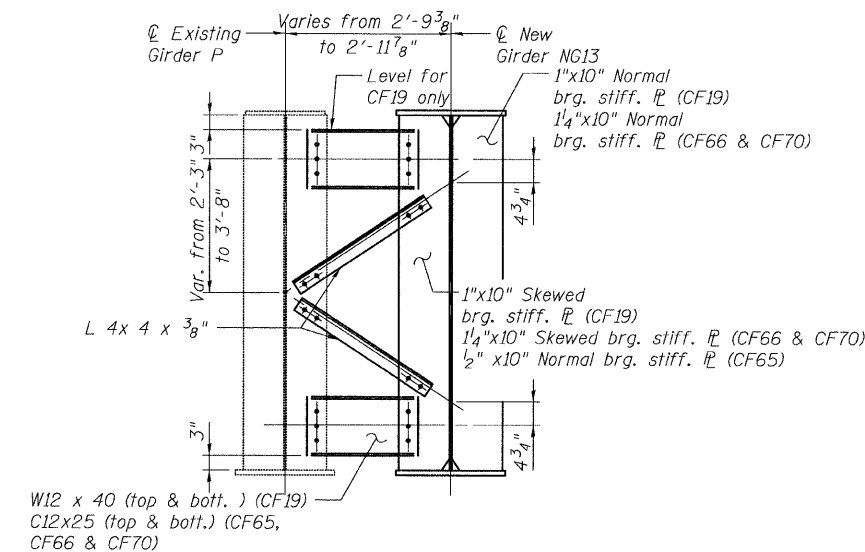
CROSS FRAME CF41 THRU CF56
(16 Required)



CROSS FRAME CF23, CF69 & CF73
(3 Required)



CROSS FRAME CF22, CF68 & CF72
(3 Required)



CROSS FRAME CF19, CF65, CF66 & CF70
(18 Required)

NOTES:

- Two hardened washers shall be required for each set of oversized.
- N.F. denotes Near Face
- F.F. denotes Far Face.

**CROSS FRAMES
SPANS 14 & 15
STRUCTURE NO. 016-3240**

TYLIN INTERNATIONAL	DESIGNED - DY, LS	REVISIONS		SHEET NO. 25	F.A.I. RTE.	SECTION	COUNTY	TOTAL SHEETS	SHEET NO.					
	CHECKED - AMD, LS	NAME	DATE							55	0711.2R & 1011.1BR	COOK	200	192
	DRAWN - DY, LS									33 SHEETS	CONTRACT NO. 60L39			
	CHECKED - AMD, LS									FED. ROAD DIST. NO. 1 ILLINOIS FED. AID PROJECT				
	DATE - 08/02/10													