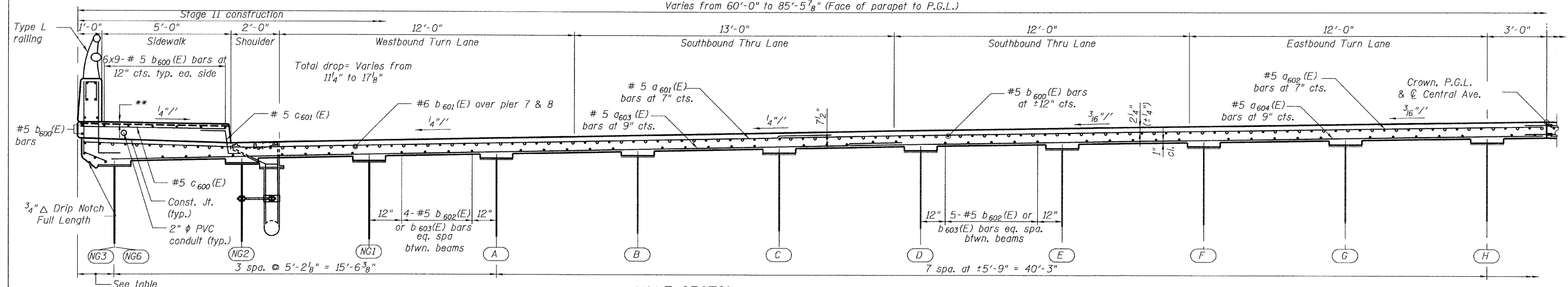
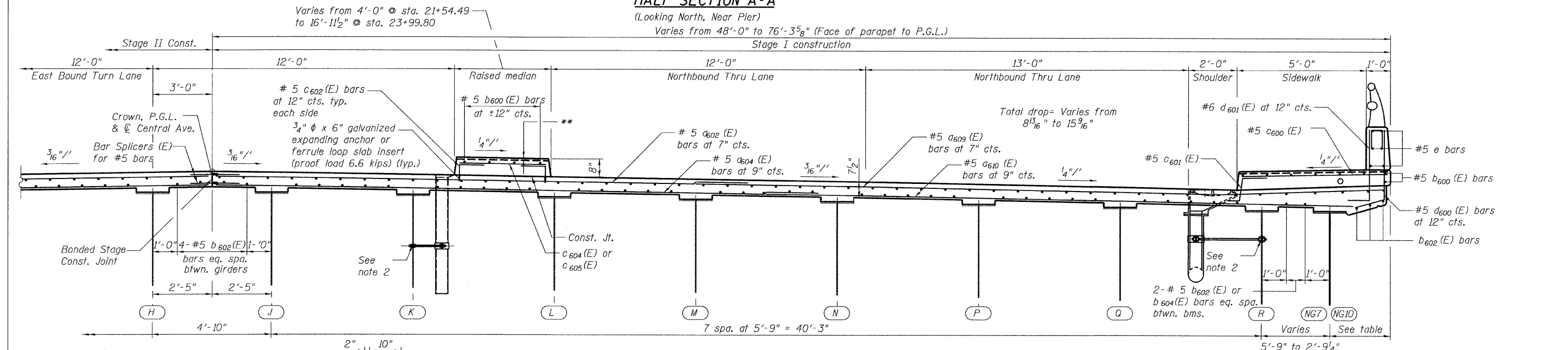


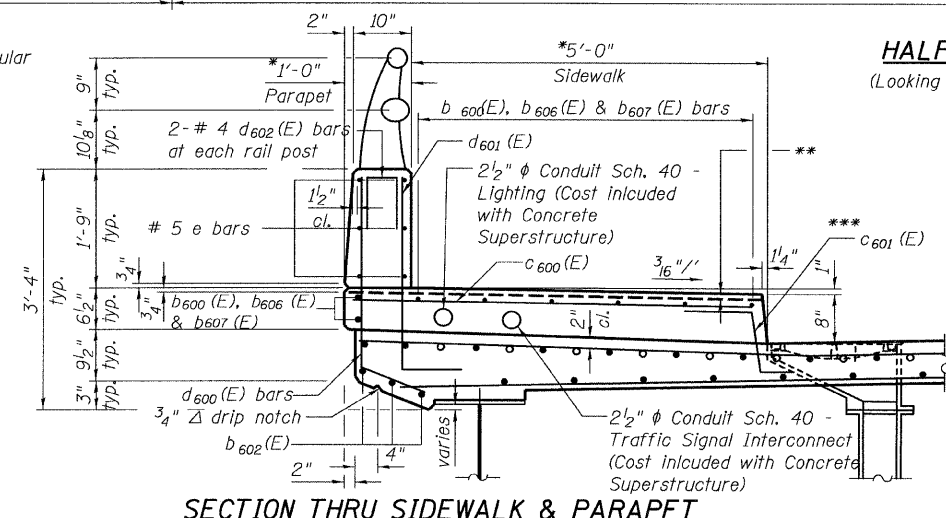
STATE OF ILLINOIS
DEPARTMENT OF TRANSPORTATION
Varies from 60'-0" to 85'-5 7/8" (Face of parapet to P.G.L.)



HALF SECTION A-A
(Looking North, Near Pier)



HALF SECTION A-A
(Looking North, Near Midspan)



SECTION THRU SIDEWALK & PARAPET

NOTES

- The cost of galvanized expansion anchors/inserts to be included with "Reinforcement Bars, Epoxy Coated".
- Drill 7/8" hole for 3/4" as required. Drilled holes should be around to remove sharp edges and burrs. Paint holes and surrounding surface areas.

OVERHANG

Girder	Station	Overhang
NG6	21+19.94 to 21+71.32	1'-4" to 4'-0 1/2"
NG3	21+71.32 to 23+76.79	1'-9 5/8" to 4'-0 1/2"
NG7	22+13.25 to 24+17.95	2'-2" to 5'-0 1/2"
NG10	21+78.91 to 22+13.25	1'-4" to 5'-0 1/2"

THIS SHEET FOR
INFORMATION ONLY

TYLIN INTERNATIONAL DESIGNED - DY, LS CHECKED - AMD, LS DRAWN - DY, LS CHECKED - AMD, LS DATE - 08/02/10	REVISIONS NAME DATE		SHEET NO. 10 33 SHEETS F.A.I. RTE. 55 SECTION 0711.2R & 1011.1BR COUNTY COOK TOTAL SHEETS 200 SHEET NO. 177 CONTRACT NO. 60L39 FED. ROAD DIST. NO. 1 ILLINOIS FED. AID PROJECT
	NAME DATE		
	NAME DATE		
	NAME DATE		