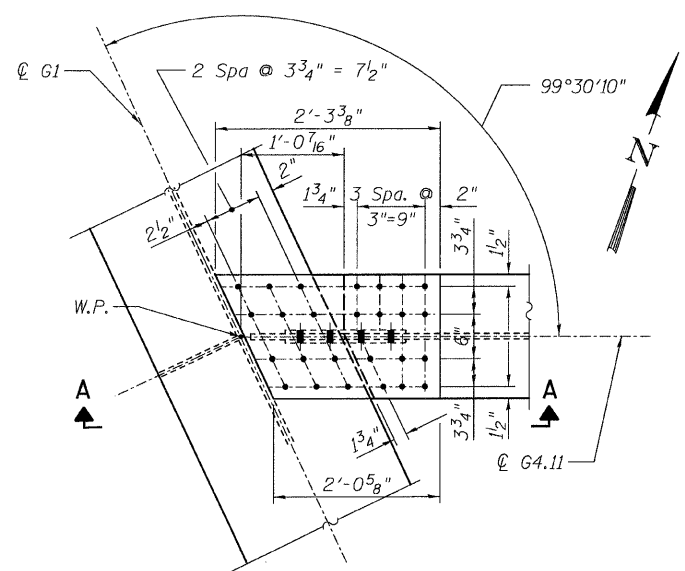
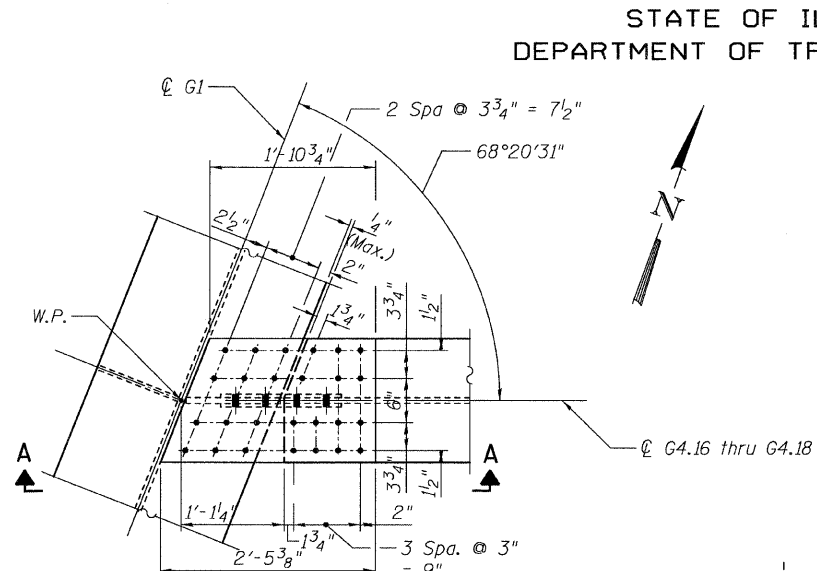


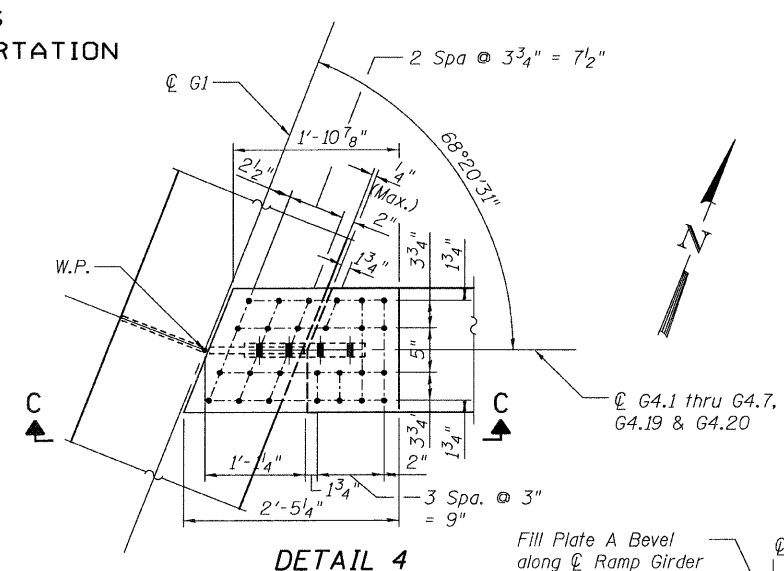
STATE OF ILLINOIS
DEPARTMENT OF TRANSPORTATION



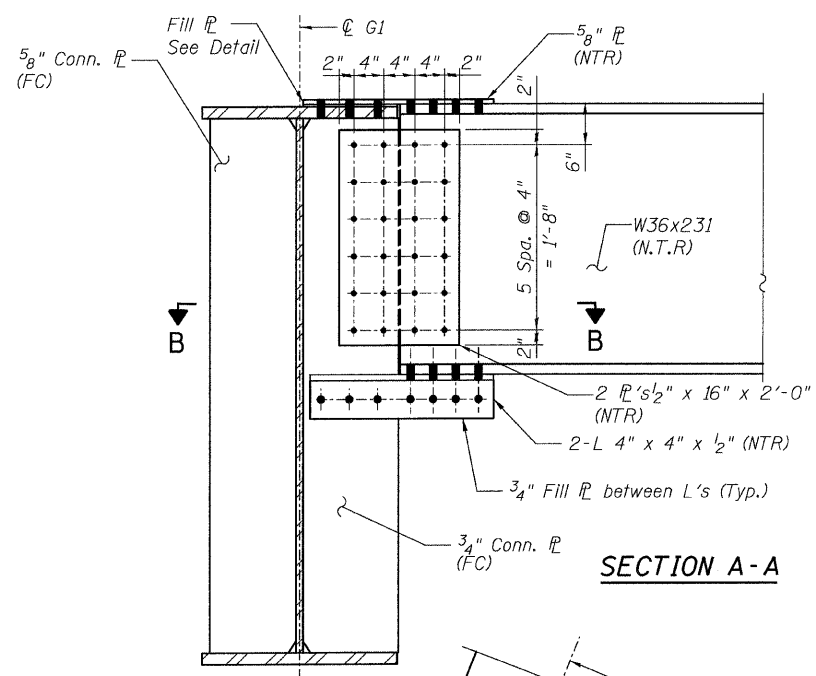
DETAIL 3
(Top Flange @ G4.11)



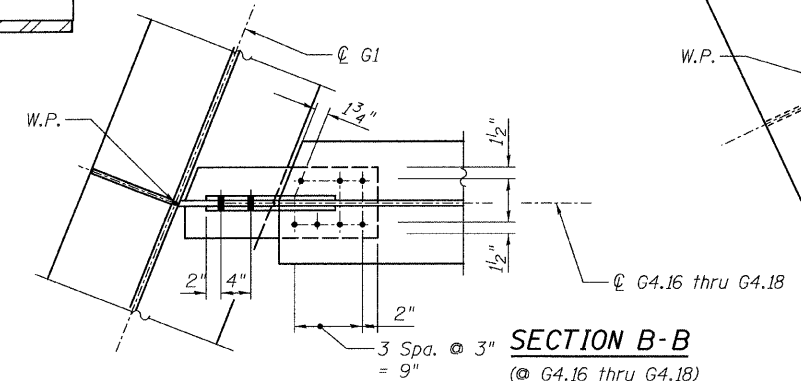
DETAIL 3
(Top Flange @ G4.16 thru G4.18)



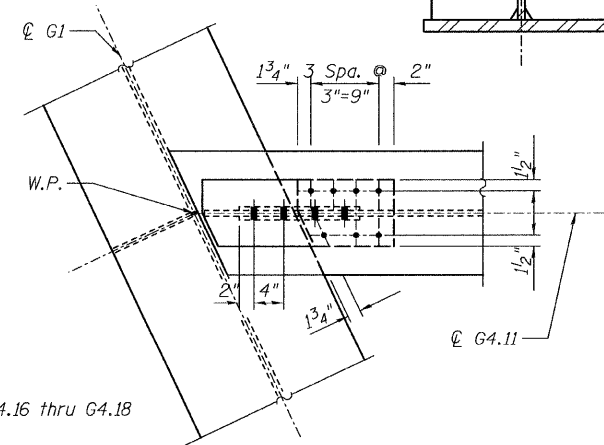
DETAIL 4
(Top Flange)



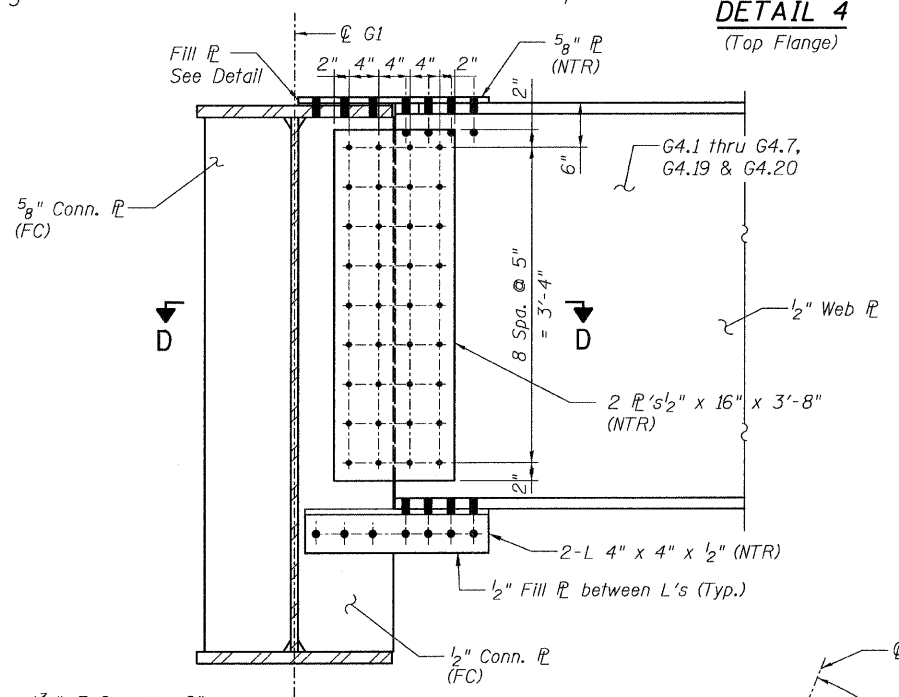
SECTION A-A



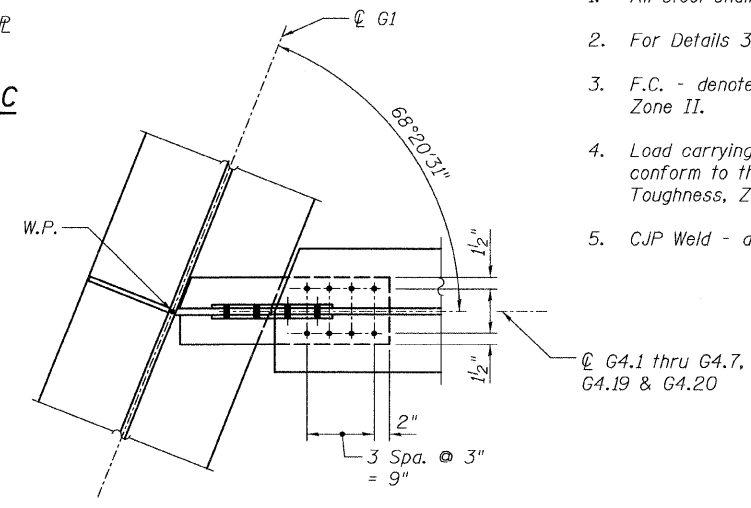
SECTION B-B
(@ G4.16 thru G4.18)



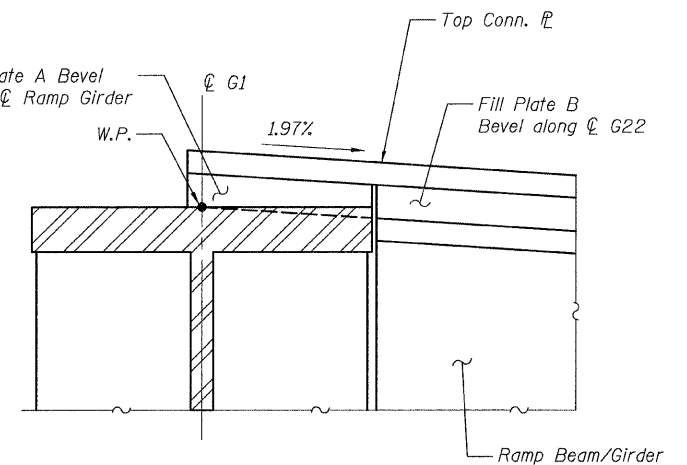
SECTION B-B
(@ G4.11)



SECTION C-C



SECTION D-D



FILL @ DETAIL

- NOTES:**
- All steel shall be AASHTO M270 Grade 50
 - For Details 3 and 4 locations, see Sheet 44.
 - F.C. - denotes Fracture Critical Material, AASHTO Zone II.
 - Load carrying components designated "NTR" shall conform to the Supplemental Requirements for Notch Toughness, Zone 2.
 - CJP Weld - denotes Complete Joint Penetration Weld.

CONNECTION DETAILS 3&4
RAMP 4 FLARE
STRUCTURE NO. 016-0724

TYLIN INTERNATIONAL	DESIGNED - EKH, JMA	REVISIONS	
	CHECKED - AMD,	NAME	DATE
	DRAWN - EKH, JMA		
	CHECKED - AMD,		
	DATE - 08/02/10		

SHEET NO. 174 137 SHEETS	F.A.I. RTE.	SECTION	COUNTY	TOTAL SHEETS	SHEET NO.
	55	0711.2R & 1011.1BR	COOK	200	154
			CONTRACT NO. 60L39		
FED. ROAD DIST. NO. 1 ILLINOIS FED. AID PROJECT					

p:\01345\beam and bearing fabrication\65f4f-amedt11.dgn 8/13/2010 4:44:13 PM