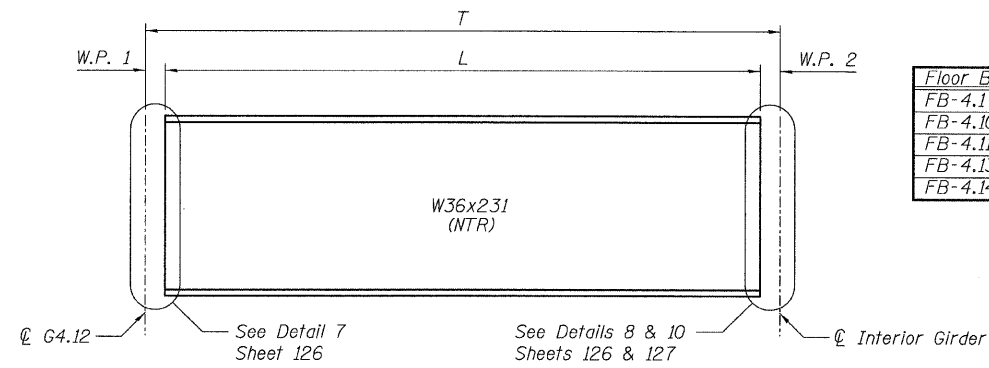
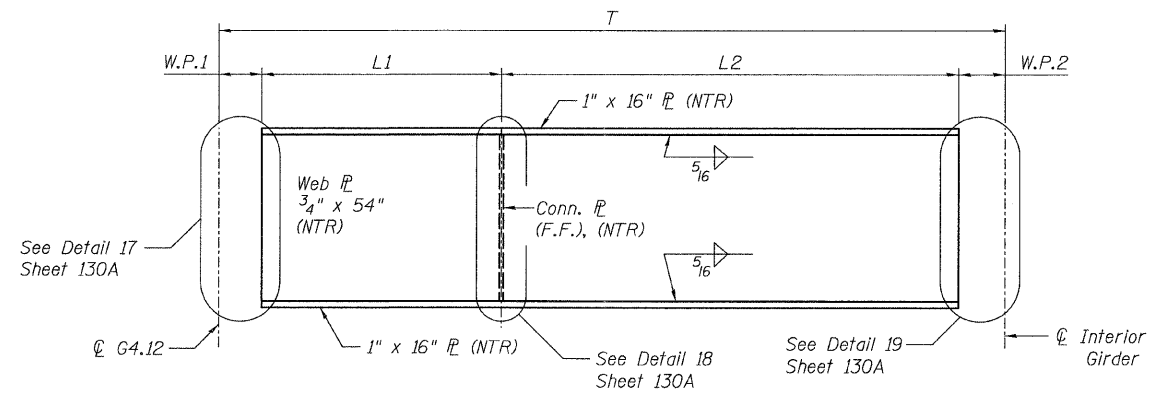


STATE OF ILLINOIS
DEPARTMENT OF TRANSPORTATION



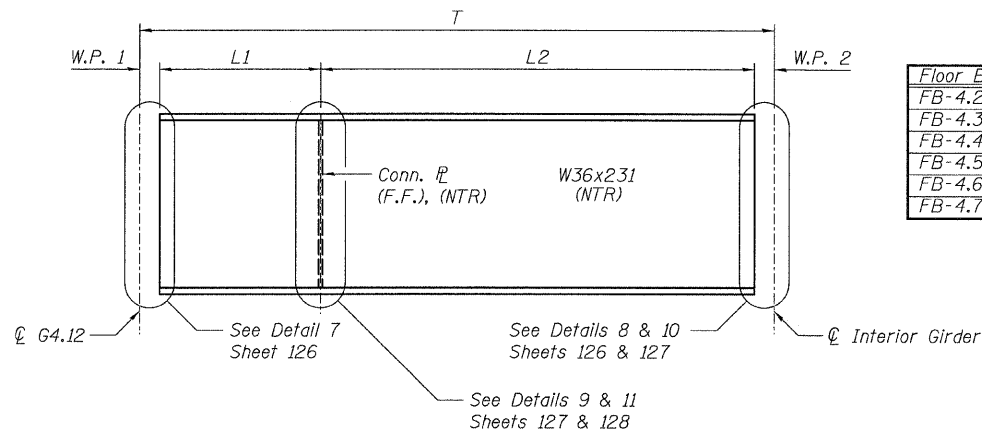
Floor Beam	W.P. 1	W.P. 2	L	T
FB-4.1	1'-2 1/4"	6 1/4"	7'-11 1/2"	9'-8"
FB-4.10	1'-0 1/2"	8 1/4"	6'-6 1/16"	8'-3 3/16"
FB-4.11	1'-0 1/16"	8 1/4"	3'-9 5/8"	5'-6 3/16"
FB-4.13	1'-0 3/16"	8 1/4"	6'-5 5/16"	8'-1 1/8"
FB-4.14	1'-0 1/4"	8 1/4"	5'-4 3/8"	7'-0 7/8"

FLOOR BEAM ELEVATION
(FB-4.1, FB-4.10, FB-4.11, FB-4.13, FB-4.14)



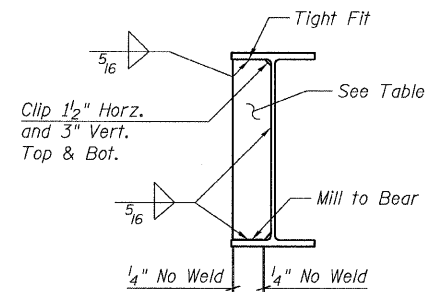
FLOOR BEAM ELEVATION
(FB-4.8, FB-4.9, FB-4.12)
(Looking West)

Floor Beam	W.P.1	W.P.2	L1	L2	T
FB-4.8	1'-0 13/16"	8 1/4"	4'-10"	7'-6 13/16"	12'-4 13/16"
FB-4.9	1'-0 9/16"	8 1/4"	4'-0 1/2"	7'-6 1/2"	11'-6 3/8"
FB-4.12	1'-0 3/8"	8 1/4"	2'-3 9/16"	5'-9 3/4"	9'-9 5/16"

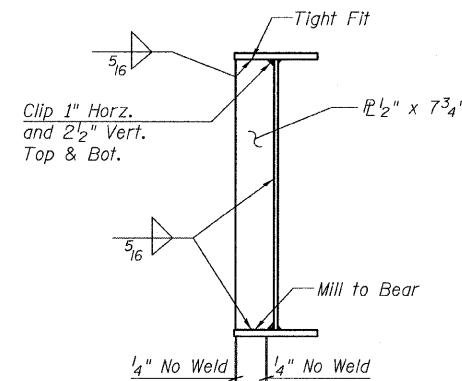


Floor Beam	W.P. 1	W.P. 2	L1	L2	T	Conn. PL
FB-4.2	1'-2 1/8"	6 1/4"	3'-2 1/8"	5'-11 3/4"	10'-11"	5/8" x 7 3/4"
FB-4.3	1'-1 1/8"	6 1/4"	3'-2 5/16"	5'-4 3/4"	10'-10 3/16"	5/8" x 7 3/4"
FB-4.4	1'-1 9/16"	8 1/2"	2'-2 3/16"	5'-9 1/2"	9'-9 3/4"	5/8" x 7 3/4"
FB-4.5	1'-1 1/8"	8 1/2"	1'-10 1/2"	5'-9 1/16"	9'-5 13/16"	3/4" x 7 3/4"
FB-4.6	1'-1 1/8"	8 1/2"	2'-2 13/16"	5'-9 1/2"	9'-9 1/16"	3/4" x 7 3/4"
FB-4.7	1'-1"	8 1/4"	3'-2 1/16"	5'-9 3/4"	10'-9 1/16"	3/4" x 7 3/4"

FLOOR BEAM ELEVATION
(FB-4.2 thru FB-4.7)
(Looking West)



CONN. PL DETAILS
(FB-4.2 to FB-4.7)



CONN. PL DETAILS
(FB-4.8, FB-4.9, FB-4.12)

NOTES:

- All steel shown on this sheet shall conform to the requirements of AASHTO M270 GR 50.
- Load carrying components designated "NTR" shall conform to the supplemental requirements for Notch Toughness, Zone 2.
- F.F. denotes Far Face.

**FLOOR BEAM DETAILS
RAMP 4 FLARE
STRUCTURE NO. 016-0724**

TYLIN INTERNATIONAL	DESIGNED - EKH, JMA	REVISIONS		SHEET NO. 122	F.A.I RTE.	SECTION 0711.2R & 1011.1BR	COUNTY COOK	TOTAL SHEETS 200	SHEET NO. 152	
	CHECKED - AMD,	NAME	DATE		137 SHEETS					CONTRACT NO. 60L39
	DRAWN - EKH, JMA									
	CHECKED - AMD,									
	DATE - 08/02/10				FED. ROAD DIST. NO. 1 ILLINOIS FED. AID PROJECT					

8/5/2010 4:57:03 PM p:\01345\beam_and_bearing_fabrication\15574f-amedt\10.dwg