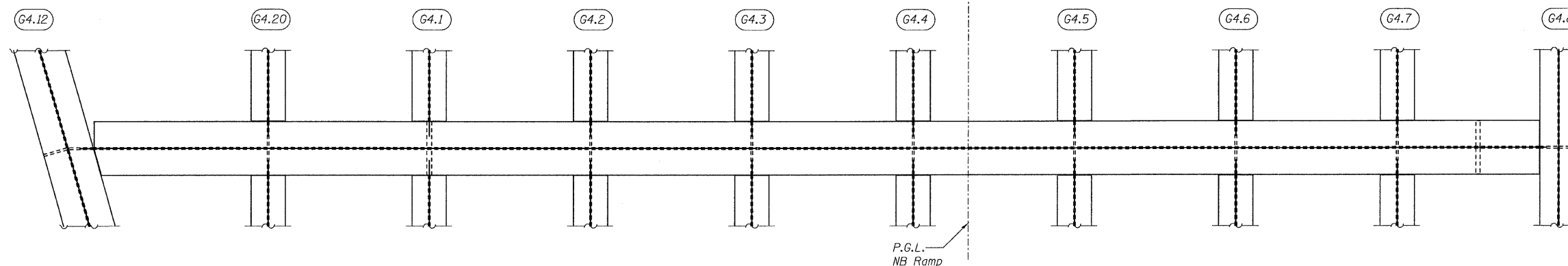
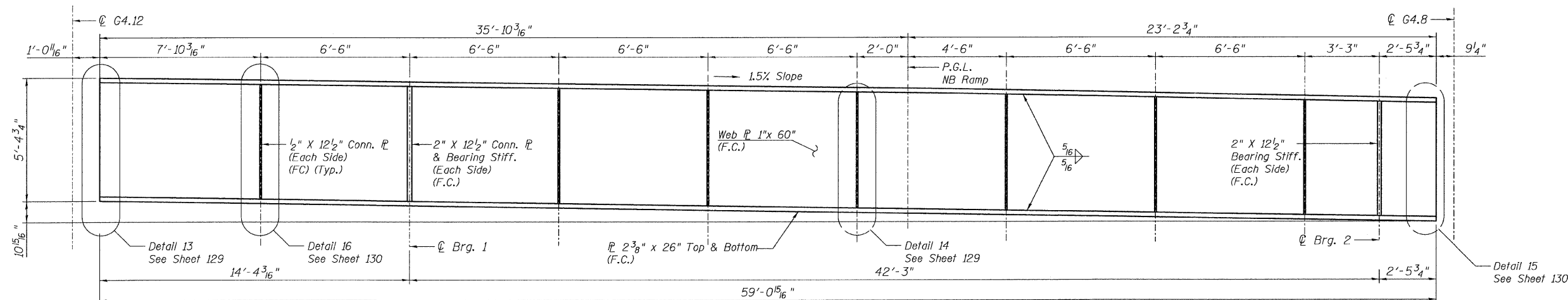


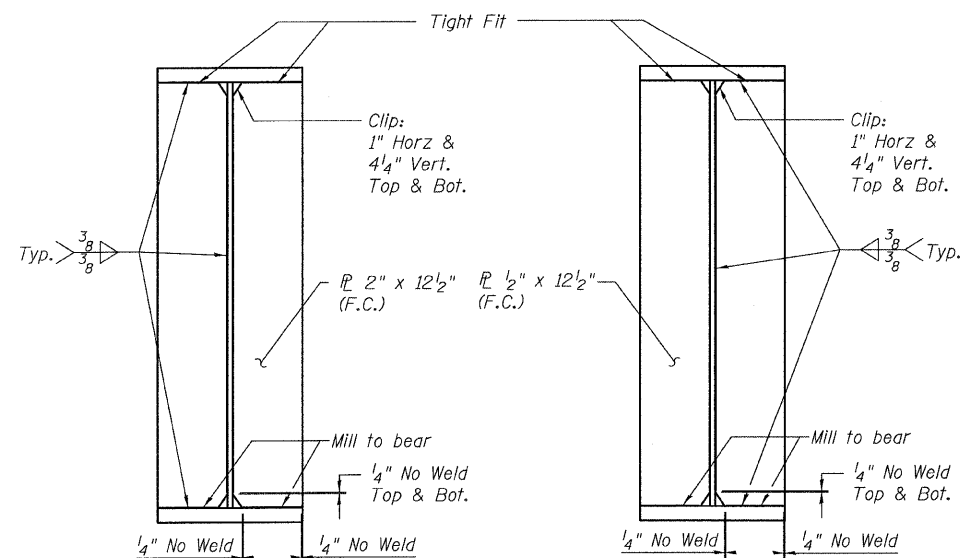
STATE OF ILLINOIS
DEPARTMENT OF TRANSPORTATION



CROSSHEAD PLAN - AT R4 PIER
(Top Connection Plates Not Shown for Clarity)



CROSSHEAD ELEVATION - AT R4 PIER (F.C.M.)
(Looking West)



Bearing Stiffener Details

Conn. P. Details

TOP OF WEB ELEVATIONS
(For Fabrication Only)

LOCATION	ELEVATION
© Brg. 1	626.63
© Brg. 2	626.00

BEARING SEAT ELEVATIONS
(For Information Only)

LOCATION	ELEVATION
© Brg. 1	620.47
© Brg. 2	619.96

NOTES:

- All steel shown on this sheet shall conform to the requirements of AASHTO M270 GR 50.
- Load carrying components designated "NTR" shall conform to the supplemental requirements for Notch Toughness, Zone 2.
- F.C.M. denotes Fracture Critical Member.
- F.C. denotes Fracture Critical Material, AASHTO Zone II.
- Crosshead shall be cambered.

CROSSHEAD GIRDER DETAILS
RAMP 4 FLARE
STRUCTURE NO. 016-0724

TYLIN INTERNATIONAL	DESIGNED - EKH, JMA, PK	REVISIONS		SHEET NO. 121	F.A.I RTE. 55	SECTION 0711.2R & 1011.1BR	COUNTY COOK	TOTAL SHEETS 200	SHEET NO. 151
	CHECKED - AMD,	NAME	DATE						
	DRAWN - EKH, JMA, PK								
	CHECKED - AMD,								
	DATE - 08/02/10			137 SHEETS	CONTRACT NO. 60L39				
FED. ROAD DIST. NO. 1 ILLINOIS FED. AID PROJECT									