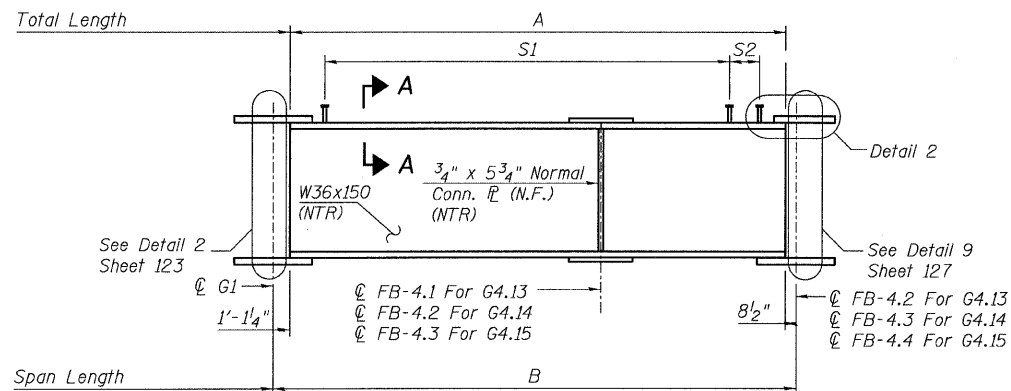


STATE OF ILLINOIS
DEPARTMENT OF TRANSPORTATION

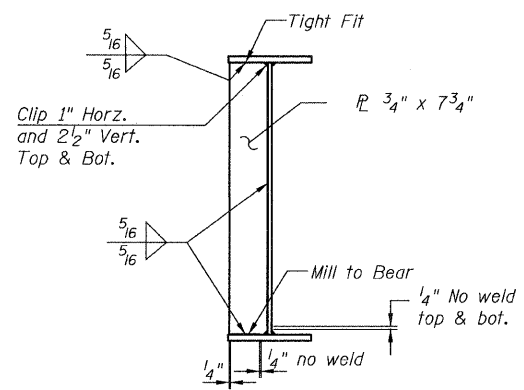


GIRDER ELEVATION - G4.13 THRU G4.15
(Looking South)

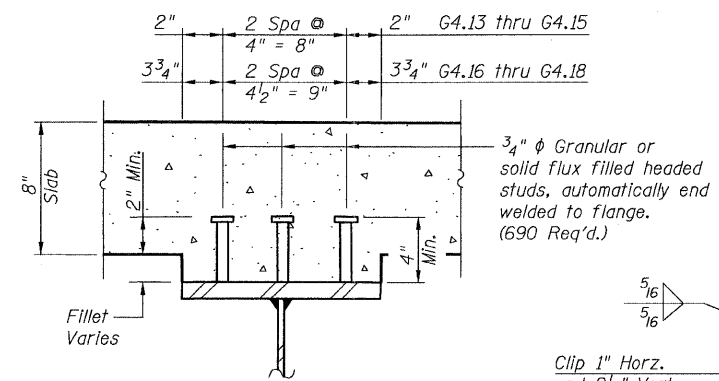
GIRDER DIMENSIONS

(Girders G4.13 thru G4.15)

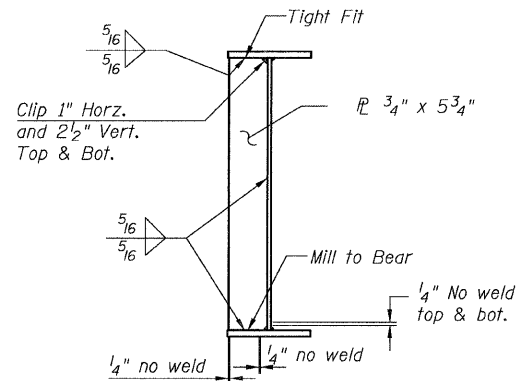
	A	B	S1	S2
G4.13	12'-13 3/4"	13'-11 1/2"		
G4.14	21'-6"	23'-4 1/2"		
G4.15	33'-11 1/8"	35'-9 5/8"		



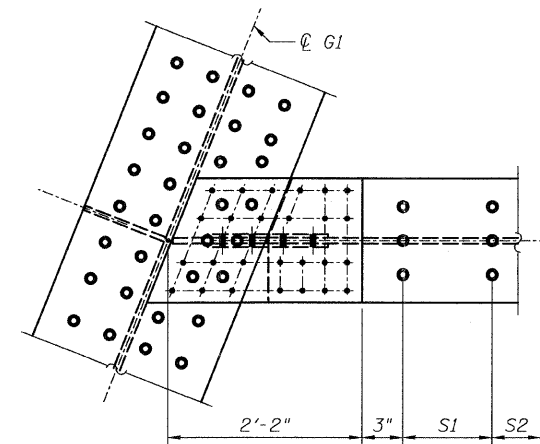
CONN. P DETAIL G4.16 THRU G4.18
(Floor beams & Cross frames)



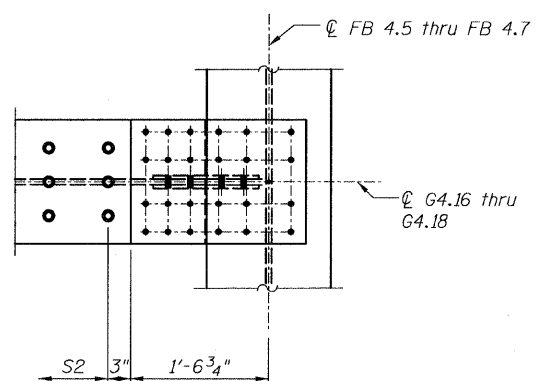
SECTION A-A
Not in contract



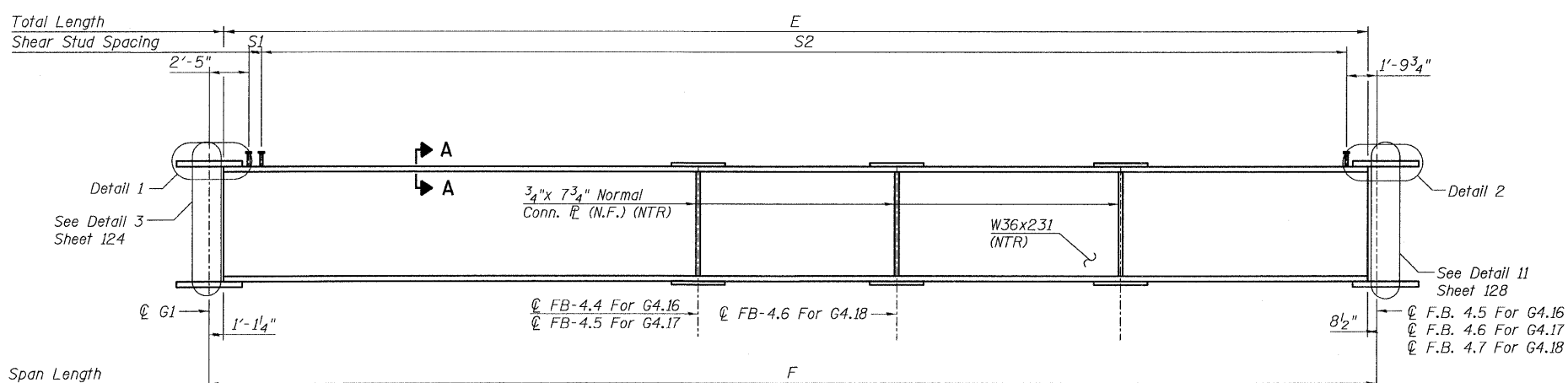
CONN. P DETAIL G4.13 THRU G4.15
(Floor beams)



DETAIL 1



DETAIL 2



GIRDER ELEVATION - G4.16 THRU G4.18
(Looking South)

SHEAR STUD SPACINGS

(Girders G4.16 thru G4.18)

	S1	S2
G4.16	5' 8"	58 Spa. @ 9" = 43'-6"
G4.17	1' 8"	75 Spa. @ 9" = 56'-3"
G4.18	6' 8"	91 Spa. @ 9" = 68'-3"

GIRDER DIMENSIONS

(Girders G4.16 thru G4.18)

	E	F
G4.16	46'-4 7/8"	48'-2 5/8"
G4.17	58'-9 7/8"	60'-7 5/8"
G4.18	71'-2 7/8"	73'-0 5/8"

TOP OF BEAM ELEVATIONS

(For Fabrication Only)

Location	Girder	G4.13	G4.14	G4.15	G4.16	G4.17	G4.18
Centerline G1		627.97	628.00	628.03	628.06	628.09	628.12
Centerline F.B.							

NOTES:

- All steel shown on this sheet shall conform to the requirements of AASHTO M270 GR 50.
- Load carrying components designated "NTR" shall conform to the supplemental requirements for Notch Toughness, Zone 2.
- N.F. denotes Near Face.

**GIRDER ELEVATIONS 5
RAMP 4 FLARE
STRUCTURE NO. 016-0724**

TYLIN INTERNATIONAL

DESIGNED	EKH, JMA, PK	REVISIONS	
CHECKED	AMD,	NAME	DATE
DRAWN	EKH, JMA, PK		
CHECKED	AMD,		
DATE	08/02/10		

SHEET NO. 119 137 SHEETS	F.A.I RTE.	SECTION	COUNTY	TOTAL SHEETS	SHEET NO.
	55	0711.2R & 1011.1BR	COOK	200	149
FED. ROAD DIST. NO. 1 ILLINOIS			FED. AID PROJECT		
CONTRACT NO. 60L39					

p:\01345\beam_and_bearing_fabrication\55744\frame\7.dgn 8/13/2010 5:28:25 PM