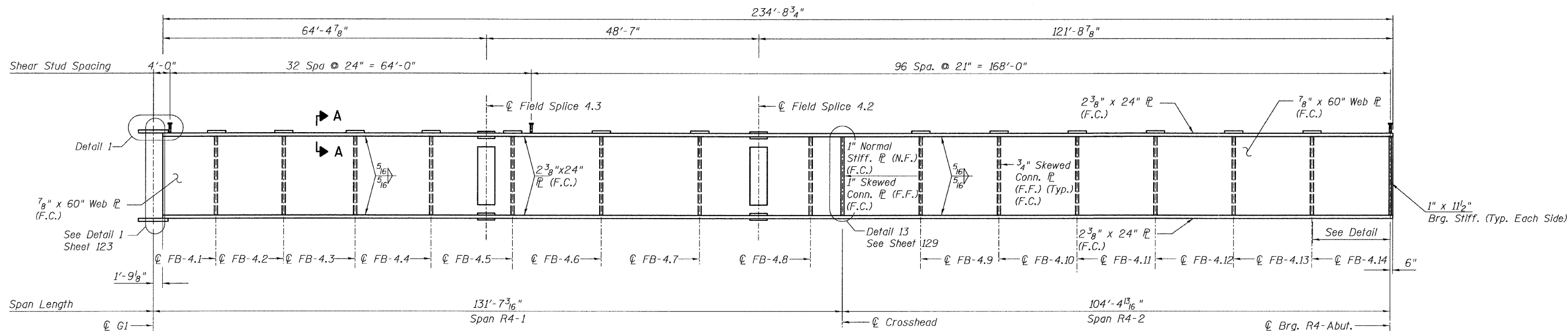
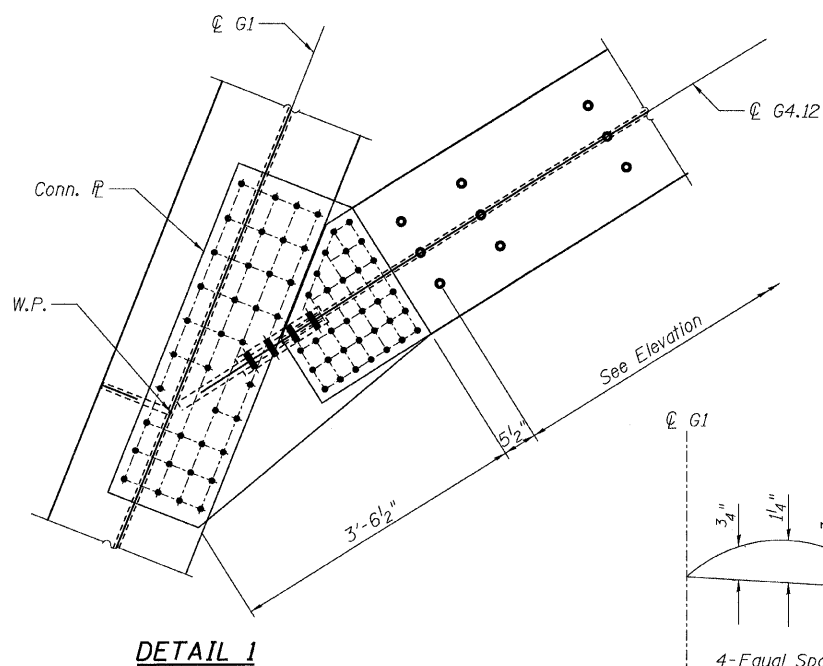


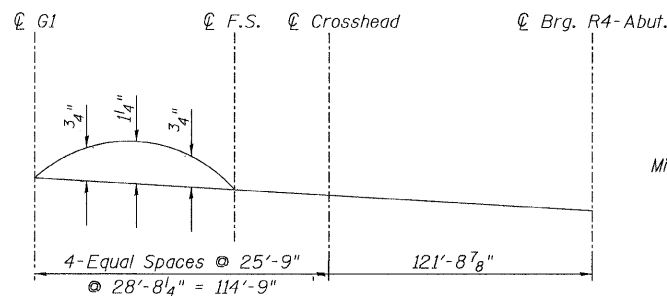
STATE OF ILLINOIS
DEPARTMENT OF TRANSPORTATION



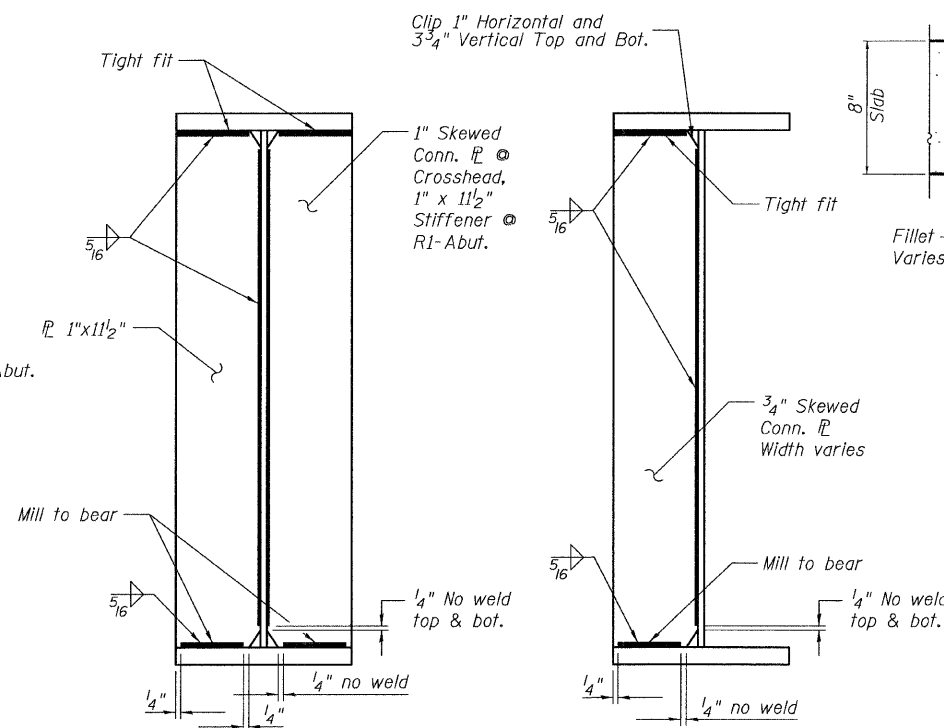
GIRDER ELEVATION - G4.12 (F.C.M)
(Looking South)



DETAIL 1

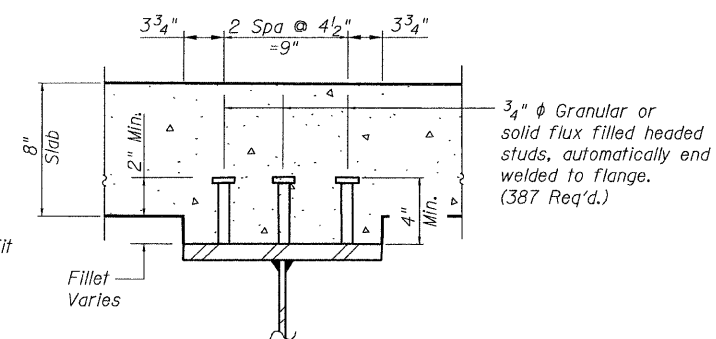


CAMBER DIAGRAM



BEARING STIFFENERS

CONNECTION P



SECTION A-A
Not in contract

TOP OF WEB ELEVATIONS
(For Fabrication Only)

Location	Girder	G4.12
Centerline G1		627.69
Field Splice 4.2		627.00
Centerline Crosshead		626.86
Centerline Bearing R4-Abut.		624.77

NOTES:

- All steel shown on this sheet shall conform to the requirements of AASHTO M270 GR 50.
- Load carrying components designated "NTR" shall conform to the supplemental requirements for Notch Toughness, Zone 2.
- For Field Splice details, See Sheet 131.
- FCM denotes Fracture Critical Member.
- F.C. denotes Fracture Critical Material, AASHTO Zone II.
- N.F. denotes Near Face.
- F.F. denotes Far Face.

TYLIN INTERNATIONAL

DESIGNED	EKH, JMA, PK	REVISIONS	
CHECKED	AMD,	NAME	DATE
DRAWN	EKH, JMA, PK		
CHECKED	AMD,		
DATE	08/02/10		

SHEET NO. 118 137 SHEETS	F.A.I RTE.	SECTION	COUNTY	TOTAL SHEETS	SHEET NO.
	55	0711.2R & 1011.1BR	COOK	200	148
FED. ROAD DIST. NO. 1 ILLINOIS			FED. AID PROJECT		
CONTRACT NO. 60L39					

8/13/2010

p:\01345\beam and bearing fabrication\15574framedit6.dgn

4:44:10 PM