

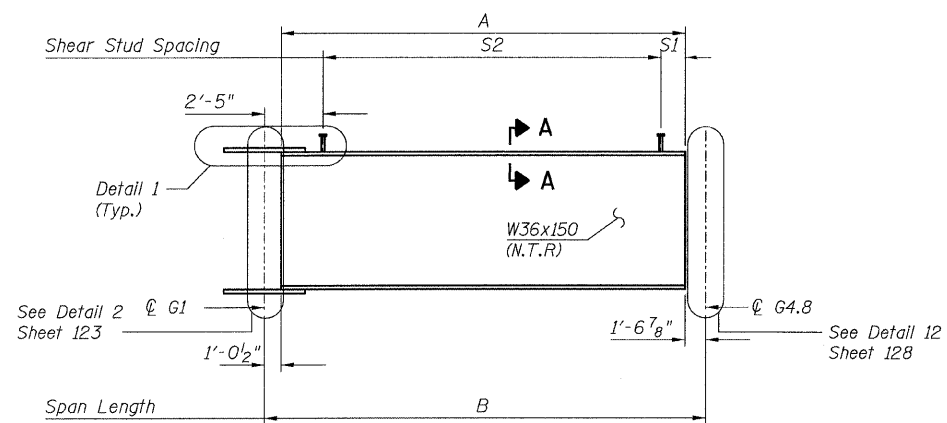
STATE OF ILLINOIS  
DEPARTMENT OF TRANSPORTATION

GIRDER DIMENSIONS

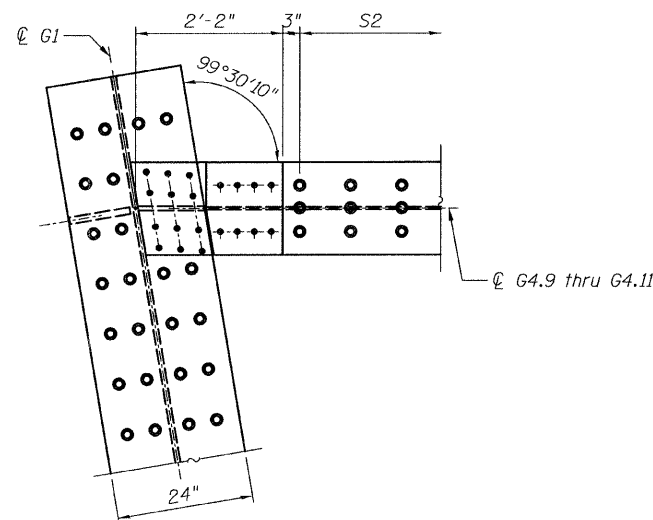
Girder	A	B
G4.9	8'-4 <sup>5</sup> / <sub>8</sub> "	10'-9 <sup>5</sup> / <sub>8</sub> "
G4.10	19'-1 <sup>7</sup> / <sub>8</sub> "	21'-6 <sup>7</sup> / <sub>8</sub> "
G4.10A	29'-11 <sup>1</sup> / <sub>4</sub> "	32'-4"

SHEAR STUD SPACING

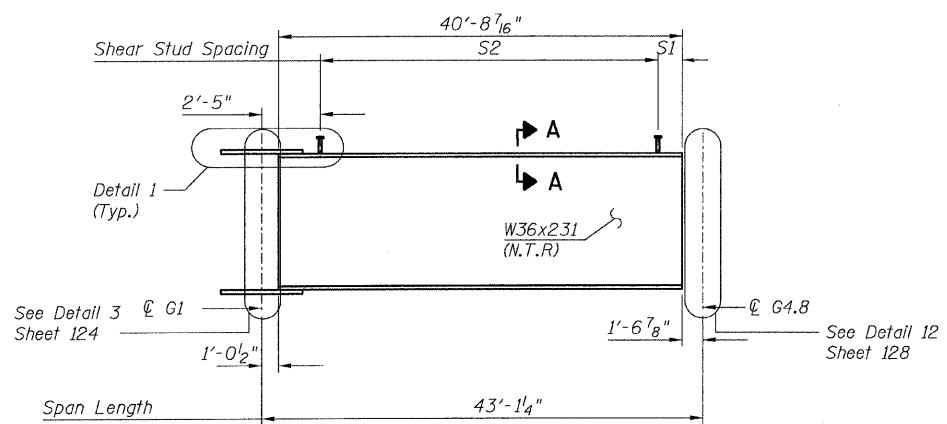
Girder	S1	S2
G4.9	9 <sup>5</sup> / <sub>8</sub> "	3 Spa. @ 24" = 6'-0"
G4.10	1'-6 <sup>7</sup> / <sub>8</sub> "	8 Spa. @ 24" = 16'-0"
G4.10A	4 <sup>1</sup> / <sub>4</sub> "	14 Spa. @ 24" = 28'-0"
G4.11	7 <sup>1</sup> / <sub>2</sub> "	77 Spa. @ 6" = 38'-6"



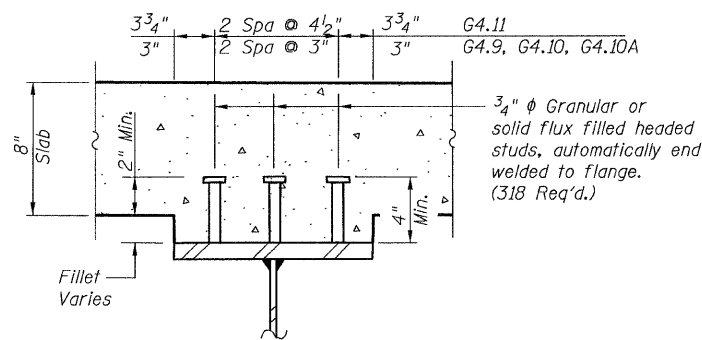
GIRDER ELEVATION - G4.9, G4.10 AND G4.10A  
(Looking South)



DETAIL 1



GIRDER ELEVATION - G4.11  
(Looking South)



SECTION A-A  
Not in contract

TOP OF BEAM ELEVATIONS  
(For Fabrication Only)

Location	Girder	G4.9	G4.10	G4.10A	G4.11
Centerline G4.8		628.03	627.69	627.35	627.00
Centerline G22		628.42	628.45	628.47	628.50

NOTES:

- All steel shown on this sheet shall conform to the requirements of AASHTO M270 GR 50.
- Load carrying components designated "NTR" shall conform to the supplemental requirements for Notch Toughness, Zone 2.
- N.F. - denotes Near Face.

GIRDER ELEVATIONS 3  
RAMP 4 FLARE  
S.N. 016-0724

TYLIN INTERNATIONAL	DESIGNED - EKH, JMA, PK	REVISIONS		SHEET NO. 117	F.A.I RTE. 55	SECTION 0711.2R & 1011.1BR	COUNTY COOK	TOTAL SHEETS 200	SHEET NO. 147
	CHECKED - AMD,	NAME	DATE						
	DRAWN - EKH, JMA, PK								
	CHECKED - AMD,								
	DATE - 08/02/10								
				137 SHEETS	CONTRACT NO. 60L39				
				FED. ROAD DIST. NO. 1 ILLINOIS FED. AID PROJECT					