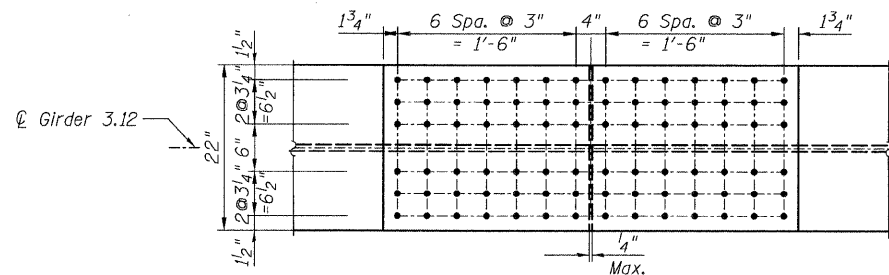
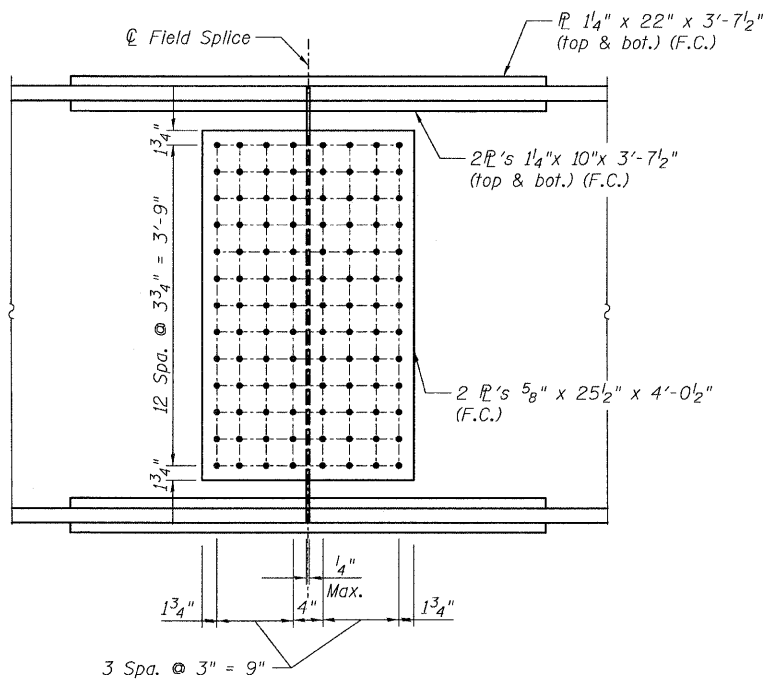


STATE OF ILLINOIS
DEPARTMENT OF TRANSPORTATION



PLAN - TOP & BOTTOM FLANGE



ELEVATION

FIELD SPLICE F.S.-3.1 & 3.2
(Girder 3.12)

NOTES:

1. All steel shall be AASHTO M270 Grade 50.
2. F.C. denotes Fracture Critical Material, AASHTO Zone 2.

FIELD SPLICES
RAMP 3 FLARE
STRUCTURE NO. 016-0724

TYLIN INTERNATIONAL

	DESIGNED - MAU	REVISIONS	
		NAME	DATE
CHECKED - AMD,			
DRAWN - MAU			
CHECKED - AMD,			
DATE - 08/02/10			

SHEET NO. 111 137 SHEETS	F.A.I RTE.	SECTION	COUNTY	TOTAL SHEETS	SHEET NO.
	55	0711.2R & 1011.1BR	COOK	200	141
FED. ROAD DIST. NO. 1 ILLINOIS			FED. AID PROJECT		
CONTRACT NO. 60L39					

8/13/2010

p:\01345\beam and bearing fabrication\65f3f-amedt18.dwg

4:44:07 PM