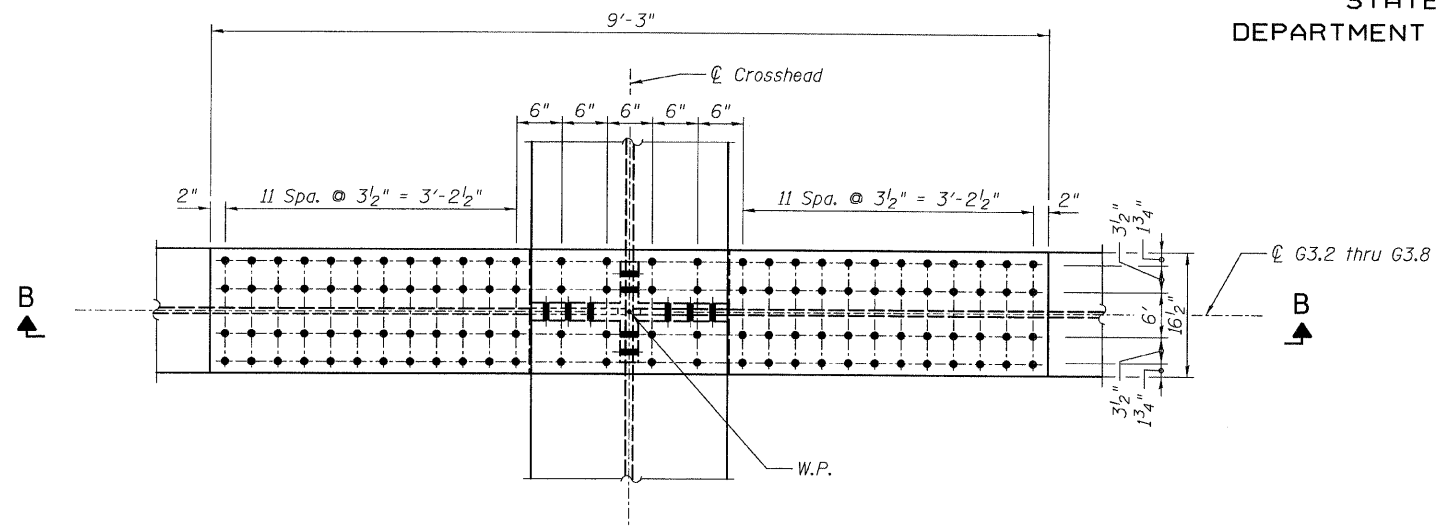
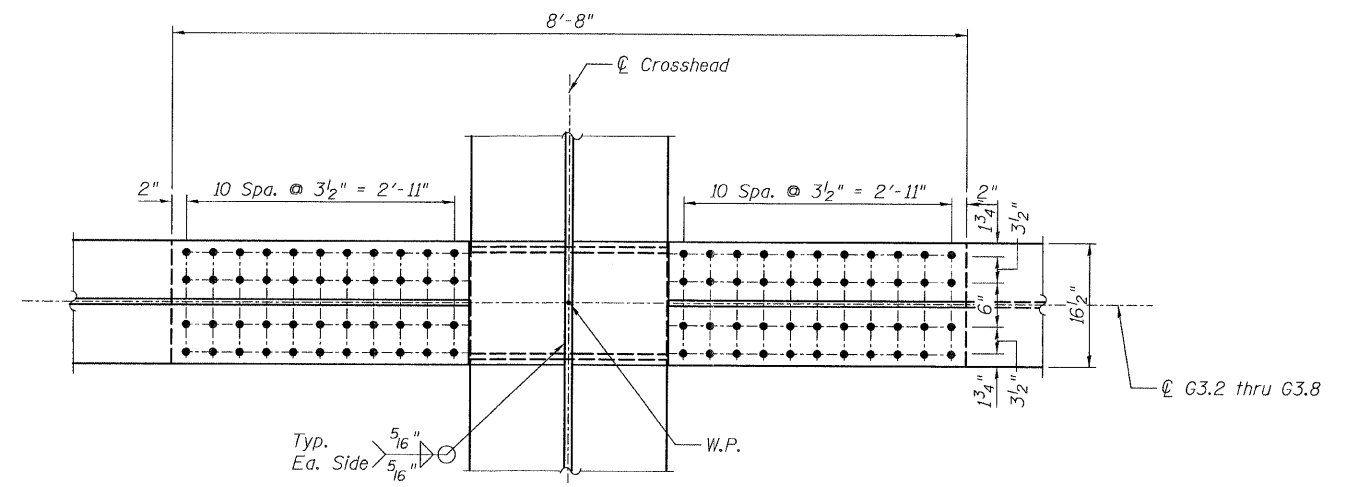


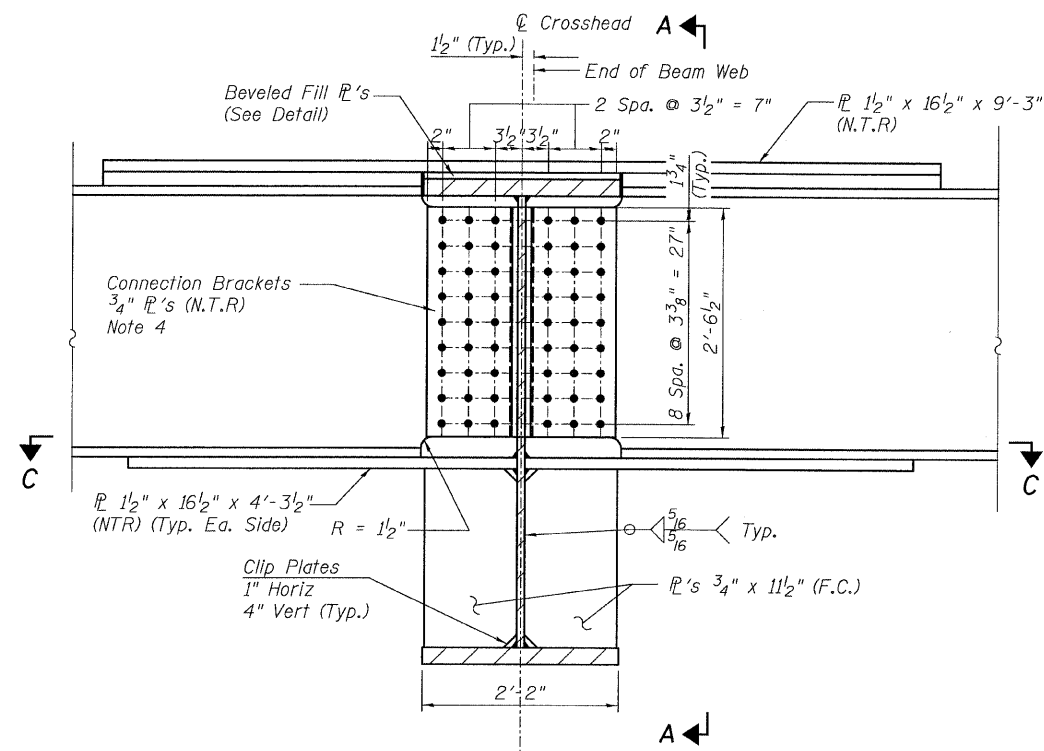
STATE OF ILLINOIS
DEPARTMENT OF TRANSPORTATION



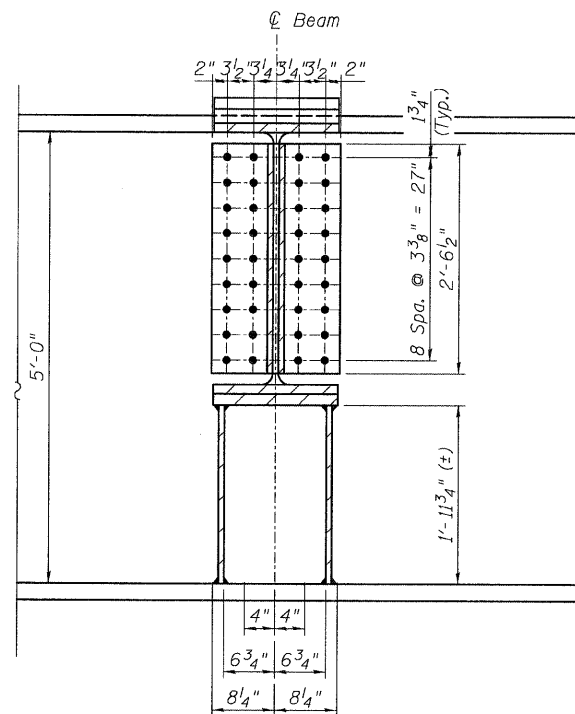
DETAIL 32
(Top Flange)



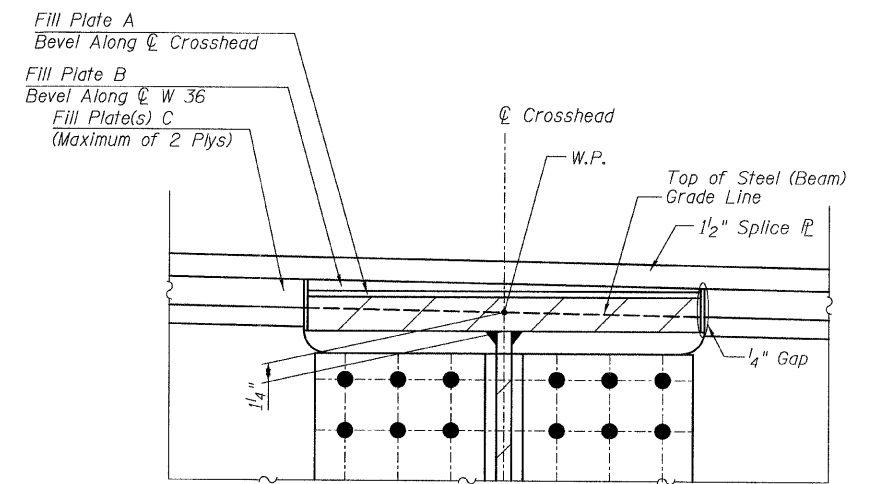
SECTION C-C
(Bottom Flange)



SECTION B-B



SECTION A-A



FILL PLATE DETAIL

NOTES:

- All steel shall be AASHTO M 270 Grade 50.
- All bolts shall be 1" ϕ with 1 1/16" ϕ holes.
- Load carrying components designated "N.T.R." shall conform to the supplemental requirements for Notch Toughness, Zone 2.
- 3/4" Connection brackets can be fabricated from single bent plate or 2 plates utilizing a pre-qualified, full penetration corner joint welded assembly.

TYLIN INTERNATIONAL

DESIGNED - JPN	REVISIONS	
	NAME	DATE
CHECKED - AMD,		
DRAWN - JMA		
CHECKED - AMD,		
DATE - 08/02/10		

SHEET NO. 108 137 SHEETS	F.A.I. RTE.	SECTION	COUNTY	TOTAL SHEETS	SHEET NO.
	55	0711.2R & 1011.1BR	COOK	200	138
CONTRACT NO. 60L39					
FED. ROAD DIST. NO. 1 ILLINOIS FED. AID PROJECT					

CONNECTION DETAIL 32
RAMP 3 FLARE
STRUCTURE NO. 016-0724