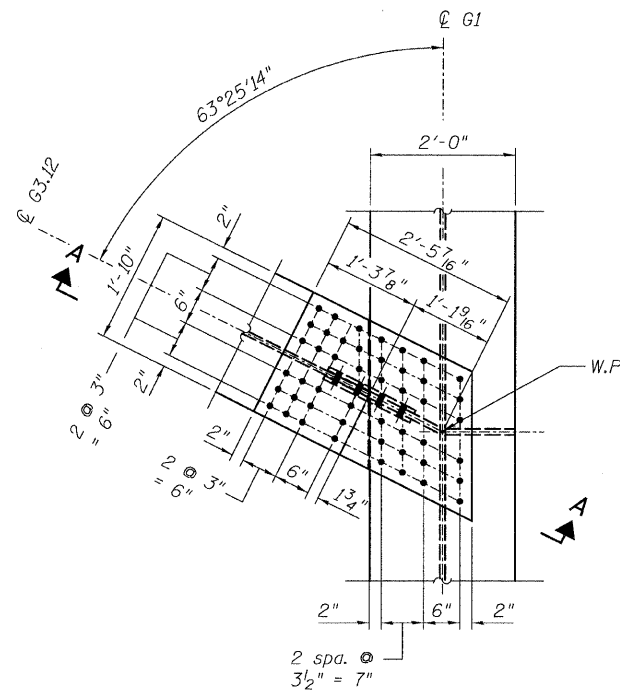
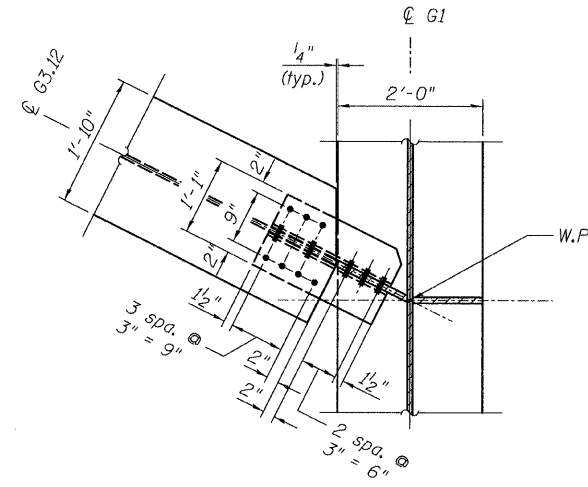


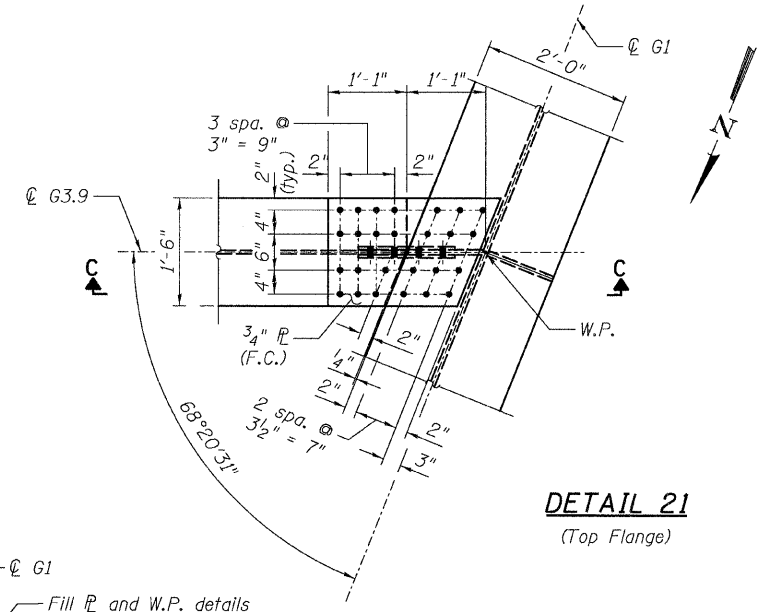
STATE OF ILLINOIS  
DEPARTMENT OF TRANSPORTATION



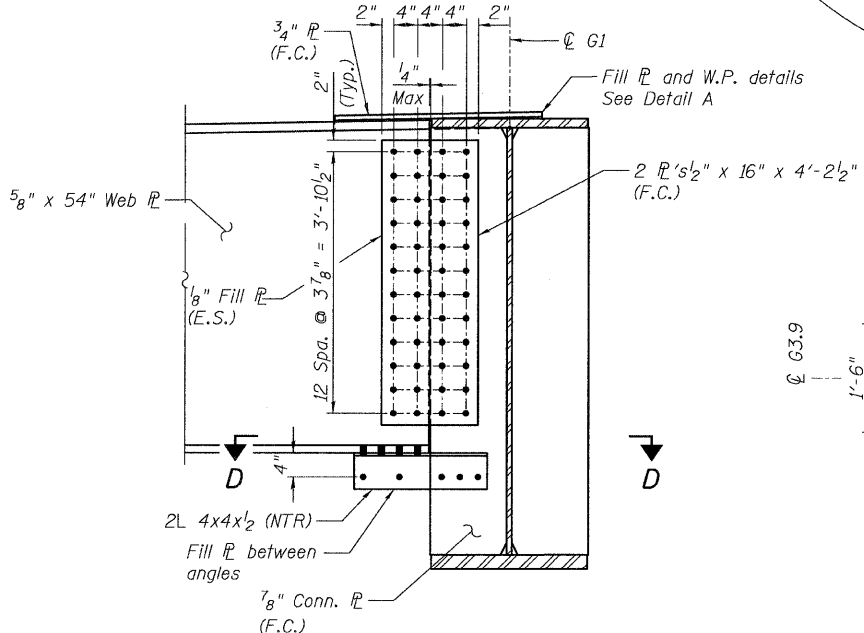
**DETAIL 20**  
(Top Flange)



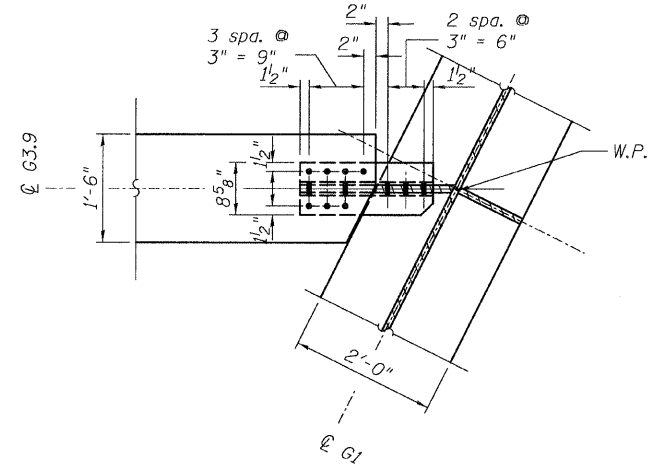
**SECTION B-B**  
(Bottom Flange)



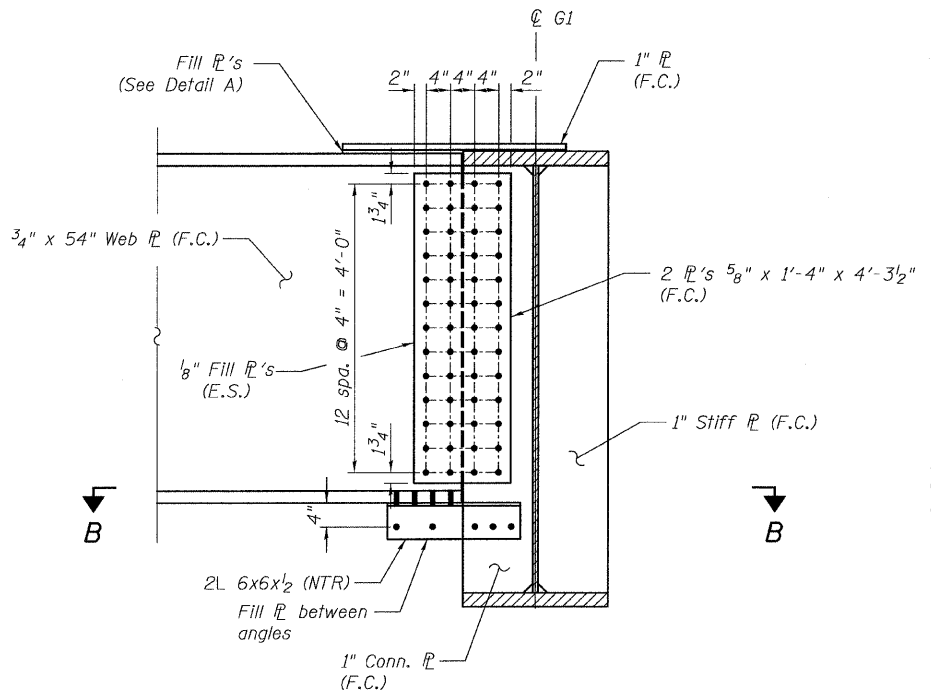
**DETAIL 21**  
(Top Flange)



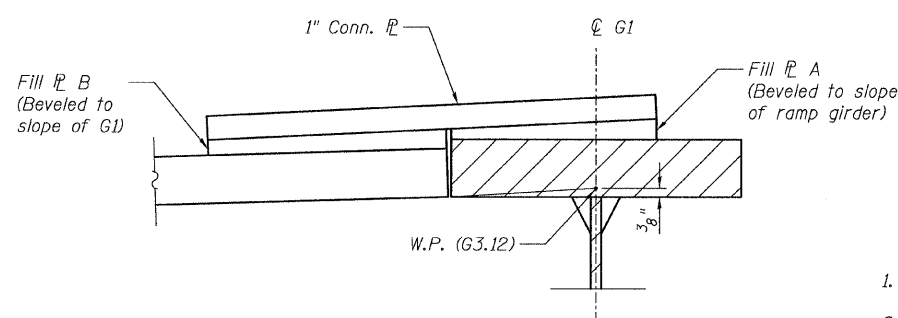
**SECTION C-C**



**SECTION D-D**  
(Bottom Flange)



**SECTION A-A**



**DETAIL A**  
(Not to scale)

**NOTES:**

- All steel shall be AASHTO M 270 Grade 50.
- F.C. indicates Fracture Critical Material, AASHTO Zone 2.
- Load carrying components designated "N.T.R." shall conform to the supplemental requirements for Notch Toughness, Zone 2.

**CONNECTION DETAILS 20 & 21**  
**RAMP 3 FLARE**  
**STRUCTURE NO. 016-0724**

**TYLIN INTERNATIONAL**

DESIGNED - JPN	REVISIONS	
CHECKED - AMD,	NAME	DATE
DRAWN - MAU		
CHECKED - AMD,		
DATE - 08/02/10		

SHEET NO. 102 137 SHEETS	F.A.I. RTE.	SECTION	COUNTY	TOTAL SHEETS	SHEET NO.
	55	0711.2R & 1011.1BR	COOK	200	132
			CONTRACT NO. 60L39		
FED. ROAD DIST. NO. 1 ILLINOIS FED. AID PROJECT					

8/5/2010 2:51:27 PM p:\21345\beam and bearing fabrication\155131\Framed13.dgn