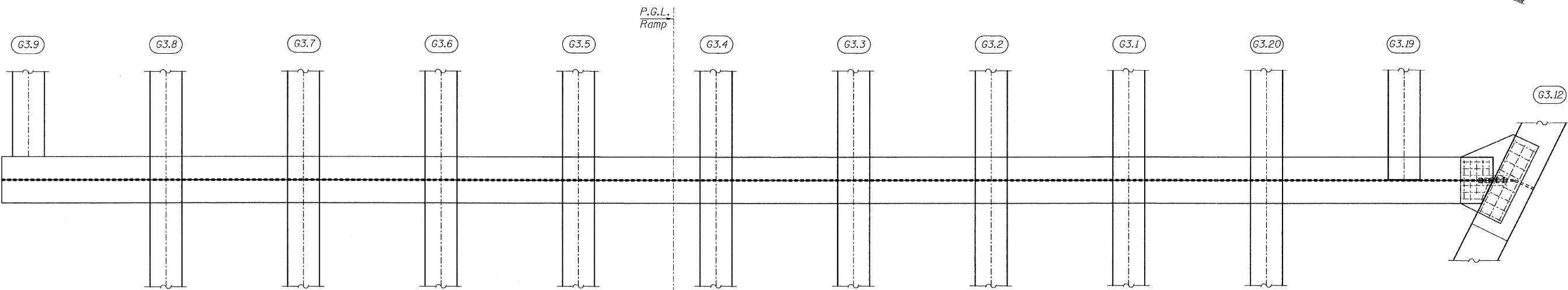
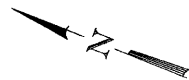
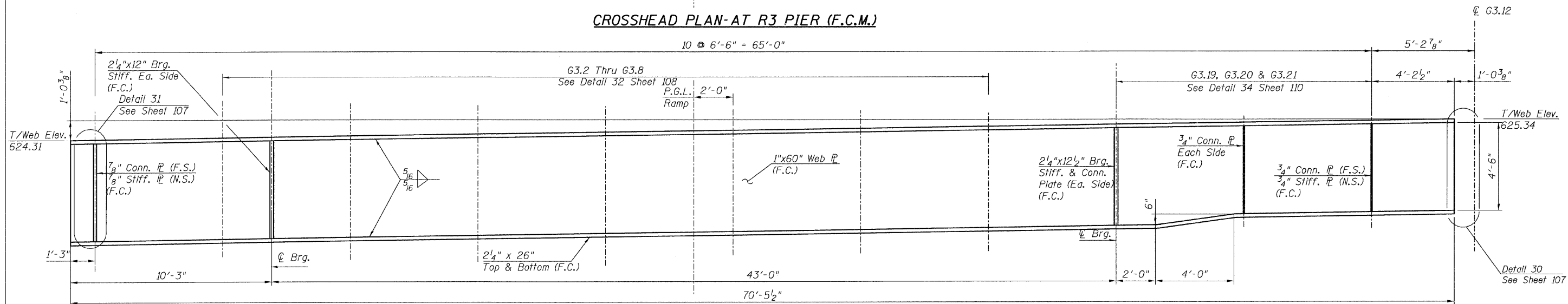


STATE OF ILLINOIS
DEPARTMENT OF TRANSPORTATION



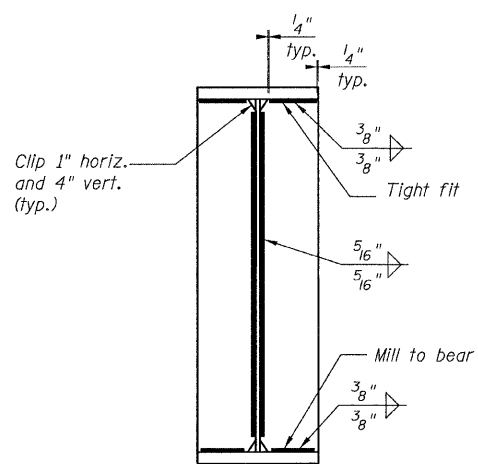
CROSSHEAD PLAN-AT R3 PIER (F.C.M.)



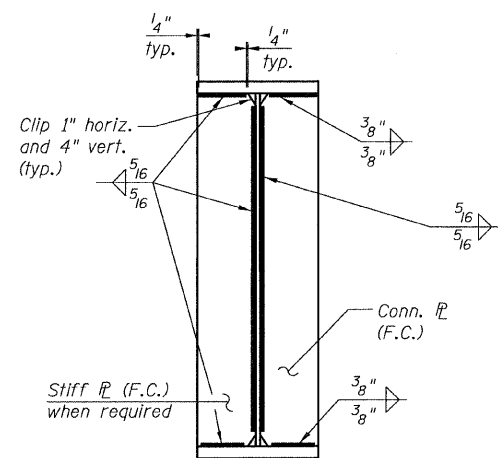
CROSSHEAD ELEVATION-AT R3 PIER (F.C.M.)
(LOOKING WEST)

NOTES:

- All steel shown on this sheet shall be AASHTO M 270 Grade 50.
- Load carrying components designated "NTR" shall conform to the Supplemental Requirements for Notch Toughness, Zone 2.
- F.C. indicates Fracture Critical Material, AASHTO Zone II.



BEARING STIFFENER



CONNECTION PLATE
DETAIL

CROSSHEAD DETAILS
RAMP 3 FLARE
STRUCTURE NO. 016-0724

TYLIN INTERNATIONAL	DESIGNED - JPN	REVISIONS		SHEET NO. 100 137 SHEETS	F.A.I. RTE. 55	SECTION 0711.2R & 1011.1BR	COUNTY COOK	TOTAL SHEETS 200	SHEET NO. 130	
	CHECKED - AMD,	NAME	DATE		CONTRACT NO. 60L39					
	DRAWN - JMA				FED. ROAD DIST. NO. 1 ILLINOIS FED. AID PROJECT					
	CHECKED - AMD,									
	DATE - 08/02/10									