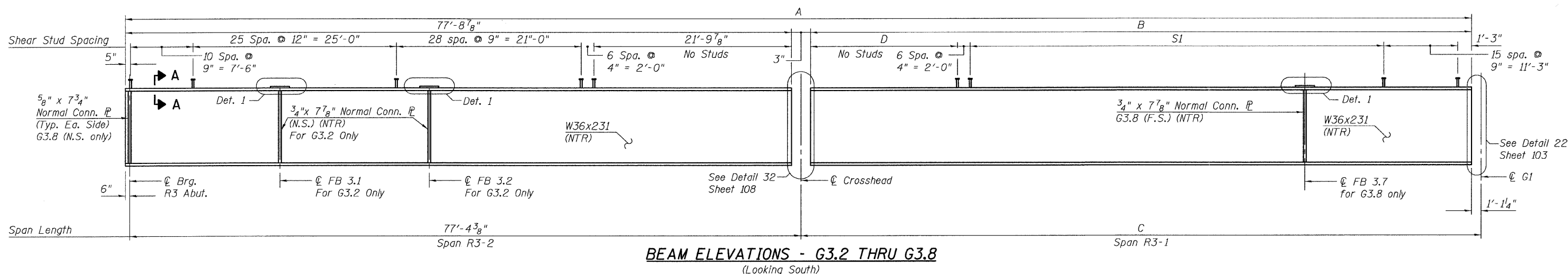
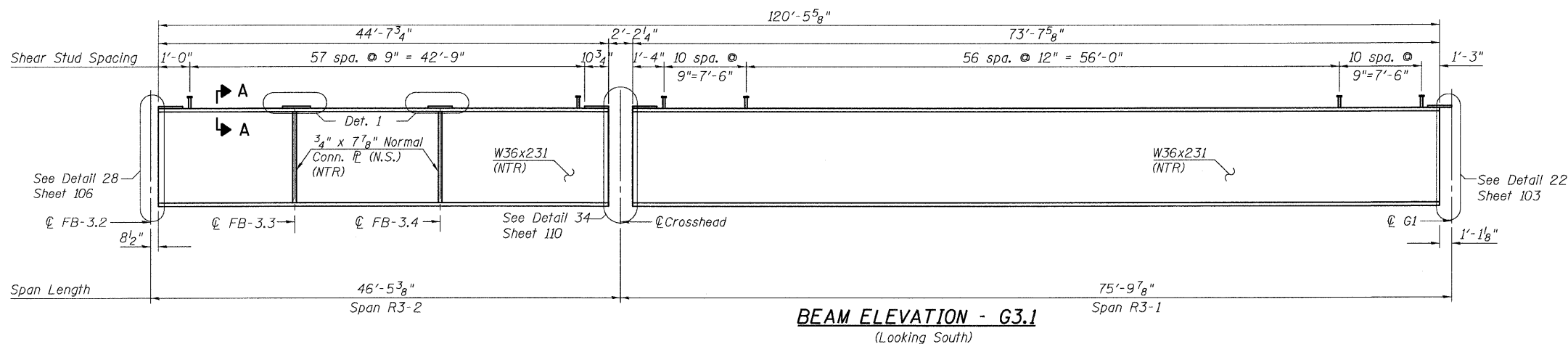


STATE OF ILLINOIS
DEPARTMENT OF TRANSPORTATION

TABLE OF BEAM DIMENSIONS
(G3.2 THRU G3.8)

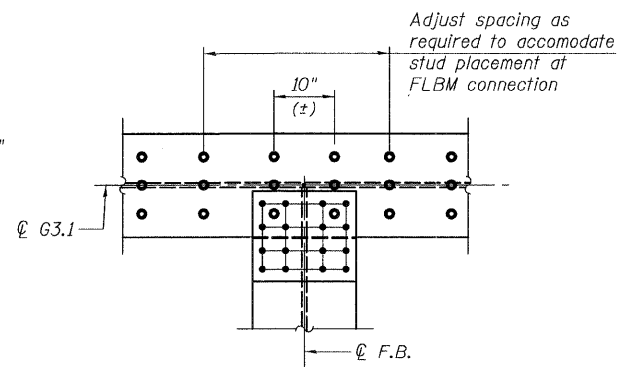
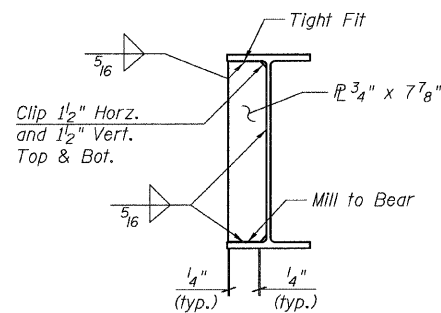
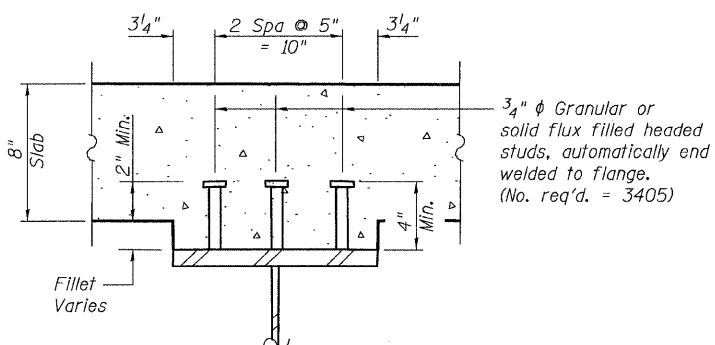
Girder	A	B	C
G3.2	155'-2 1/16"	77'-2 3/16"	78'-4 1/16"
G3.3	157'-9 1/16"	79'-9 1/16"	80'-11 3/4"
G3.4	160'-4"	82'-4 1/8"	83'-6 3/4"
G3.5	162'-10 1/16"	84'-11 1/16"	86'-1 1/16"
G3.6	165'-5 1/16"	87'-6 1/16"	88'-8 1/16"
G3.7	168'-0 1/16"	90'-1"	91'-3 5/8"
G3.8	170'-7 1/8"	92'-7 1/16"	93'-10 3/16"



SHEAR STUD SPACING

Girder	S1	*D
G3.2	46 spa. @ 12" = 46'-0"	16'-9"
G3.3	46 spa. @ 12" = 46'-0"	19'-4"
G3.4	48 spa. @ 12" = 48'-0"	19'-11"
G3.5	50 spa. @ 12" = 50'-0"	20'-6"
G3.6	53 spa. @ 12" = 53'-0"	20'-1"
G3.7	55 spa. @ 12" = 55'-0"	20'-8"
G3.8	58 spa. @ 12" = 58'-0"	20'-2"

* Indicates rounded to nearest inch



NOTES:

- All steel shown on this sheet shall be Conform to the requirements of AASHTO M270 GR 50.
- Load carrying components designated "NTR" shall conform to the Supplemental Requirements for Notch Toughness, Zone 2.

GIRDER ELEVATIONS 1
RAMP 3 FLARE
STRUCTURE NO. 016-0724

TYLIN INTERNATIONAL

DESIGNED - JPN	REVISIONS	
CHECKED - AMD,	NAME	DATE
DRAWN - JMA		
CHECKED - AMD,		
DATE - 08/02/10		

SHEET NO. 96 137 SHEETS	F.A.I RTE.	SECTION	COUNTY	TOTAL SHEETS	SHEET NO.
	55	0711.2R & 1011.1BR	COOK	200	126
FED. ROAD DIST. NO. 1 ILLINOIS			FED. AID PROJECT		

CONTRACT NO. 60L39