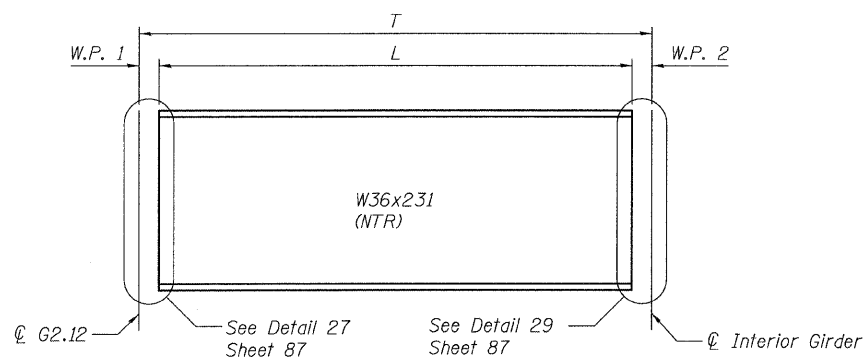
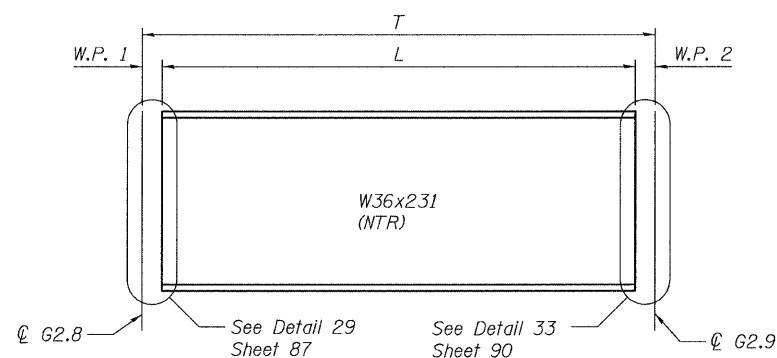


STATE OF ILLINOIS
DEPARTMENT OF TRANSPORTATION



FLOOR BEAM ELEVATION

(FB-2.1 & FB-2.3)
(Looking West)

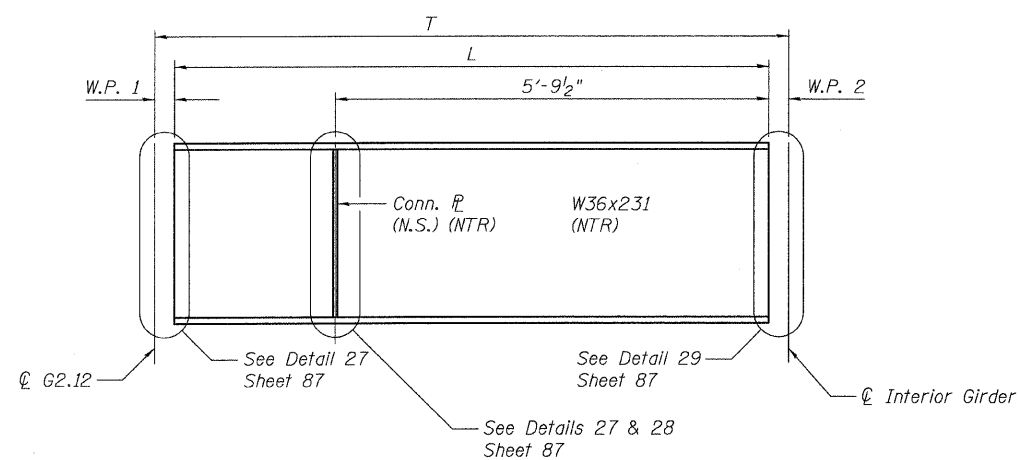


F.B. 2.7 ELEVATION

(Looking West)

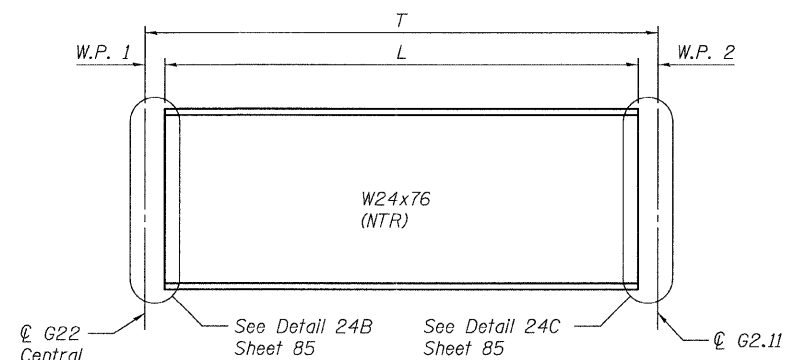
Floor Beam	W.P. 1	W.P. 2	L	T
FB-2.2	11'-8"	8'-2"	7'-8 3/8"	9'-4 1/4"
FB-2.4	11'-3 1/4"	8'-2"	8'-0 1/8"	9'-8 3/8"
FB-2.5	1'-0 3/4"	8'-2"	7'-9 1/16"	9'-6 5/16"
FB-2.6	1'-1 3/8"	8'-2"	7'-8 1/16"	9'-5 15/16"

Floor Beam	W.P. 1	W.P. 2	L	T
FB-2.1	11'-4"	8'-2"	5'-6 15/16"	7'-2 1/16"
FB-2.3	11'-2"	8'-2"	4'-0 13/16"	5'-8 15/16"
FB-2.7	8'-2"	9'-4"	5'-0 1/4"	6'-6"
FB-2.8	1'-0 1/4"	2"	11'-3 3/4"	12'-6"



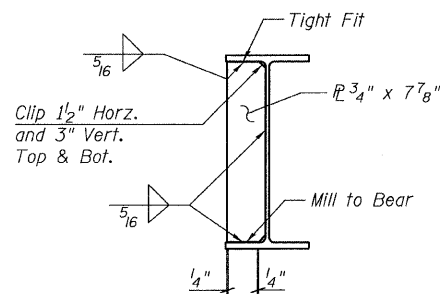
FLOOR BEAM ELEVATION

(FB-2.2, FB-2.4 thru FB-2.6)
(Looking West)



F.B. 2.8 ELEVATION

(Looking South)



CONN. PL DETAILS

(W36x231)

NOTES:

- All steel shown on this sheet shall be Conform to the requirements of AASHTO M270 GR 50.
- Load carrying components designated "NTR" shall conform to the supplemental requirements for Notch Toughness, Zone 2.

**FLOOR BEAM DETAILS
RAMP 2 FLARE
STRUCTURE NO. 016-0724**

TYLIN INTERNATIONAL	DESIGNED - MI	REVISIONS		SHEET NO. 82	F.A.I. RTE. 55	SECTION 0711.2R & 1011.1BR	COUNTY COOK	TOTAL SHEETS	SHEET NO.
	CHECKED - AMD, TD, MAI	NAME	DATE					200	112
	DRAWN - DJR, SB, RLB							CONTRACT NO. 60L39	
	CHECKED - AMD, TD, MAI							FED. ROAD DIST. NO. 1 ILLINOIS FED. AID PROJECT	
	DATE - 08/02/10			137 SHEETS					