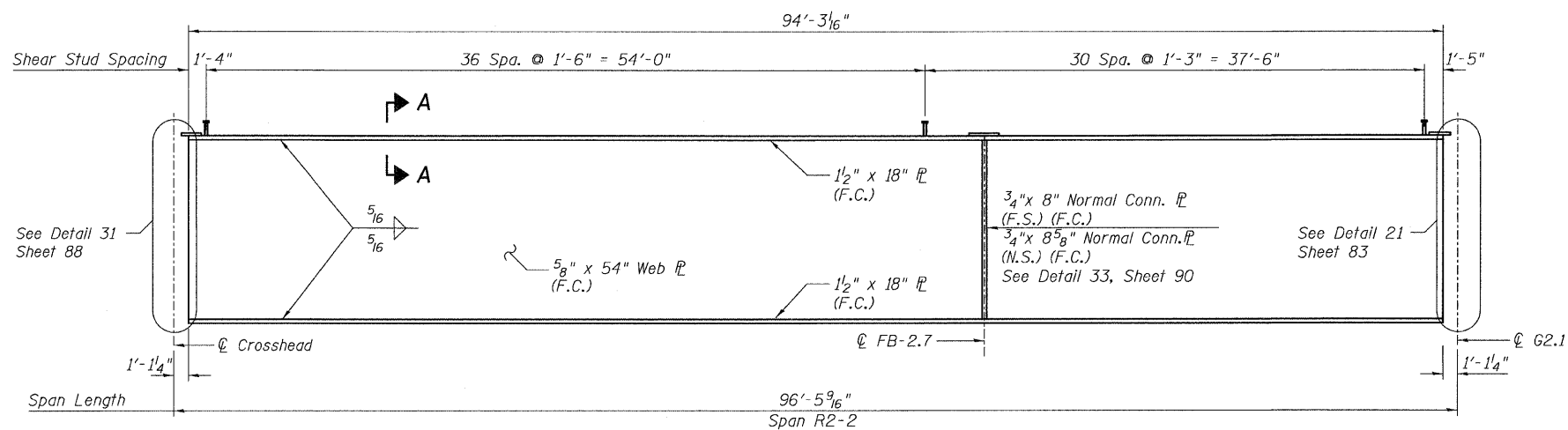
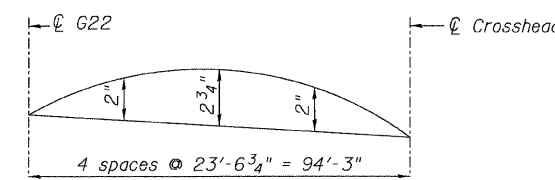


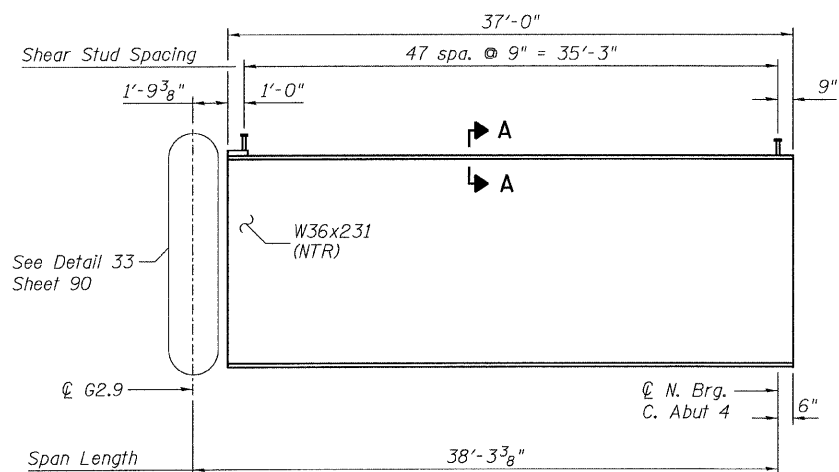
STATE OF ILLINOIS  
DEPARTMENT OF TRANSPORTATION



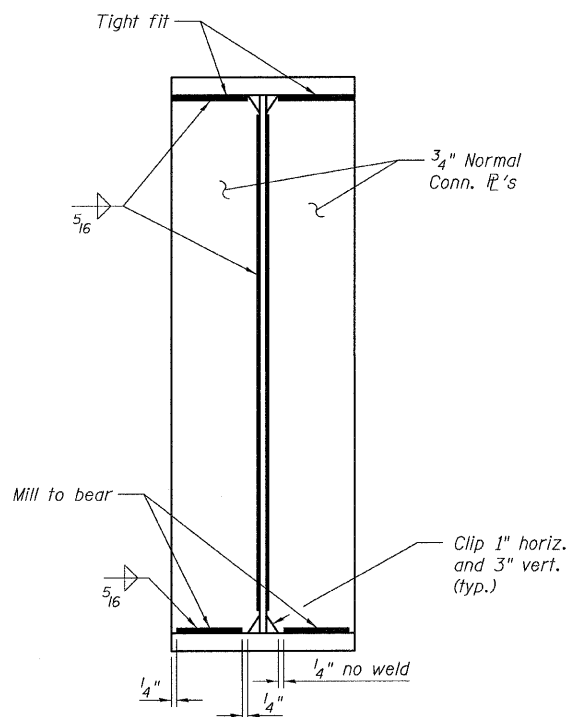
**GIRDER ELEVATION - G2.9**  
(Looking North)



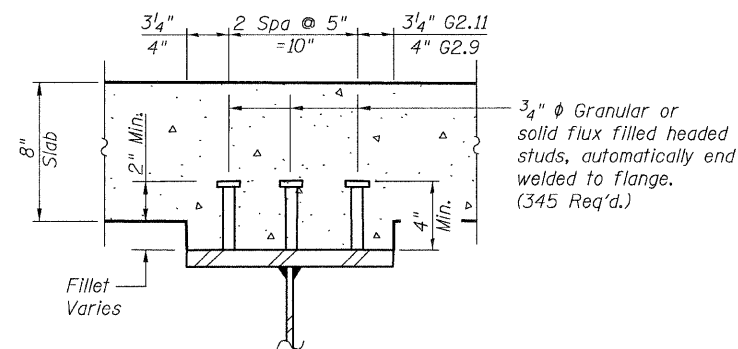
**CAMBER DIAGRAM**  
Girder G2.9



**GIRDER ELEVATION - G2.11**  
(Looking North)



**CONNECTION P**



**SECTION A-A**  
(Not in contract)

**NOTES:**

- All steel shown on this sheet shall be Conform to the requirements of AASHTO M270 GR 50.
- Load carrying components designated "NTR" shall conform to the Supplemental Requirements for Notch Toughness, Zone 2.
- F.C. denotes Fracture Critical Material AASHTO Zone II.

**GIRDER ELEVATIONS 2**  
**RAMP 2 FLARE**  
**STRUCTURE NO. 016-0724**

<b>TYLIN INTERNATIONAL</b>	DESIGNED - JPN	REVISIONS		SHEET NO. 78	F.A.I RTE.	SECTION	COUNTY	TOTAL SHEETS	SHEET NO.							
	CHECKED - AMD,	NAME	DATE							137 SHEETS	55	0711.2R & 1011.1BR	COOK	200	108	
	DRAWN - MAU															CONTRACT NO. 60L39
	CHECKED - AMD,															
	DATE - 08/02/10															
			FED. ROAD DIST. NO. 1 ILLINOIS FED. AID PROJECT													

4:42:00 PM

p:\01345\beam and bearing fabrication\55f2famedt14.dgn

8/13/2010