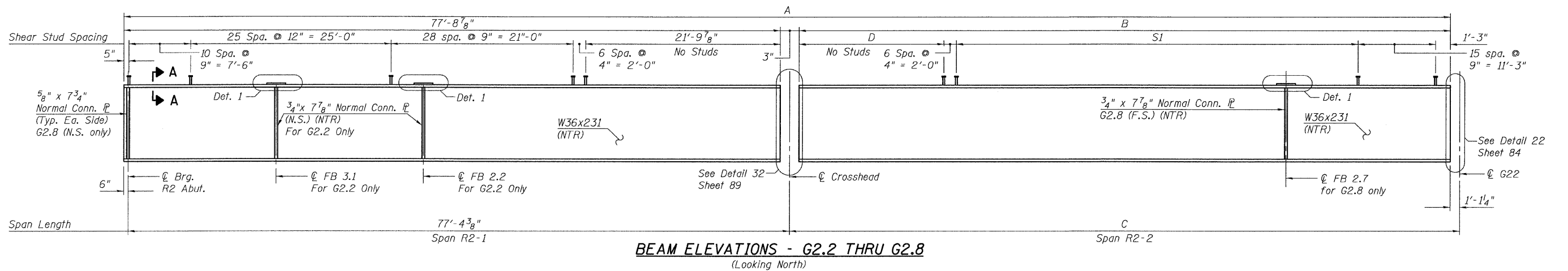
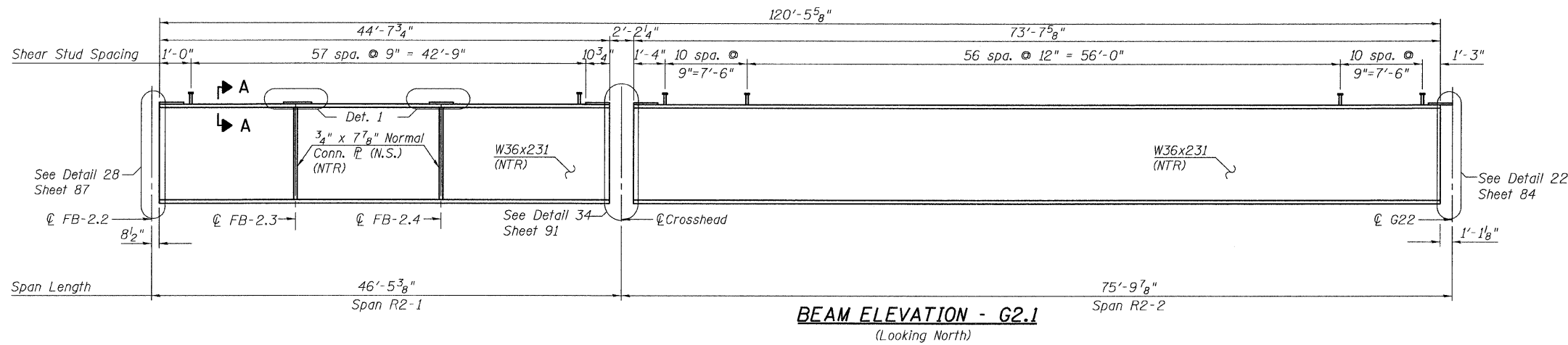


STATE OF ILLINOIS
DEPARTMENT OF TRANSPORTATION

TABLE OF BEAM DIMENSIONS
(G2.2 THRU G2.8)

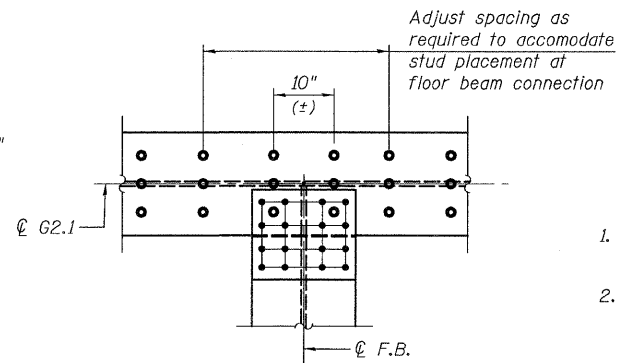
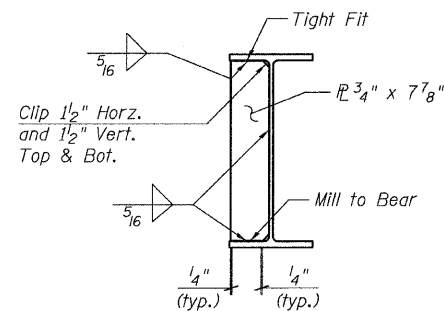
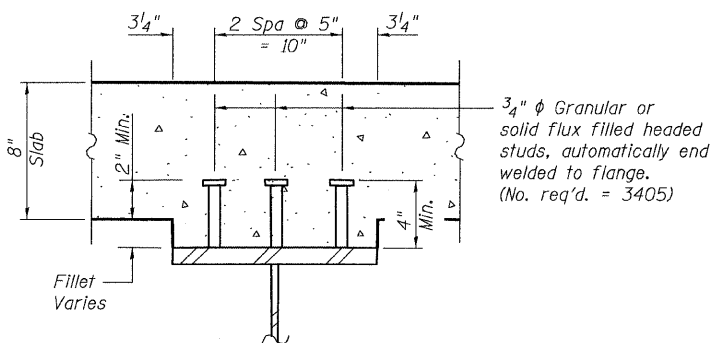
Girder	A	B	C
G2.2	155'-2 ¹ / ₁₆ "	77'-2 ³ / ₁₆ "	78'-4 ¹⁵ / ₁₆ "
G2.3	157'-9 ¹ / ₁₆ "	79'-9 ¹ / ₁₆ "	80'-11 ³ / ₄ "
G2.4	160'-4"	82'-4 ¹ / ₈ "	83'-6 ³ / ₄ "
G2.5	162'-10 ¹⁵ / ₁₆ "	84'-11 ¹ / ₁₆ "	86'-1 ¹ / ₁₆ "
G2.6	165'-5 ¹⁵ / ₁₆ "	87'-6 ¹ / ₁₆ "	88'-8 ¹ / ₁₆ "
G2.7	168'-0 ¹⁵ / ₁₆ "	90'-1"	91'-3 ⁵ / ₈ "
G2.8	170'-7 ¹ / ₈ "	92'-7 ¹⁵ / ₁₆ "	93'-10 ³ / ₁₆ "



SHEAR STUD SPACING

Girder	S1	*D
G2.2	46 spa. @ 12" = 46'-0"	16'-9"
G2.3	46 spa. @ 12" = 46'-0"	19'-4"
G2.4	48 spa. @ 12" = 48'-0"	19'-11"
G2.5	50 spa. @ 12" = 50'-0"	20'-6"
G2.6	53 spa. @ 12" = 53'-0"	20'-1"
G2.7	55 spa. @ 12" = 55'-0"	20'-8"
G2.8	58 spa. @ 12" = 58'-0"	20'-2"

* Indicates rounded to nearest inch



NOTES:

- All steel shown on this sheet shall be Conform to the requirements of AASHTO M270 GR 50.
- Load carrying components designated "NTR" shall conform to the Supplemental Requirements for Notch Toughness, Zone 2.

**GIRDER ELEVATIONS 1
RAMP 2 FLARE
STRUCTURE NO. 016-0724**

TYLIN INTERNATIONAL	DESIGNED - JPN	REVISIONS		SHEET NO. 77	F.A.I RTE.	SECTION	COUNTY	TOTAL SHEETS	SHEET NO.						
	CHECKED - AMD,	NAME	DATE							137 SHEETS	0711.2R & 1011.1BR	COOK	200	107	
	DRAWN - DJR														CONTRACT NO. 60L39
	CHECKED - AMD,														
DATE - 08/02/10			FED. ROAD DIST. NO. 1	ILLINOIS	FED. AID PROJECT										