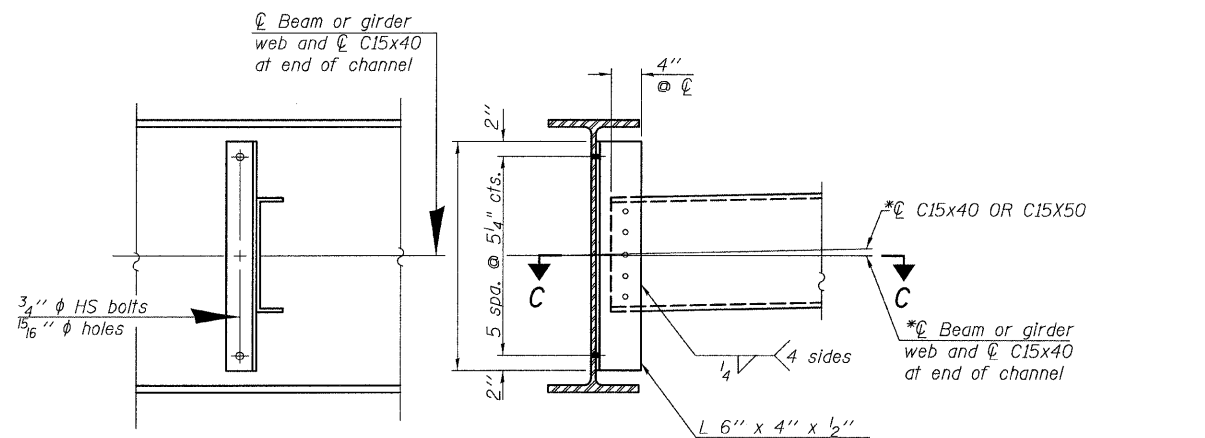
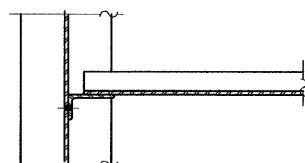


STATE OF ILLINOIS
DEPARTMENT OF TRANSPORTATION

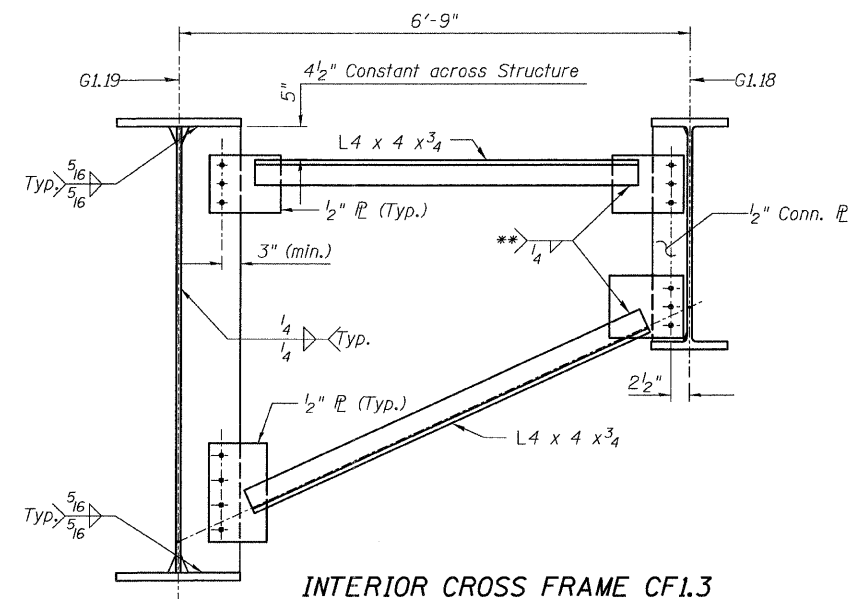


INTERIOR DIAPHRAGM D1.2

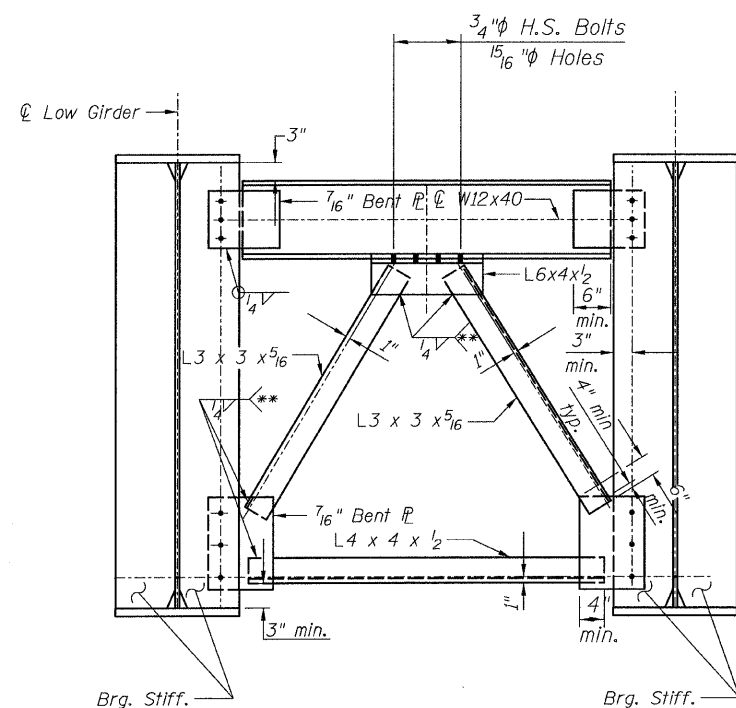
*Alternate channels are permitted to facilitate material acquisition. Calculated weight of structural steel is based on the lighter section. The alternate, if utilized, shall be provided at no additional cost to the Department.



SECTION C-C

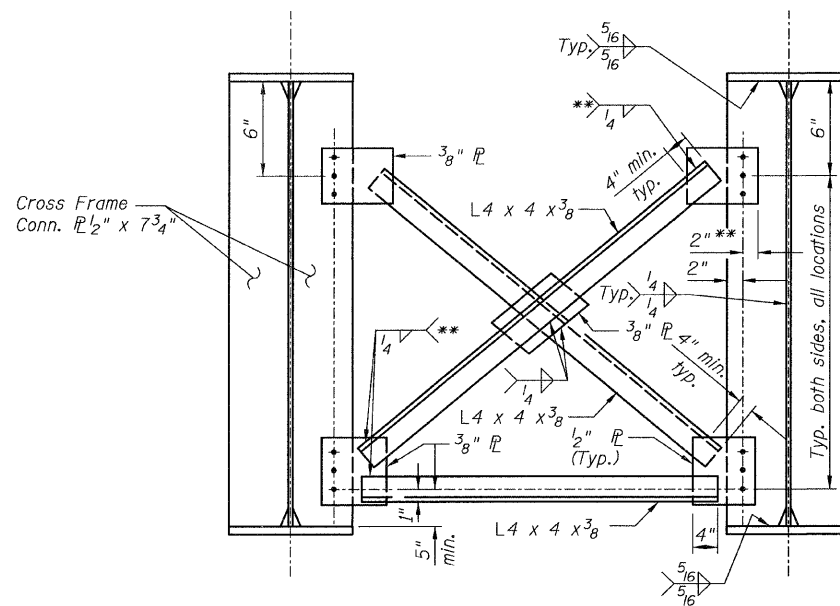


INTERIOR CROSS FRAME CF1.3
(4 Required)



END CROSS FRAME CF1.1
(7 Required)

Note:
Place CrossFrame with channel Flanges and outstanding angle legs outward from abutment backwall. Weld on near side for 7/16\"/>



INTERIOR CROSS FRAME CF1.2
(85 Required)

** Fillet weld angle along 3 sides on one face of gusset plate.

NOTES:

1. All bolts shall be 3/4\"/>
2. Two hardened washers shall be required over all oversize holes for diaphragms.
3. All cross frames or diaphragms shall be installed as steel is erected and secured with erection pins and bolts except as otherwise noted. Individual cross frames or diaphragms at supports may be temporarily disconnected to install bearing anchor rods.

**DIAPHRAGMS & DETAILS
RAMP 1 FLARE
STRUCTURE NO. 016-0724**

TYLIN INTERNATIONAL	DESIGNED - EKH, JMA	REVISIONS		SHEET NO. 74 137 SHEETS	F.A.I. RTE.	SECTION	COUNTY	TOTAL SHEETS	SHEET NO.	
	CHECKED - AMD,	NAME	DATE		55	0711.2R & 1011.1BR	COOK	200	104	
	DRAWN - EKH, JMA				CONTRACT NO. 60L39					
	CHECKED - AMD,				FED. ROAD DIST. NO. 1 ILLINOIS FED. AID PROJECT					
	DATE - 08/02/10									

B:\137\2010\137-016\beam_and_bearing_fabrication\1551\Framed\120.dwg 4/13/2010 4:41:58 PM