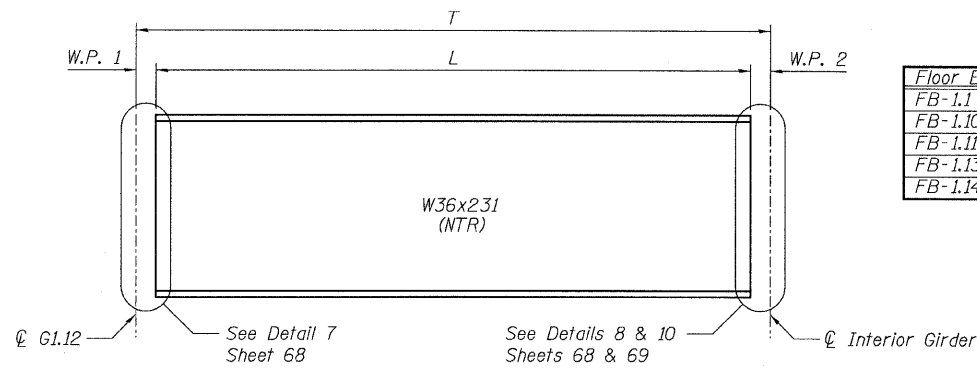
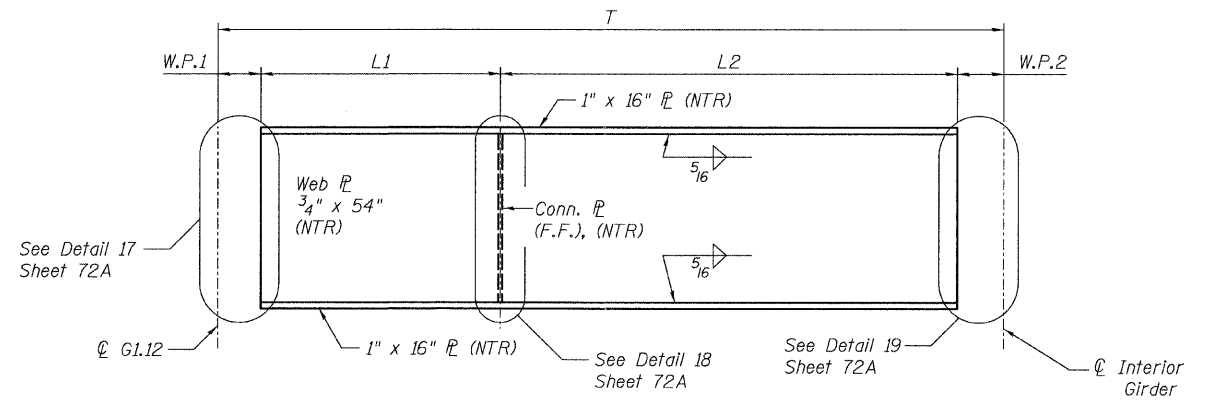


STATE OF ILLINOIS
DEPARTMENT OF TRANSPORTATION



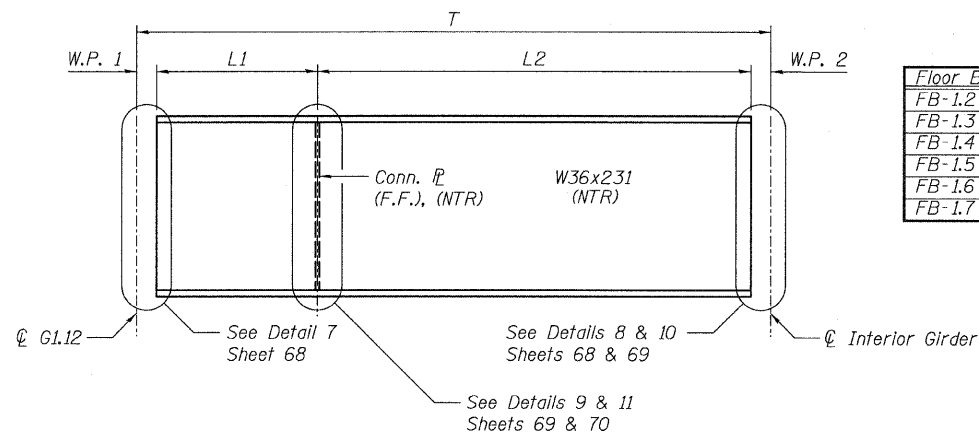
Floor Beam	W.P. 1	W.P. 2	L	T
FB-1.1	1'-2 1/4"	6 1/4"	7'-11 1/2"	9'-8"
FB-1.10	1'-0 1/2"	8 1/4"	6'-6 1/6"	8'-3 3/6"
FB-1.11	1'-0 1/6"	8 1/4"	3'-9 5/8"	5'-6 3/6"
FB-1.13	1'-0 5/6"	8 1/4"	6'-5 5/6"	8'-1 1/8"
FB-1.14	1'-0 1/4"	8 1/4"	5'-4 3/8"	7'-0 7/8"

FLOOR BEAM ELEVATION
(FB-1.1, FB-1.10, FB-1.11, FB-1.13, FB-1.14)



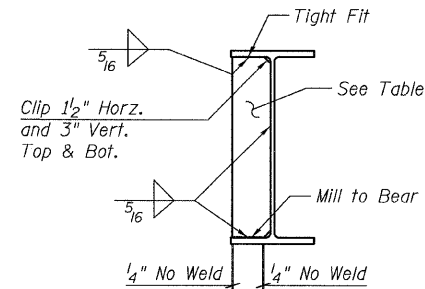
FLOOR BEAM ELEVATION
(FB-1.8, FB-1.9, FB-1.12)
(Looking East)

Floor Beam	W.P.1	W.P.2	L1	L2	T	Conn. P
FB-1.8	1'-0 13/16"	8 1/4"	4'-10"	7'-6 13/16"	12'-4 13/16"	5/8" x 7 3/4"
FB-1.9	1'-0 9/16"	8 1/4"	4'-0 1/8"	7'-6 1/2"	11'-6 3/8"	5/8" x 7 3/4"
FB-1.12	1'-0 3/4"	8 1/4"	2'-3 9/16"	5'-9 3/4"	9'-9 9/16"	3/4" x 7 3/4"

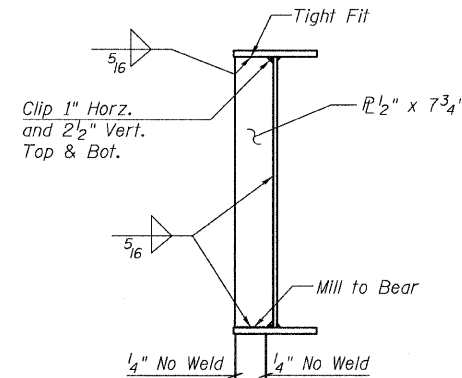


Floor Beam	W.P. 1	W.P. 2	L1	L2	T	Conn. P
FB-1.2	1'-2 1/8"	6 1/4"	3'-2 1/8"	5'-11 3/4"	10'-11"	5/8" x 7 3/4"
FB-1.3	1'-1 1/8"	6 1/4"	3'-2 5/8"	5'-4 3/4"	10'-10 3/16"	5/8" x 7 3/4"
FB-1.4	1'-1 3/8"	8 1/2"	2'-2 3/16"	5'-9 1/2"	9'-9 3/4"	5/8" x 7 3/4"
FB-1.5	1'-1 1/8"	8 1/2"	1'-10 1/2"	5'-9 1/16"	9'-5 13/16"	3/4" x 7 3/4"
FB-1.6	1'-1 1/8"	8 1/2"	2'-2 13/16"	5'-9 1/16"	9'-9 9/16"	3/4" x 7 3/4"
FB-1.7	1'-1"	8 1/4"	3'-2 1/16"	5'-9 3/4"	10'-9 1/16"	3/4" x 7 3/4"

FLOOR BEAM ELEVATION
(FB-1.2 thru FB-1.7)
(Looking East)



CONN. P DETAILS
(FB-1.2 to FB-1.7)



CONN. P DETAILS
(FB-1.8, FB-1.9, FB-1.12)

NOTES:

- All steel shown on this sheet shall conform to the requirements of AASHTO M270 GR 50.
- Load carrying components designated "NTR" shall conform to the supplemental requirements for Notch Toughness, Zone 2.
- F.F. denotes Far Face.

FLOOR BEAM DETAILS
RAMP 1 FLARE
STRUCTURE NO. 016-0724

TYLIN INTERNATIONAL	DESIGNED - EKH, JMA	REVISIONS		SHEET NO. 64	F.A.I. RTE.	SECTION	COUNTY	TOTAL SHEETS	SHEET NO.	
	CHECKED - AMD,	NAME	DATE		55	0711.2R & 1011.1BR	COOK	200	94	
	DRAWN - EKH, JMA				CONTRACT NO. 60L39					
	CHECKED - AMD,				FED. ROAD DIST. NO. 1 ILLINOIS FED. AID PROJECT					
	DATE - 08/02/10			137 SHEETS						

p:\01345\beam_and_bearing_fabrication\551\Framet110.dgn 4:55:52 PM 8/5/2010