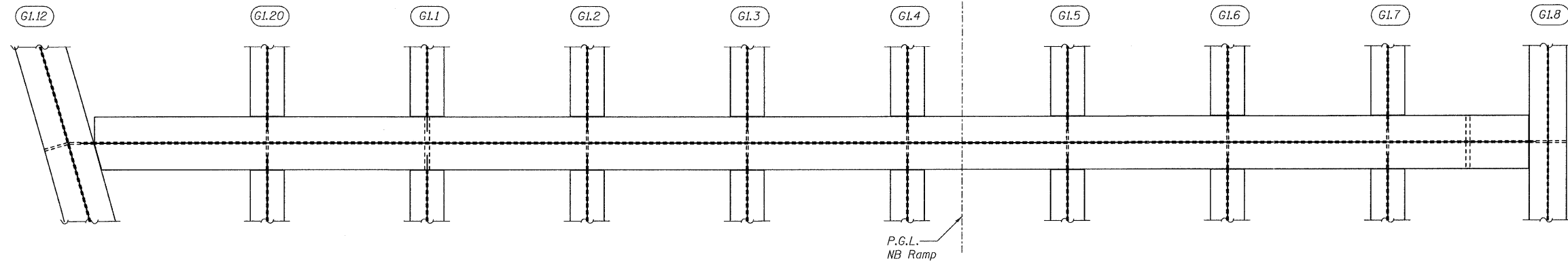
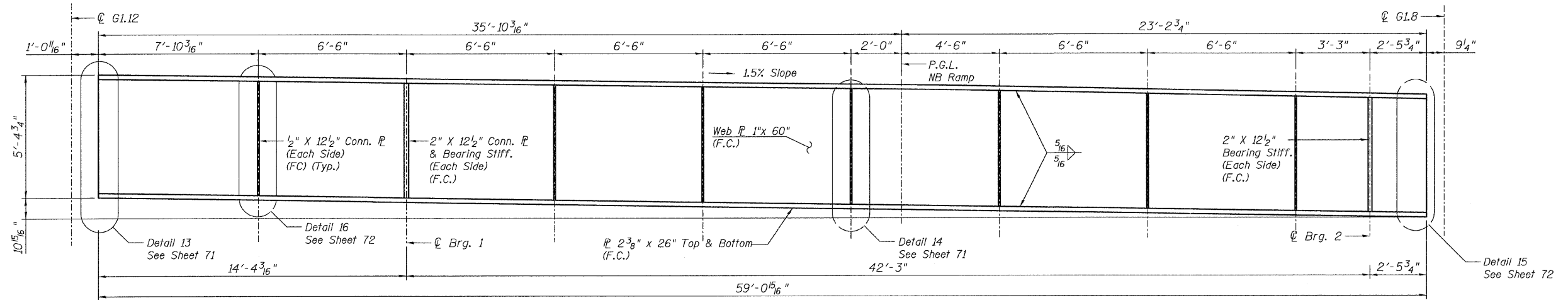


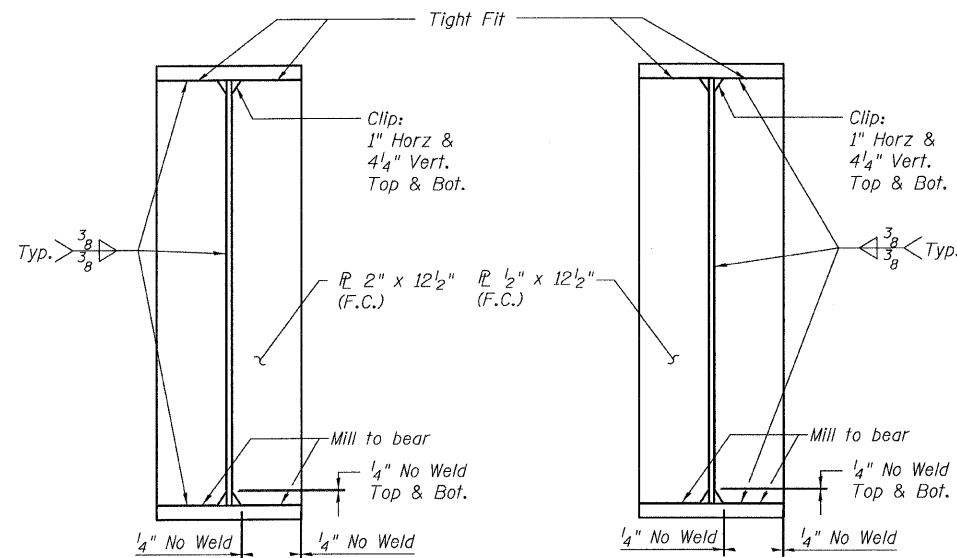
STATE OF ILLINOIS
DEPARTMENT OF TRANSPORTATION



CROSSHEAD PLAN - AT RI PIER
(Top Connection Plates Not Shown for Clarity)



CROSSHEAD ELEVATION - AT RI PIER (F.C.M.)
(Looking East)



Bearing Stiffener Details

Conn. P. Details

TOP OF WEB ELEVATIONS
(For Fabrication Only)

LOCATION	ELEVATION
© Brg. 1	624.28
© Brg. 2	623.65

BEARING SEAT ELEVATIONS
(For Information Only)

LOCATION	ELEVATION
© Brg. 1	618.13
© Brg. 2	617.61

NOTES:

- All steel shown on this sheet shall conform to the requirements of AASHTO M270 GR 50.
- Load carrying components designated "NTR" shall conform to the supplemental requirements for Notch Toughness, Zone 2.
- F.C.M. denotes Fracture Critical Member.
- F.C. denotes Fracture Critical Material, AASHTO Zone II.
- Crosshead shall not be cambered.

CROSSHEAD GIRDER DETAILS
RAMP 1 FLARE
STRUCTURE NO. 016-0724

TYLIN INTERNATIONAL	DESIGNED - EKH, JMA, PK	REVISIONS	
	CHECKED - AMD,	NAME	DATE
	DRAWN - EKH, JMA, PK		
	CHECKED - AMD,		
	DATE - 08/02/10		

SHEET NO. 63 137 SHEETS	F.A.I. RTE.	SECTION	COUNTY	TOTAL SHEETS	SHEET NO.
	55	0711.2R & 1011.1BR	COOK	200	93
FED. ROAD DIST. NO. 1 ILLINOIS			FED. AID PROJECT		
CONTRACT NO. 60L39					

8/13/2010 4:41:52 PM p:\01345\beam and bearing fabrication\5511rampedt19.dgn