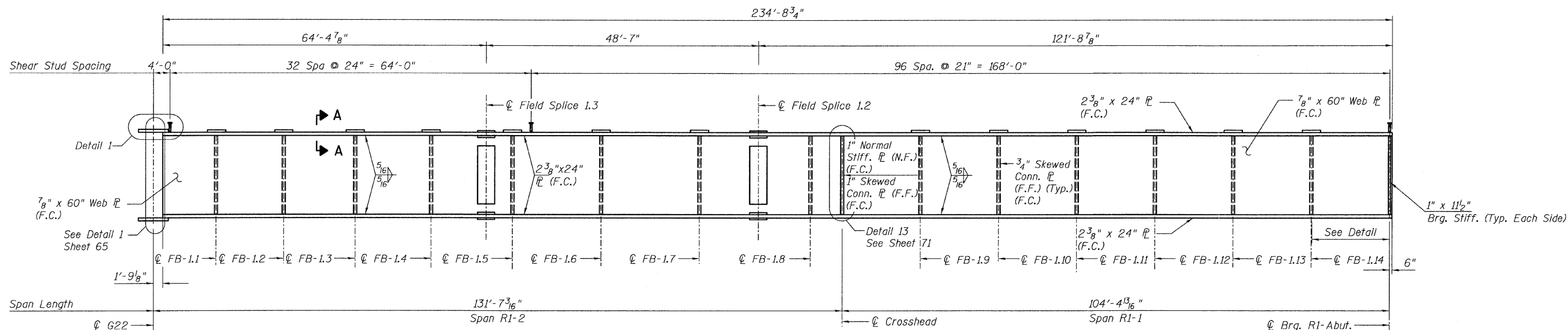
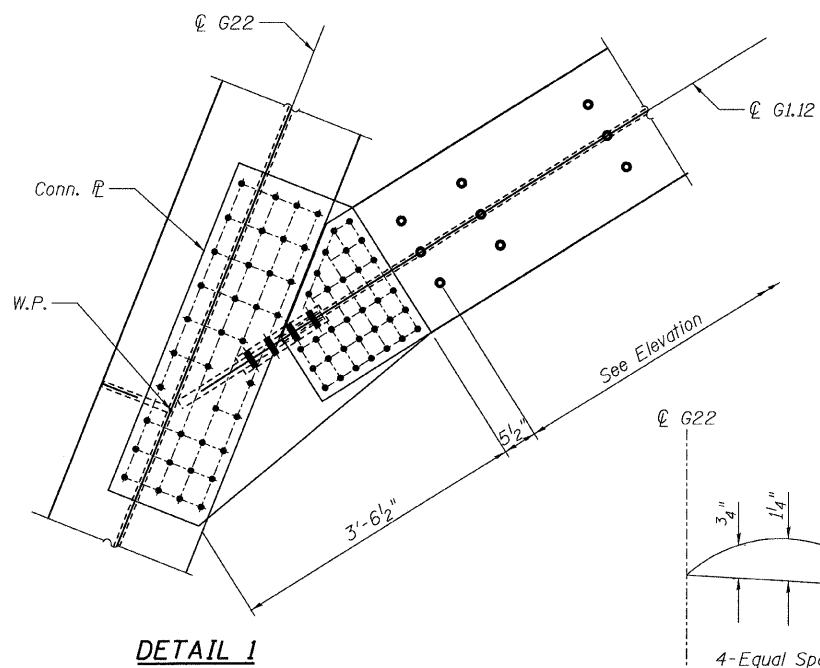


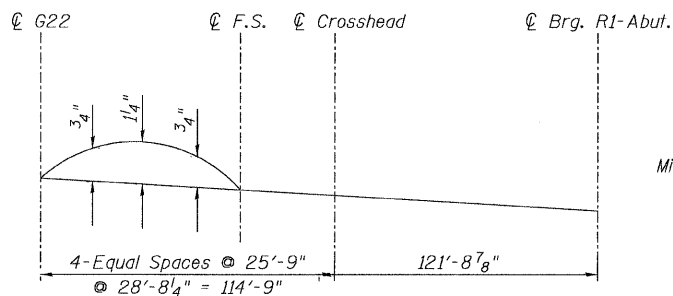
STATE OF ILLINOIS
DEPARTMENT OF TRANSPORTATION



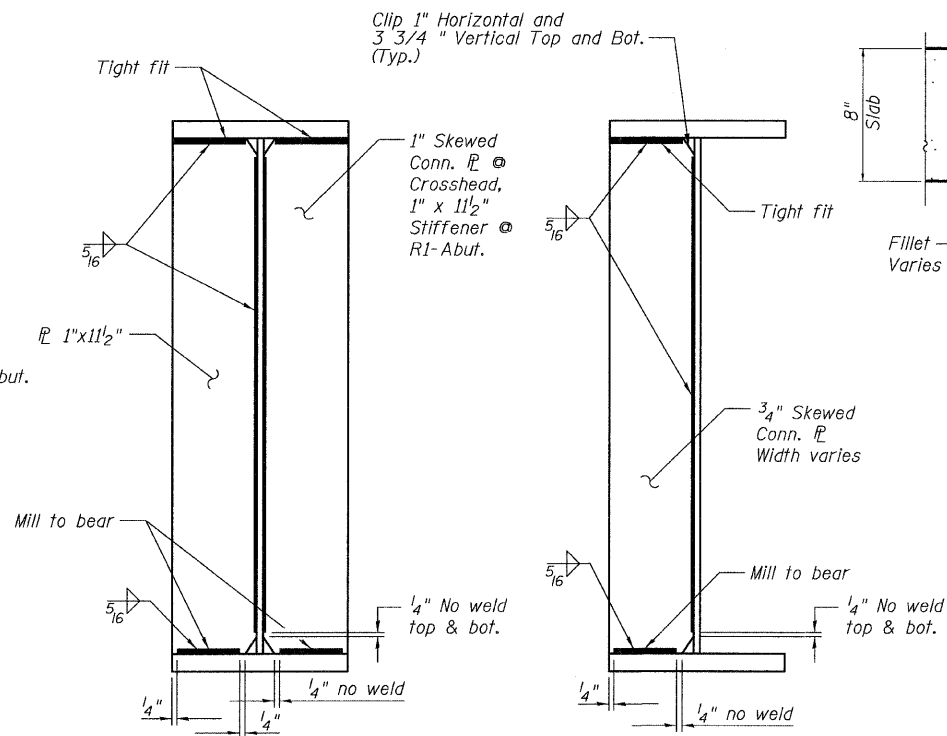
GIRDER ELEVATION - G1.12 (F.C.M)
(Looking South)



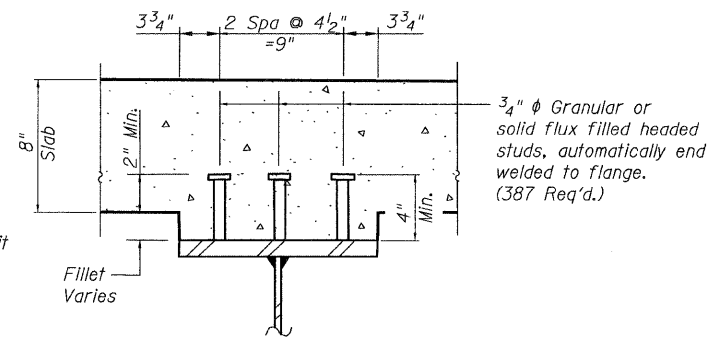
DETAIL 1



CAMBER DIAGRAM



BEARING STIFFENERS



SECTION A-A
Not in contract

TOP OF WEB ELEVATIONS

(For Fabrication Only)

Location	Girder	G1.12
Centerline G22		627.09
Field Splice 1.2		624.88
Centerline Crosshead		624.51
Centerline Bearing RI-Abut.		622.46

CONNECTION P

**GIRDER ELEVATIONS 4
RAMP 1 FLARE
STRUCTURE NO. 016-0724**

NOTES:

- All steel shown on this sheet shall conform to the requirements of AASHTO M270 GR 50.
- Load carrying components designated "NTR" shall conform to the supplemental requirements for Notch Toughness, Zone 2.
- For Field Splice details, See Sheet 73.
- FCM denotes Fracture Critical Member.
- F.C. denotes Fracture Critical Material, AASHTO Zone II.
- N.F. denotes Near Face.
- F.F. denotes Far Face.

TYLIN INTERNATIONAL

DESIGNED - EKH, JMA, PK	REVISIONS	
	NAME	DATE
CHECKED - AMD,		
DRAWN - EKH, JMA, PK		
CHECKED - AMD,		
DATE - 08/02/10		

SHEET NO. 60 137 SHEETS	F.A.I. RTE. 55	SECTION 0711.2R & 1011.1BR	COUNTY COOK	TOTAL SHEETS 200	SHEET NO. 90
	CONTRACT NO. 60L39				
FED. ROAD DIST. NO. 1 ILLINOIS FED. AID PROJECT					