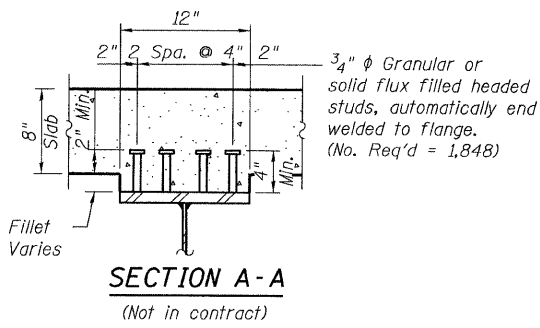
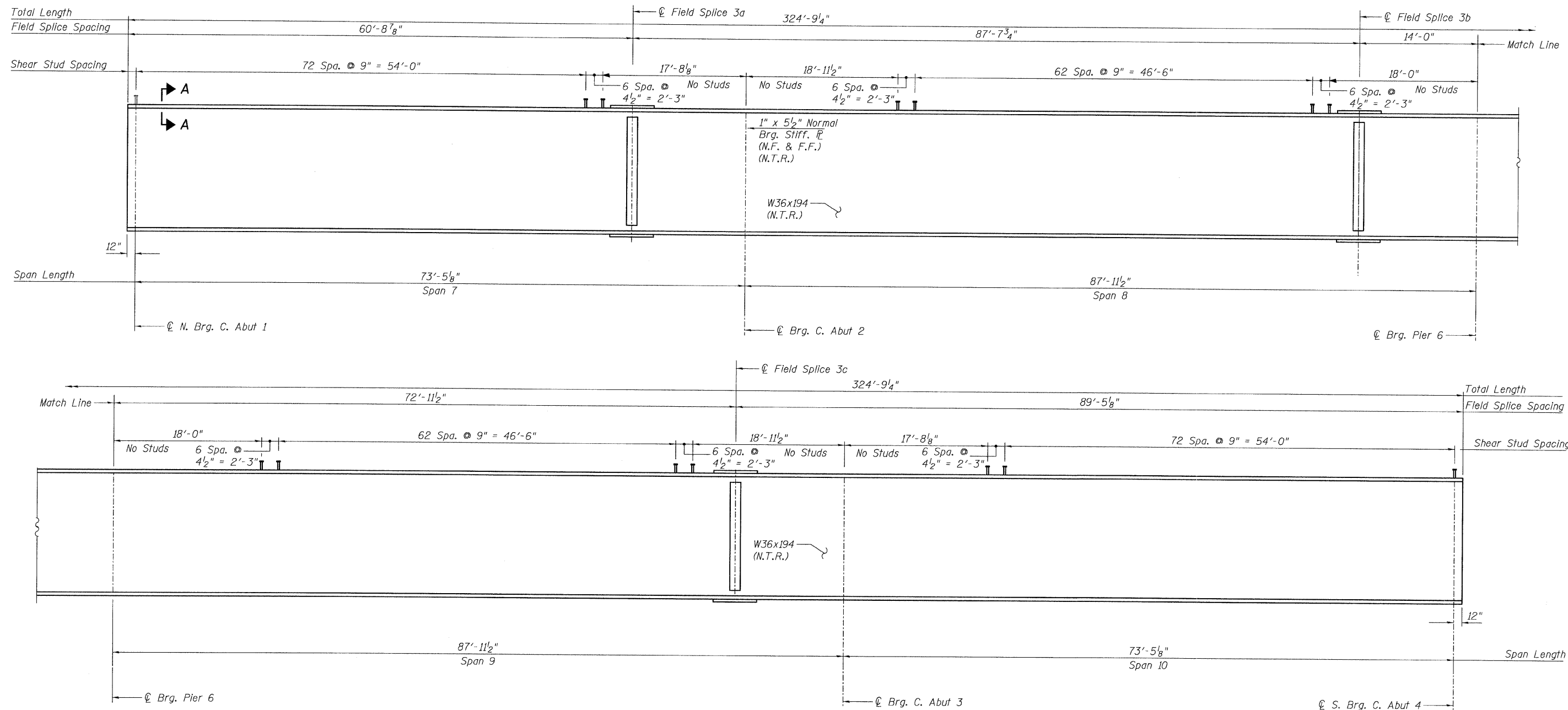


STATE OF ILLINOIS
DEPARTMENT OF TRANSPORTATION



GIRDERS G4 THRU G19 - ELEVATION

(Looking West)
(N.T.R.)

NOTES:

- All steel shown on this sheet shall be AASHTO M 270 Grade 50.
- N.T.R. denotes Notch Toughness Requirements.
- N.F. denotes Near Face.
- F.F. denotes Far Face.

GIRDERS G4 THRU G19 EL
CENTRAL/I-55
STRUCTURE NO. 016-0724

TYLIN INTERNATIONAL

DESIGNED - JMA	REVISIONS	
CHECKED - AMD,	NAME	DATE
DRAWN - JMA		
CHECKED - AMD,		
DATE - 08/02/10		

SHEET NO. 51 137 SHEETS	F.A.I RTE.	SECTION	COUNTY	TOTAL SHEETS	SHEET NO.
	55	0711.2R & 1011.1BR	COOK	200	81
CONTRACT NO. 60L39					
FED. ROAD DIST. NO. 1 ILLINOIS FED. AID PROJECT					

22:33:30 PM
es:\01345\beam and bearing fabrication\155c2beam04-19.dgn
8/27/2010