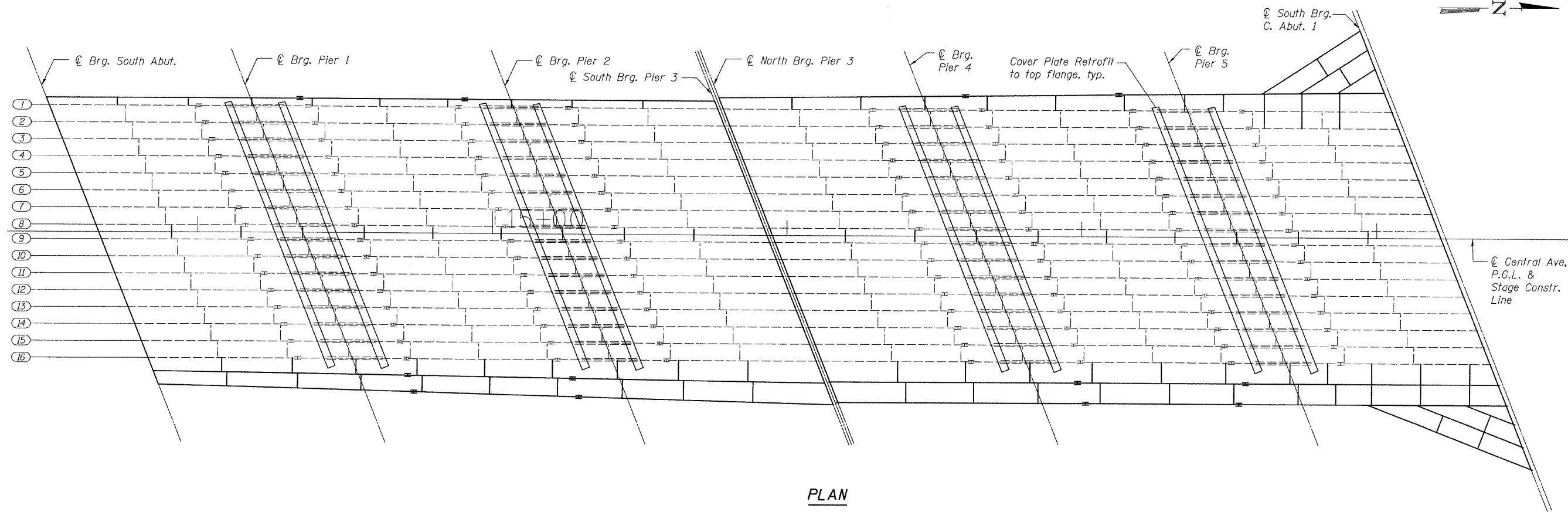
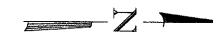
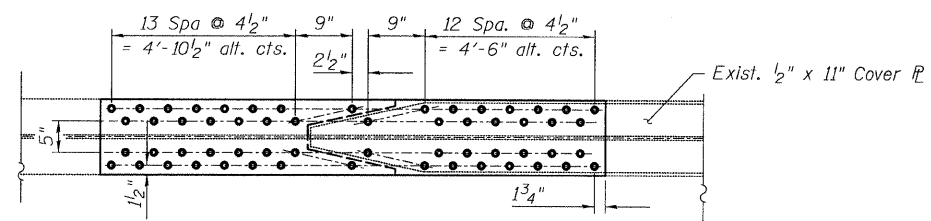


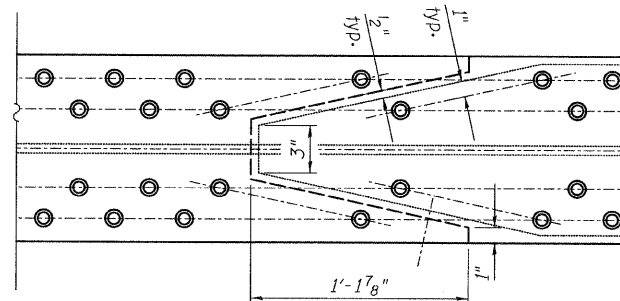
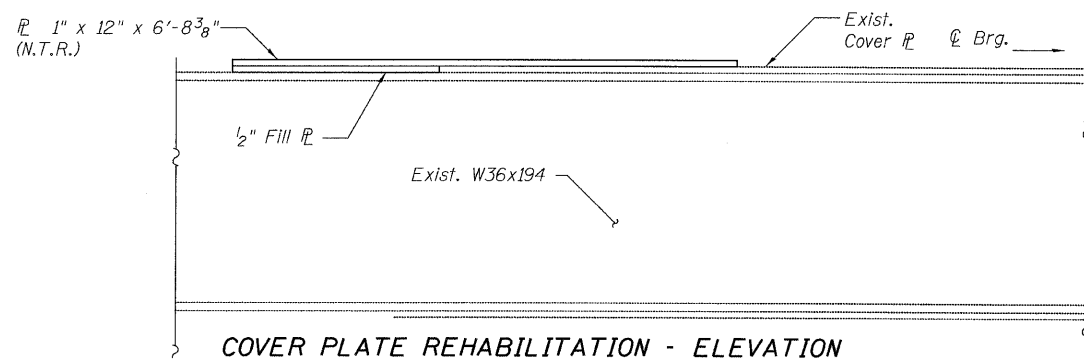
STATE OF ILLINOIS  
DEPARTMENT OF TRANSPORTATION



PLAN



PLAN



CLEARANCE DETAIL

NOTES:

Structural Steel shall conform to the requirements of AASHTO M270 Grade 50.

Load carrying components designated "NTR" shall conform to the Supplemental Requirements for Notch Toughness, Zone 2.

COVER PLATE RETROFIT  
STRUCTURE NO. 016-3241

TYLIN INTERNATIONAL

DESIGNED - SP	REVISIONS	
CHECKED - AMD,	NAME	DATE
DRAWN - SP		
CHECKED - AMD,		
DATE - 08/02/10		

SHEET NO. 26 26 SHEETS	F.A.I RTE.	SECTION	COUNTY	TOTAL SHEETS	SHEET NO.
	55	0711.2R & 1011.1BR	COOK	200	30
CONTRACT NO. 60L39					
FED. ROAD DIST. NO. 1 ILLINOIS FED. AID PROJECT					

es:\01345\beam\_and\_bearing\_fabrication\5561\leekraddn 8/2/2010 2:41:59 PM