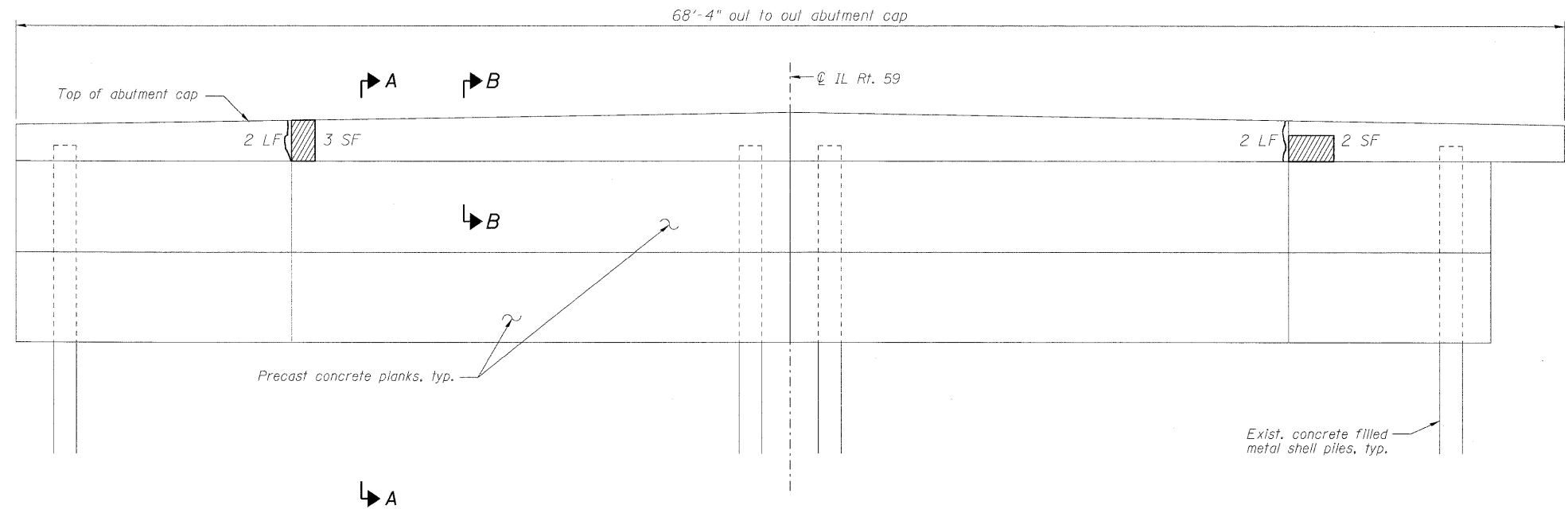
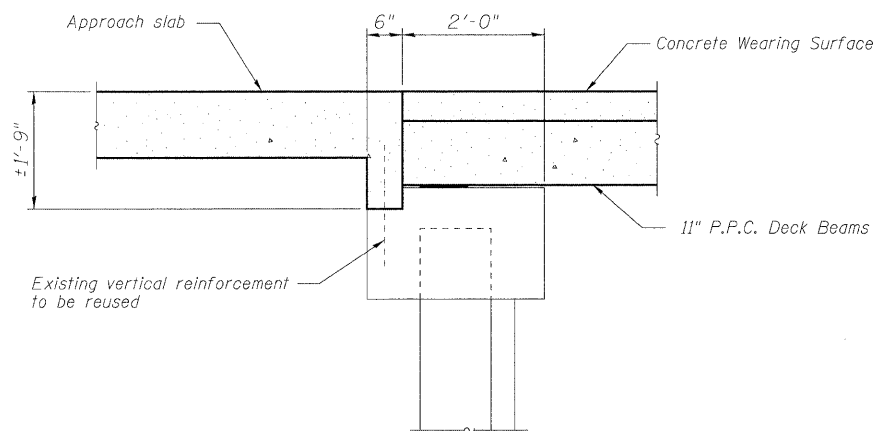


STATE OF ILLINOIS  
DEPARTMENT OF TRANSPORTATION

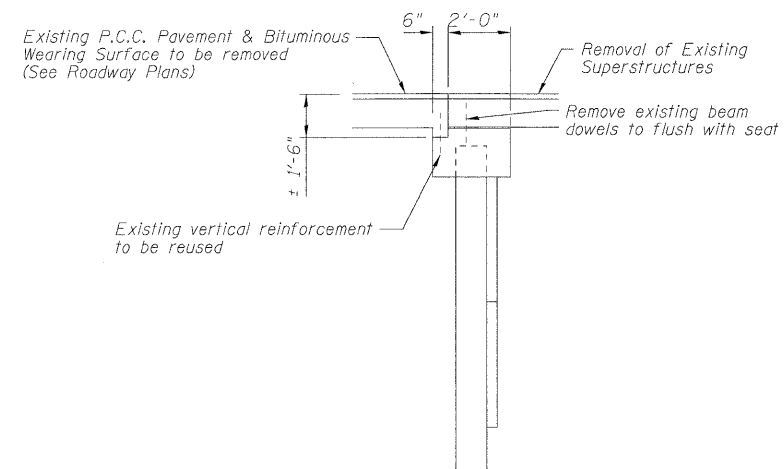


**ELEVATION - REMOVAL AND REPAIR**  
(Looking North)

— Epoxy Crack Injection  
 Formed Concrete Repair Depth < 5"



**SECTION B-B**



**BILL OF MATERIAL**

Epoxy Crack Injection	Foot	4
Structural Repair of Concrete (Depth less than equal to 5")	Sq. Ft.	5

**NOTES**

Drilling and epoxy grouting of reinforcement bars shall be in accordance with Article 584 of the Standard Specifications and shall be paid for as Reinforcement Bars, Epoxy Coated

DESIGNED	-	SLV
CHECKED	-	DJB
DRAWN	-	SLV
CHECKED	-	DJB

**LONGO, INC.**  
CONSULTING ENGINEERS  
1560 WALL ST, SUITE 222  
NAPERVILLE, ILLINOIS 60563 PH: (630) 577-9100

**SOUTH ABUTMENT DETAILS**  
**STRUCTURE NO. 049-0152**

SHEET NO. S16	F.A.P. RTE.	SECTION	COUNTY	TOTAL SHEETS	SHEET NO.
OF S17 SHEETS	338	108 B-1	LAKE	40	28
D-91-289-09			CONTRACT NO. 60F92		
FED. ROAD DIST. NO. ILLINOIS FED. AID PROJECT					