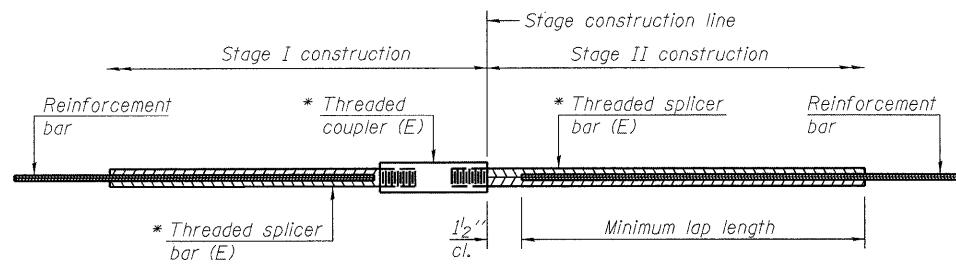


STATE OF ILLINOIS
DEPARTMENT OF TRANSPORTATION



STANDARD BAR SPLICER ASSEMBLY

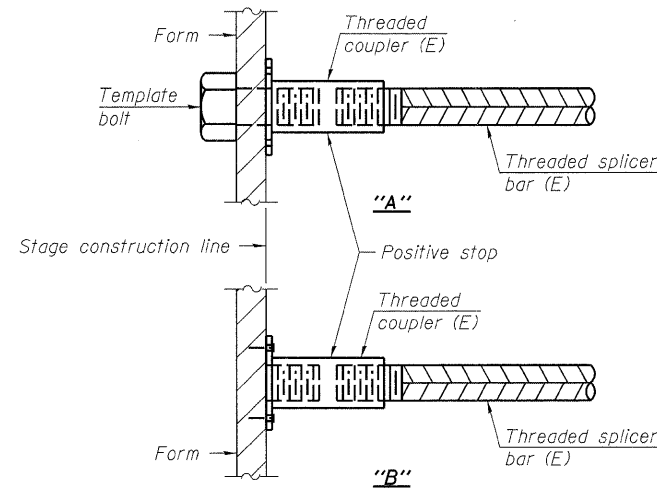
Minimum Lap Lengths				
Bar size to be spliced	Table 1	Table 2	Table 3	Table 4
3, 4	1'-5"	1'-11"	2'-1"	2'-4"
5	1'-9"	2'-5"	2'-7"	2'-11"
6	2'-1"	2'-11"	3'-1"	3'-6"
7	2'-9"	3'-10"	4'-2"	4'-8"
8	3'-8"	5'-1"	5'-5"	6'-2"
9	4'-7"	6'-5"	6'-10"	7'-9"

Table 1: Black bar, 0.8 Class C
Table 2: Black bar, Top bar lap, 0.8 Class C
Table 3: Epoxy bar, 0.8 Class C
Table 4: Epoxy bar, Top bar lap, 0.8 Class C

Threaded splicer bar length = min. lap length + 1 1/2" + thread length

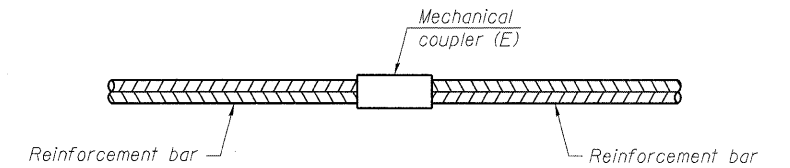
* Epoxy not required on Bar Splicer Assembly components used in conjunction with black bars.

Location	Bar size	No. assemblies required	Table for minimum lap length
Top of Deck	#5	255	3
Bottom of Deck	#5	179	3
Deck Edge Beam	#6	14	3
West Abutment	#4	11	3
West Abutment	#4	4	4
West Abutment	#5	20	3
West Abutment	#5	7	4
West Abutment	#6	3	3
East Abutment	#4	6	3
East Abutment	#4	4	4
East Abutment	#5	12	3
East Abutment	#5	2	4
East Abutment	#6	3	3
Pier	#4	11	3
Pier	#4	4	4
Pier	#6	4	4
Pier	#9	18	3
Pier	#10	4	3
West Approach Slab	#4	25	4
West Approach Slab	#5	46	3
West Approach Ftg.	#5	42	3
East Approach Slab	#4	25	4
East Approach Slab	#5	46	3
East Approach Ftg.	#5	42	3



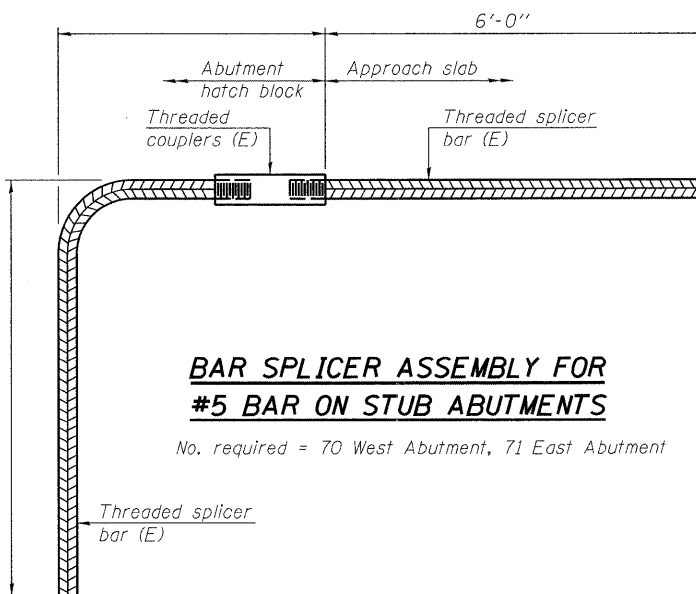
INSTALLATION AND SETTING METHODS

"A" : Set bar splicer assembly by means of a template bolt.
"B" : Set bar splicer assembly by nailing to wood forms or cementing to steel forms.
(E) : Indicates epoxy coating.



STANDARD MECHANICAL SPLICER

Location	Bar size	No. assemblies required



BAR SPLICER ASSEMBLY FOR #5 BAR ON STUB ABUTMENTS

No. required = 70 West Abutment, 71 East Abutment

NOTES

Splicer bars shall be deformed with threaded ends and have a minimum 60 ksi yield strength.
All reinforcement shall be lapped and tied to the splicer bars.
Bar splicer assemblies shall be epoxy coated according to the requirements for reinforcement bars. See Section 508 of the Standard Specifications.
See special provision for Mechanical Splicers.
See approved list of bar splicer assemblies and mechanical splicers for alternatives.

**BAR SPLICER ASSEMBLY AND MECHANICAL SPLICER DETAILS
STRUCTURE NUMBER 016-0610**

DESIGNED - ASP
CHECKED - WSP
DRAWN - BEM
CHECKED - ASP

BSD-1

11-1-09

DLZ 85 W. Algonquin Rd. Ste. 220
Arlington Heights IL 60005
DLZ Illinois, Inc. (847)-640-0840

SHEET NO. 40 OF 42 SHEETS	F.A. - RTE. 94	SECTION 0101.8B	COUNTY COOK	TOTAL SHEETS 139	SHEET NO. 116
	CONTRACT NO. 60C18			ILLINOIS FED. AID PROJECT	