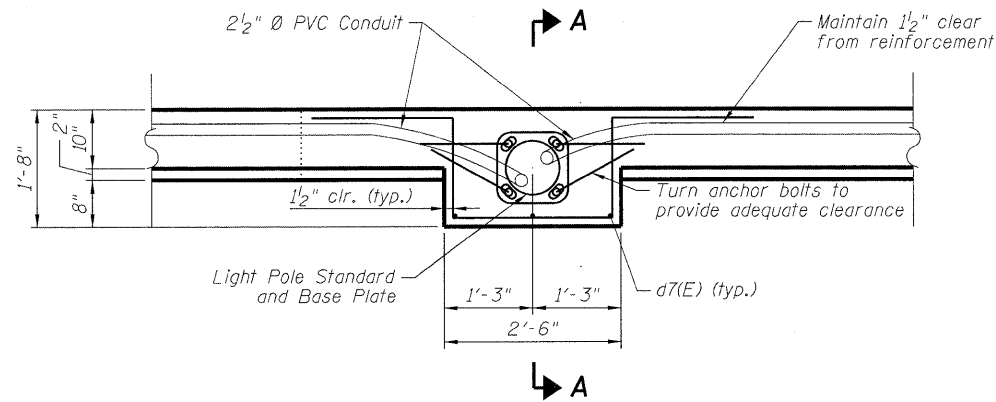
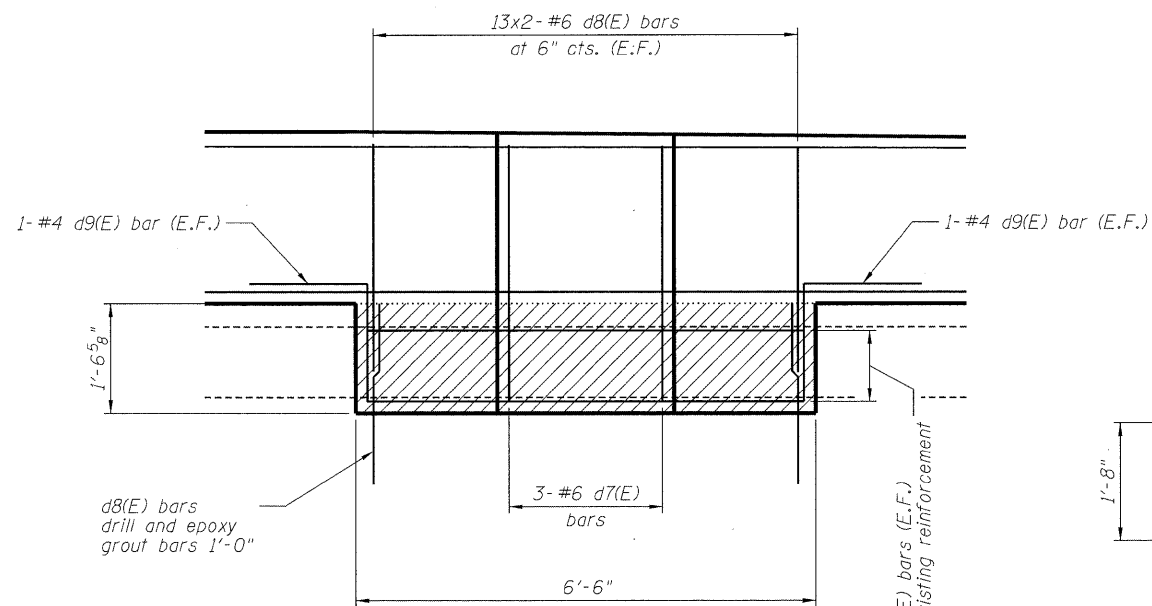


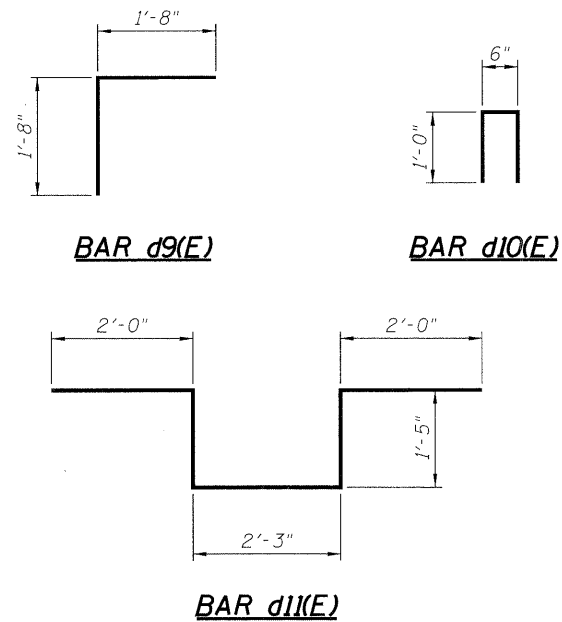
STATE OF ILLINOIS
DEPARTMENT OF TRANSPORTATION



LIGHT POLE BLISTER PLAN

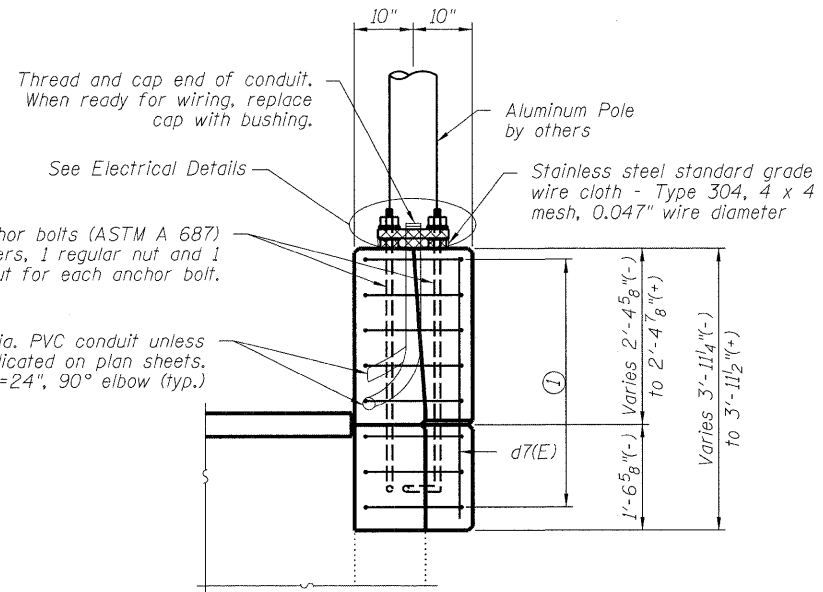


ELEVATION 'B'



BILL OF MATERIAL

Bar	No.	Size	Length	Shape
d7(E)	7	6	3'-7"	—
d8(E)	319	6	3'-2"	—
d9(E)	6	4	3'-4"	L
d10(E)	22	4	2'-6"	—
d11(E)	8	6	9'-1"	—
e7(E)	6	4	24'-11"	—
e8(E)	6	4	27'-4"	—
e9(E)	4	4	2'-6"	—
e10(E)	4	4	6'-2"	—
e11(E)	3	4	20'-4"	—
e12(E)	3	4	20'-10"	—
Concrete Removal		Cu. Yd.	0.6	
Concrete Structures		Cu. Yd.	6.7	
Bridge Fence Railing		Foot	47	
Reinforcement Bars, Epoxy Coated		Pound	2,029	
Protective Coat		Sq. Yd.	26	

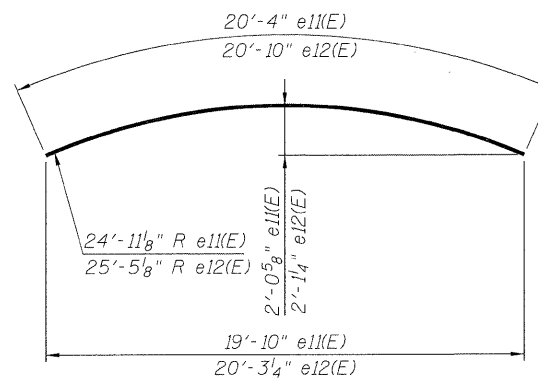


① 8-#6 d11(E) bars

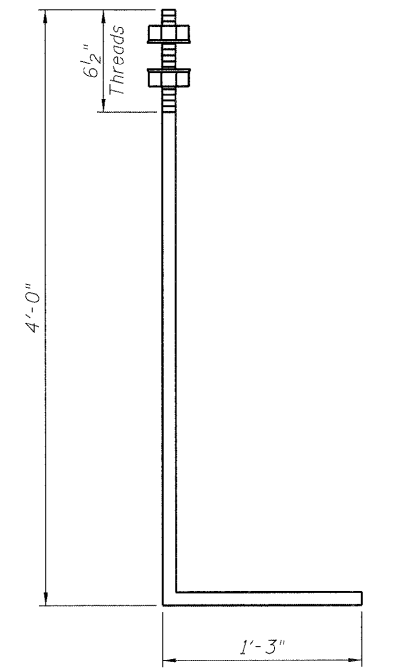
SECTION A-A

Notes:

1. Level light pole plates, using the flange nuts, prior to pouring the parapet wall. The top of the plate shall be at the same elevation as the finished concrete parapet.
2. The cost of anchor bolts, conduit, base plate and foundation is included in the cost of Concrete Structures.

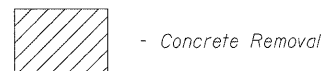


BARS e11(E) AND e12(E)



1/4" DIA. ANCHOR BOLT

DESIGNED - ASP
CHECKED - DPW
DRAWN - JMH
CHECKED - ASP



DLZ 85 W. Algonquin Rd. Ste. 220
Arlington Heights IL 60005
DLZ Illinois, Inc. (847)-640-0840

SHEET NO. 34 OF 42 SHEETS	F.A. RTE.	SECTION	COUNTY	TOTAL SHEETS	SHEET NO.
	94	0101.8B	COOK	139	110
			CONTRACT NO. 60C18		
ILLINOIS FED. AID PROJECT					

**NORTHWEST PARAPET WALL II
STRUCTURE NUMBER 016-0610**