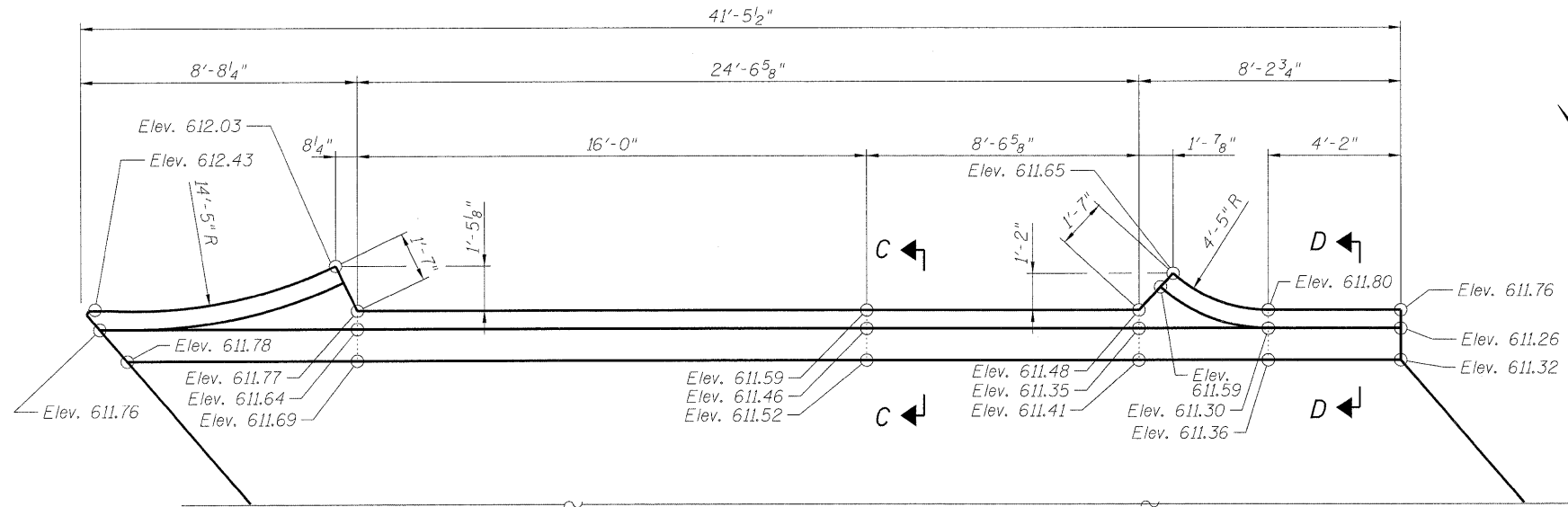
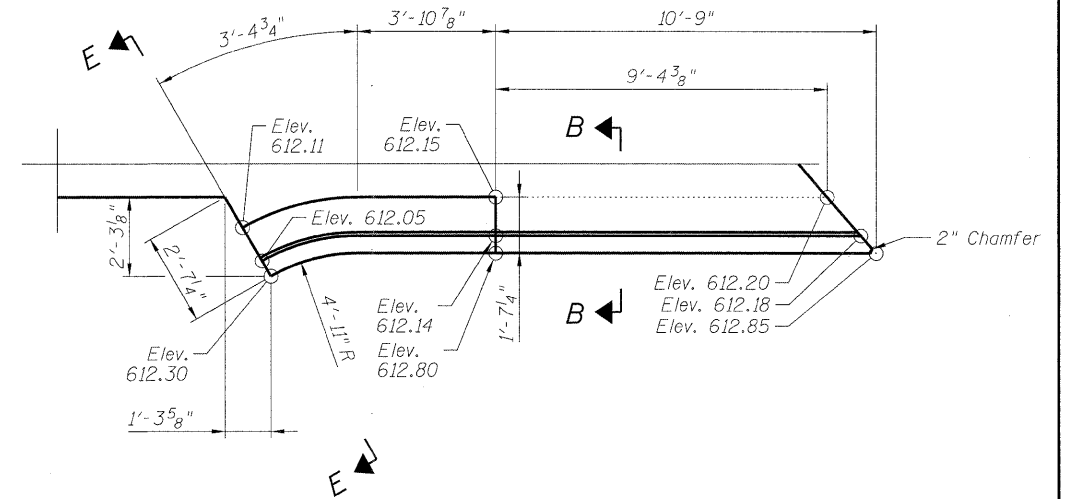


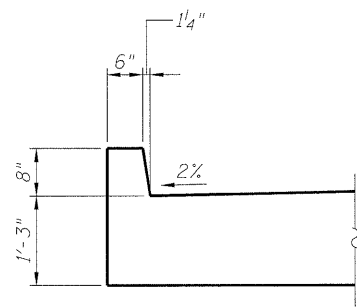
STATE OF ILLINOIS
DEPARTMENT OF TRANSPORTATION



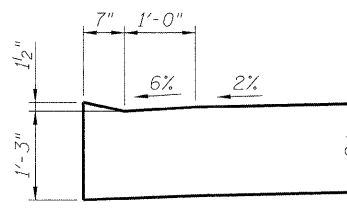
NORTHEAST PLAN



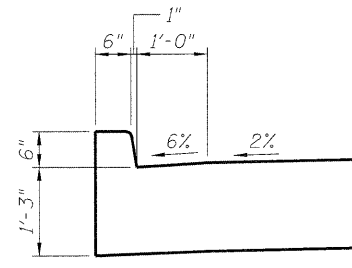
SOUTHWEST PLAN



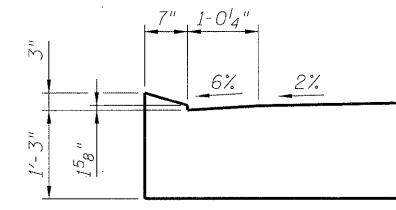
SECTION B-B



SECTION C-C



SECTION D-D



SECTION E-E

DESIGNED - DPW
CHECKED - ASP
DRAWN - LNB
CHECKED - ASP

DLZ 85 W. Algonquin Rd. Ste. 220
Arlington Heights IL 60005
DLZ Illinois, Inc. (847)-640-0840

APPROACH DETAILS I
STRUCTURE NUMBER 016-0610

SHEET NO. 20 OF 42 SHEETS	F.A. RTE. 94	SECTION 0101.8B	COUNTY COOK	TOTAL SHEETS 139	SHEET NO. 96
	CONTRACT NO. 60C18				
ILLINOIS FED. AID PROJECT					