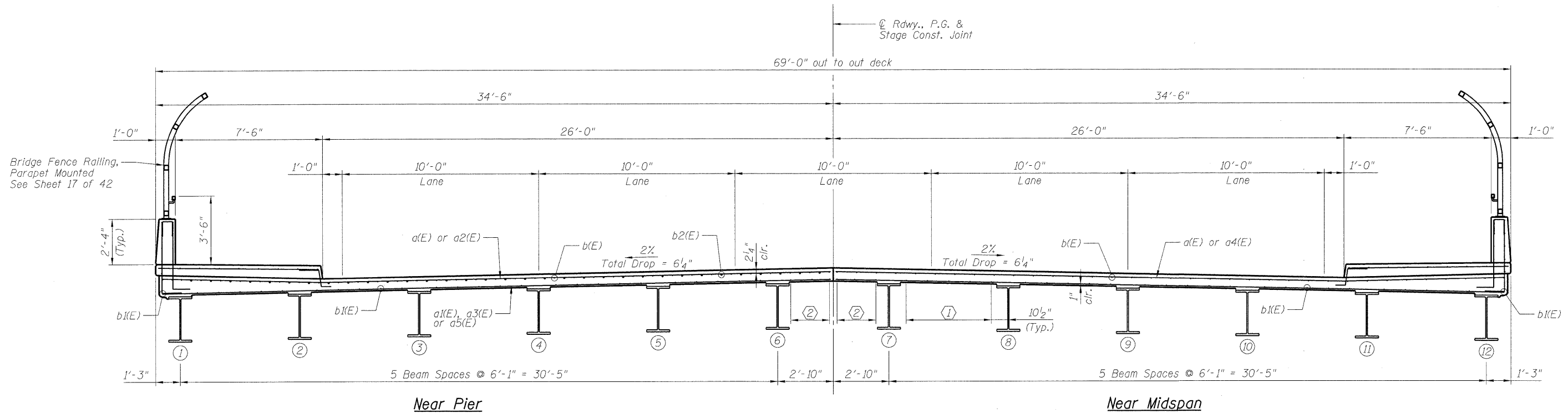
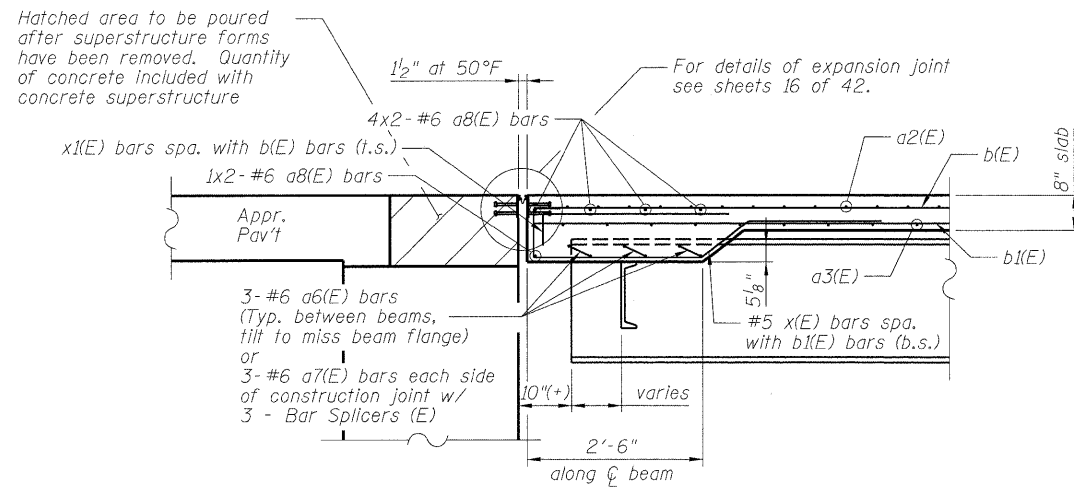


STATE OF ILLINOIS
DEPARTMENT OF TRANSPORTATION

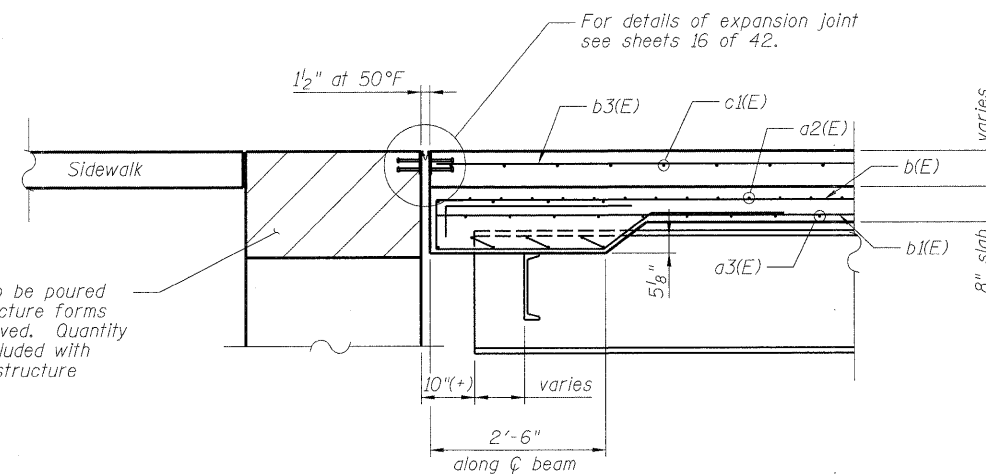


CROSS SECTION
(Looking Ahead Station)

- ① 5- #5 b1(E) bars at 1'-1" cts. (Typ. between beams)
5- #6 x(E) bars at 1'-1" cts. (Typ. between beams)
- ② 3- #5 b1(E) bars
3- #6 x(E) bars



SECTION A-A



SECTION B-B

DESIGNED - ASP
CHECKED - WSP
DRAWN - BEM
CHECKED - ASP

SUPERSTRUCTURE CROSS-SECTION
STRUCTURE NUMBER 016-0610

DLZ 85 W. Algonquin Rd. Ste. 220
Arlington Heights IL 60005
(847)-640-0840

SHEET NO. 13 OF 42 SHEETS	F.A. RTE. 94	SECTION 0101.8B	COUNTY COOK	TOTAL SHEETS 139	SHEET NO. 89
	CONTRACT NO. 60C18				
ILLINOIS FED. AID PROJECT					