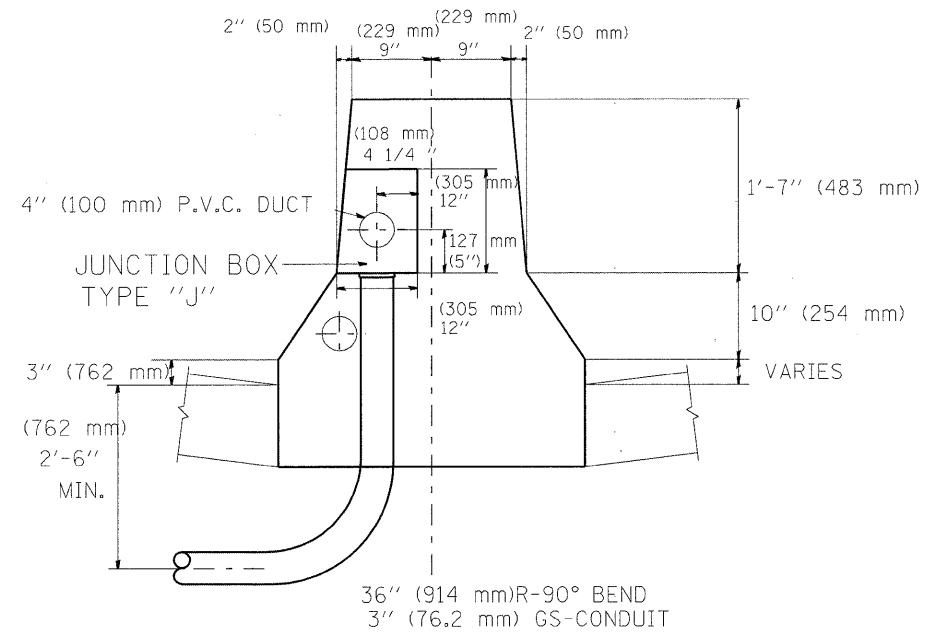
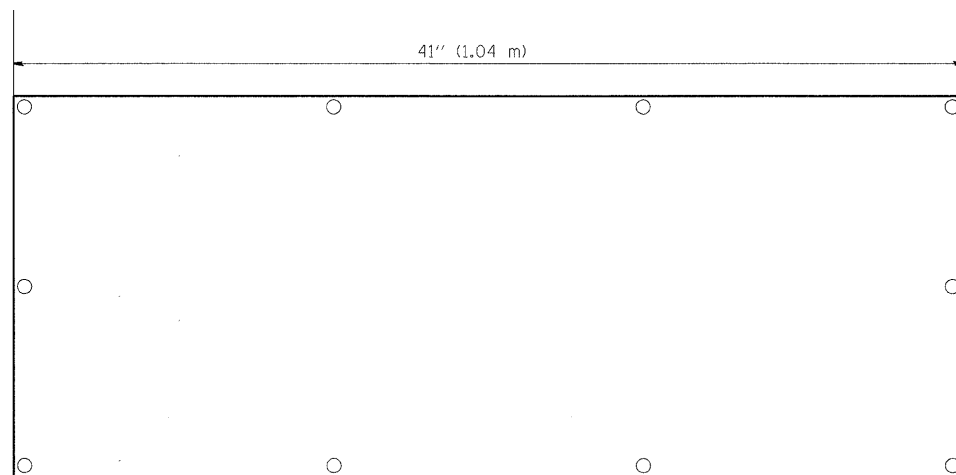


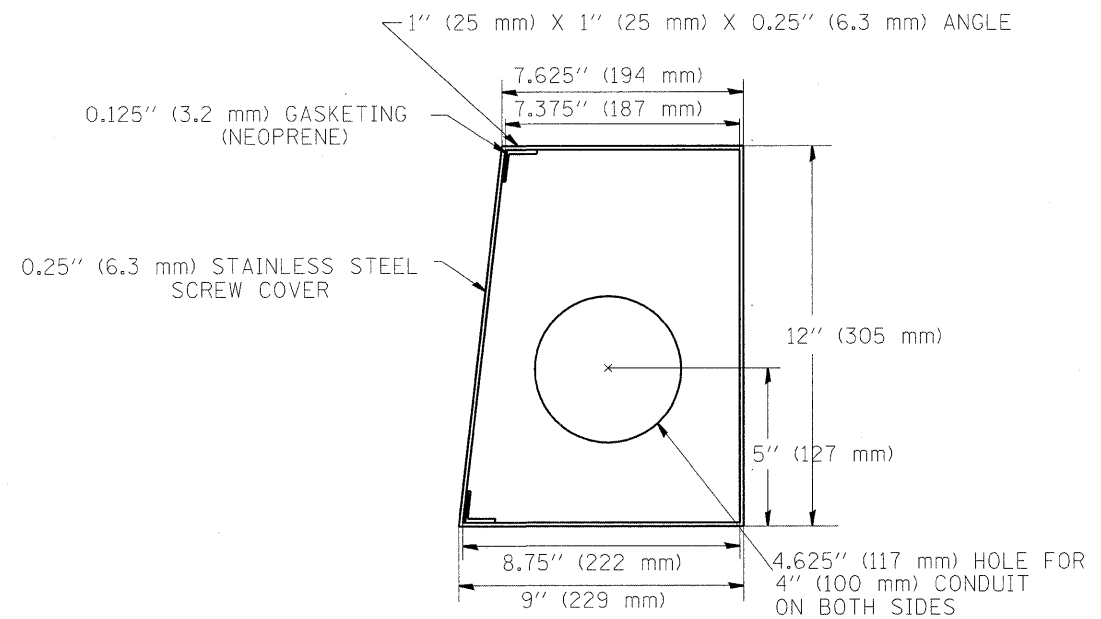
ELEVATION  
BARRIER WALL DUCT DETAIL



DOUBLE FACED BARRIER WALL



FRONT VIEW



SIDE VIEW  
JUNCTION BOX TYPE \"J\"

ALL WELDS SHALL BE CONTINUOUS AND LEAK PROOF  
BOX AND COVER SHALL BE 0.25\" (6.4 mm) TYPE 316 STAINLESS STEEL

BARRIER WALL SHALL BE GAPPED A MINIMUM OF 15' (4.57 m) FOR PROPER PLACEMENT OF JUNCTION BOX TYPE \"J\"  
AND FOR A SMOOTH TRANSITION OF 4\" (100 mm) PVC SURVEILLANCE DUCT(S) FROM BARRIER WALL FOOTER INTO JUNCTION BOX.

FILE NAME = G:\Projects\TSC\TYPICALS\TSC\TYP08.dgn	USER NAME = mezag	DESIGNED - J.G.	REVISED -	<b>STATE OF ILLINOIS</b> <b>DEPARTMENT OF TRANSPORTATION</b> TRAFFIC SYSTEMS CENTER	<b>JUNCTION BOX \"TYPE J\"</b> <b>IN DOUBLE FACED</b> <b>BARRIER WALL</b>		F.A.I. RTE. 94	SECTION 0101.8B	COUNTY COOK	TOTAL SHEETS 139	SHEET NO. 76B	
PLOT SCALE = 100.0000 ' / IN.	CHECKED - J.G.	REVISED -	REVISED -		SCALE: NONE	SHEET NO. OF SHEETS STA.	TO STA.	CONTRACT NO. 60C18				
PLOT DATE = 6/29/2010	DATE - 04-19-05	REVISED -	REVISED -		FED. ROAD DIST. NO. ILLINOIS FED. AID PROJECT							
<b>TRAFFIC SYSTEMS CENTER (TY-1TSC-400#30)</b>												