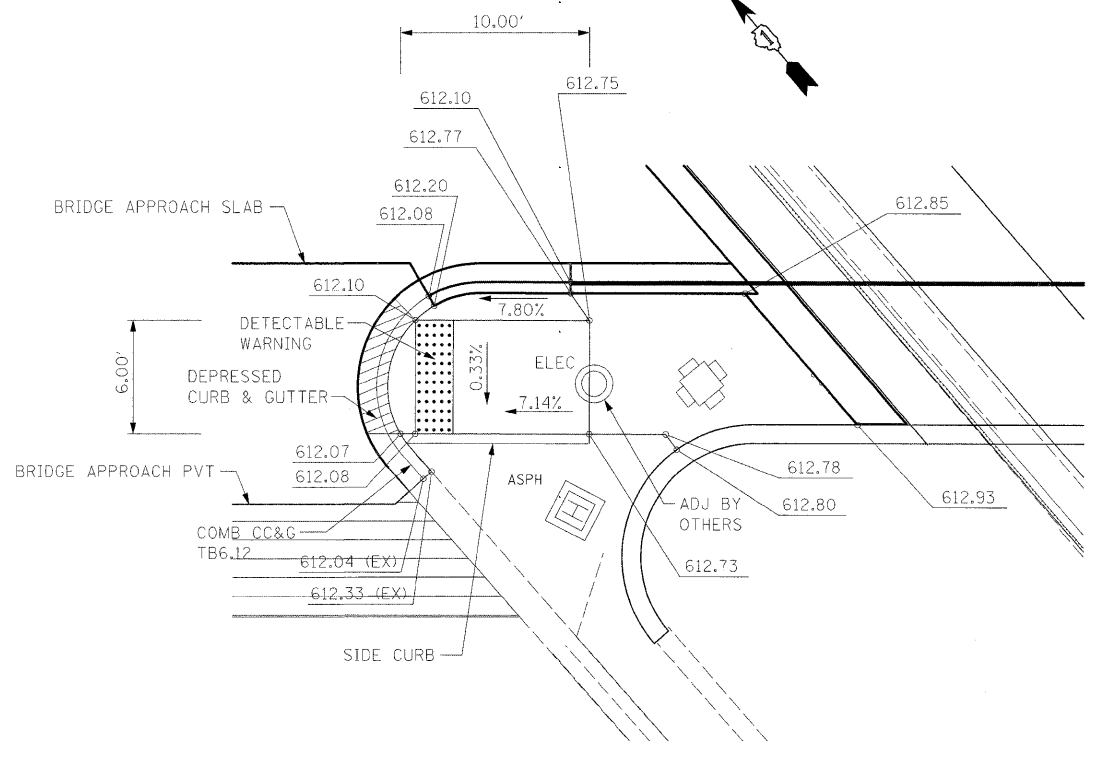
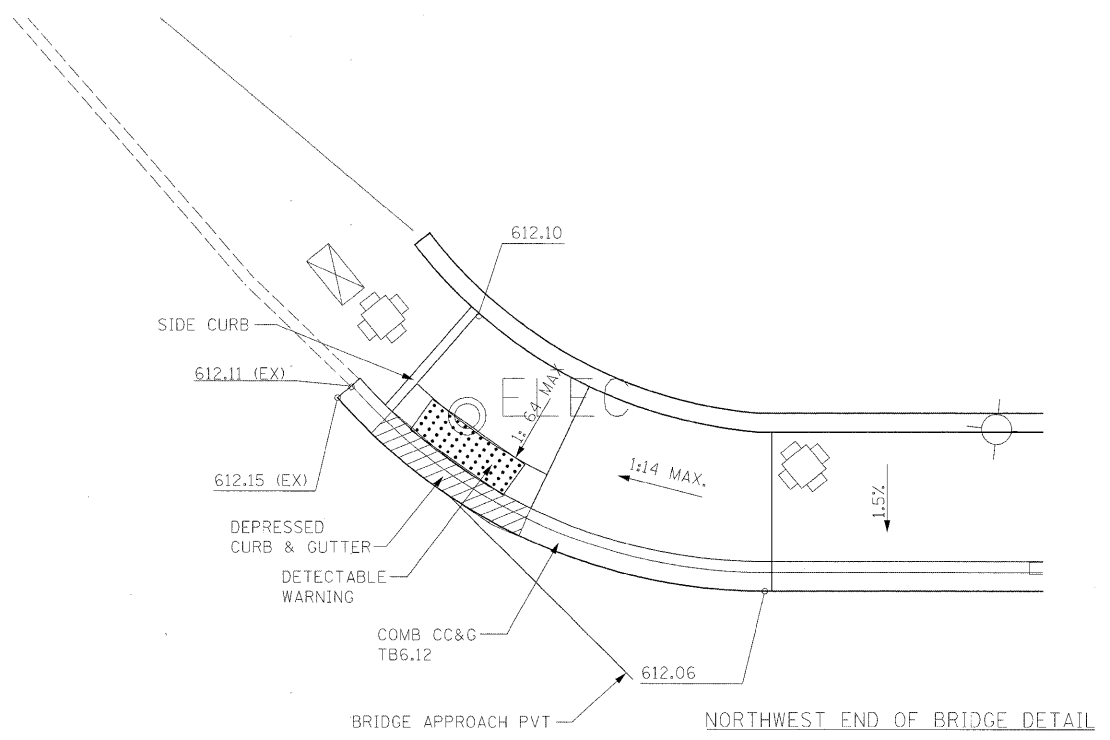


NORTHEAST END OF BRIDGE DETAIL



SOUTHWEST END OF BRIDGE DETAIL



NORTHWEST END OF BRIDGE DETAIL

FILE NAME = #FILE#	USER NAME = #USER#	DESIGNED -	REVISED -	<b>STATE OF ILLINOIS DEPARTMENT OF TRANSPORTATION</b>	<b>DETAILS</b>				F.A.I. RTE. 94	SECTION 0101.8B	COUNTY COOK	TOTAL SHEETS 139	SHEET NO. 36
	PLOT SCALE = #SCALE#	DRAWN -	REVISED -		SCALE: 1:5	SHEET NO.	OF	SHEETS	STA.	TO STA.	ILLINOIS FED. AID PROJECT		
	PLOT DATE = #DATE#	CHECKED -	REVISED -		CONTRACT NO. 60C18								
		DATE -	REVISED -										