

STAGE 2 CONSTRUCTION

1. REMOVE SUPERSTRUCTURE CARRYING THE WB LANES OF ELSTON AVE.
2. CONSTRUCT NEW WEST ABUTMENT UNDERNEATH WB LANES OF ELSTON AVE.
3. REPAIR EAST ABUTMENT UNDER WB LANES OF ELSTON AVE.

STAGE 2 NOTES

1. ON STREET PARKING ALONG THE EB LANE OF ELSTON AVE BETWEEN CARMEN AND IL RTE 50 (CICERO) WILL NEED TO BE RESTRICTED DUE TO THE SHIFTING OF TRAFFIC.
2. EXISTING BICYCLE LANE LOCATED ALONG THE EB LANE OF ELSTON AVE, WILL BE CLOSED DUE TO THE SHIFTED TRAFFIC FROM CARMEN AVE TO IL RTE 50 (CICERO).
3. ALL PEDESTRIAN TRAFFIC WILL HAVE TO USE THE SIDEWALK ALONG THE EB LANES OF ELSTON OVER THE BRIDGE DURING THIS STAGE SINCE THE SIDEWALK ALONG THE WB LANES WILL BE CLOSED.

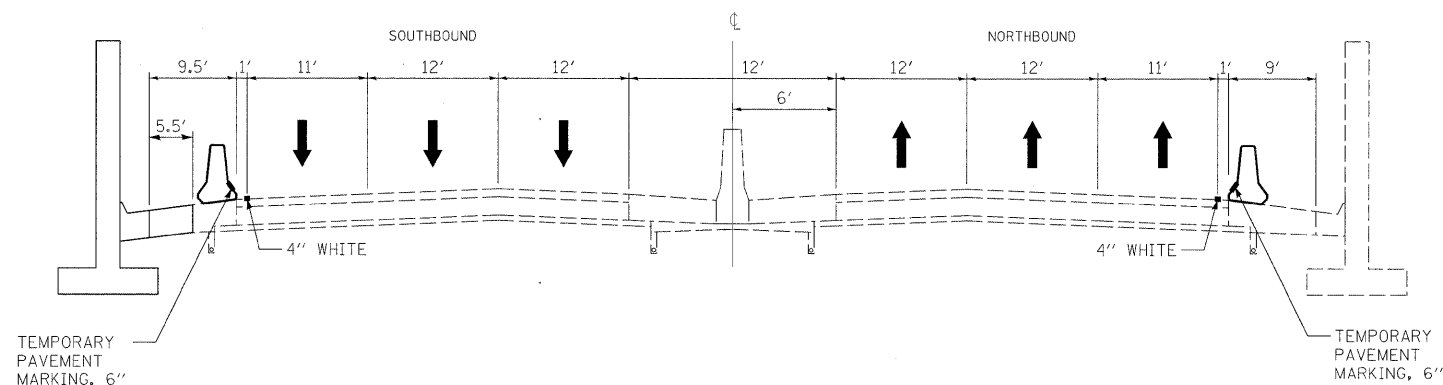
STAGE 2 TRAFFIC

- I-94 (EDENS EXPWY)
THE OUTSIDE SHOULDERS OF EB AND WB I-94 (EDENS EXPWY.) WILL BE CLOSED PER DISTRICT DETAIL TC-17.
 - ELSTON RAMP TO EB I-94 (EDENS EXPWY.)
RAMP WILL BE OPENED TO EB TRAFFIC. WB TRAFFIC WILL BE PROHIBITED FROM USING THIS RAMP.
 - WB ELSTON AVE
ONE 10' LANE WILL BE MAINTAINED FROM CARMEN AVE. TO KIMBERLY AVE BY SHIFTING WB TRAFFIC TO THE PROPOSED EB PASSING LANE. LEFT TURNS ONTO IL RTE 50 (CICERO AVE.) WILL BE PROHIBITED DURING THIS STAGE.
 - EB ELSTON AVE.
ONE 10' LANE WILL BE MAINTAINED FROM CARMEN AVE. TO KIMBERLY AVE BY SHIFTING EB TRAFFIC TO THE PROPOSED EB DRIVING LANE. LEFT TURNS ONTO IL RTE 50 (CICERO AVE) WILL BE PROHIBITED DURING THIS STAGE.
 - NB IL RTE 50 (CICERO AVE.)
DAILY LANE CLOSURES AND SHOULDER CLOSURES ARE ANTICIPATED FOR CORNER ISLAND OPERATIONS AND SHOULDER OPERATIONS PER HIGHWAY STANDARD 701701.
- PROPOSED DETOURS
- RAMP TO EB I-94 (EDENS EXPWY.) DETOUR FOR WB ELSTON
 - 1. WB ELSTON TRAFFIC TO RAMP WILL BE DETOURED VIA WB LAWRENCE AVE TO SB IL RTE 50 (CICERO AVE) TO EB WILSON AVE AT WHICH POINT TRAFFIC MAY ENTER EB I-94 (EDENS EXPWY)
 - WB ELSTON AVE TO SB IL RTE 50 (CICERO)
 - 1. WB ELSTON TRAFFIC TO SB IL RTE 50 (CICERO AVE) WILL BE DETOURED VIA WB ELSTON TO EB FOSTER AT WHICH POINT TRAFFIC MAY GO SB ON IL RTE 50 (CICERO AVE)

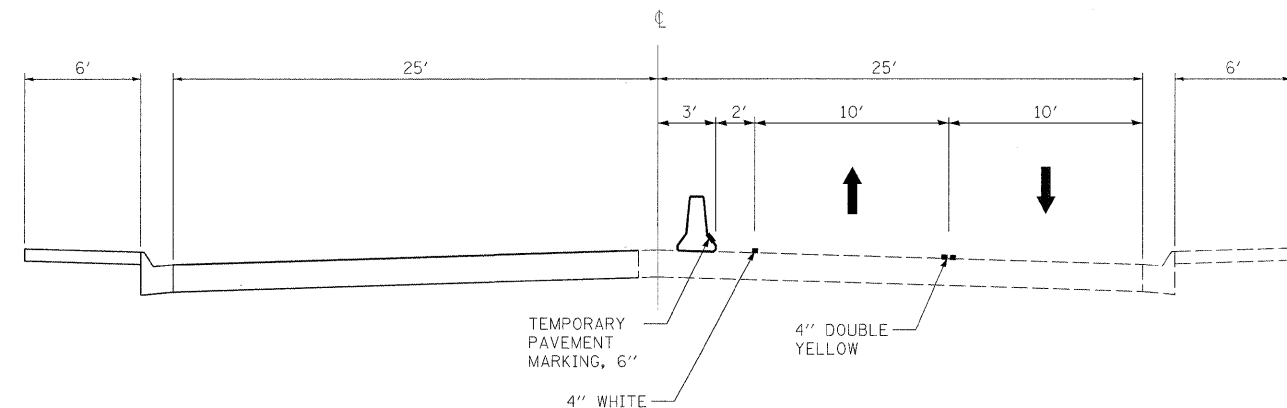
STAGE 2 CONSTRUCTION

STAGE 2 CONSTRUCTION

STAGE 2 CONSTRUCTION



STAGE 2 - TYPICAL SECTION - I-94



STAGE 2 - TYPICAL SECTION - ELSTON

FILE NAME = #FILEL#	USER NAME = #USER#	DESIGNED -	REVISED -	STATE OF ILLINOIS DEPARTMENT OF TRANSPORTATION	MAINTENANCE OF TRAFFIC STAGE 2 - I-94		F.A.I. RTE.	SECTION	COUNTY	TOTAL SHEETS	SHEET NO.		
	PLOT SCALE = #SCALE#	DRAWN -	REVISED -		SCALE: NTS	SHEET NO. 1 OF 5 SHEETS	STA.	TO STA.	94	0101.8B	COOK	139	24
	PLOT DATE = #DATE#	CHECKED -	REVISED -		CONTRACT NO. 60C18								
		DATE -	REVISED -		ILLINOIS FED. AID PROJECT								