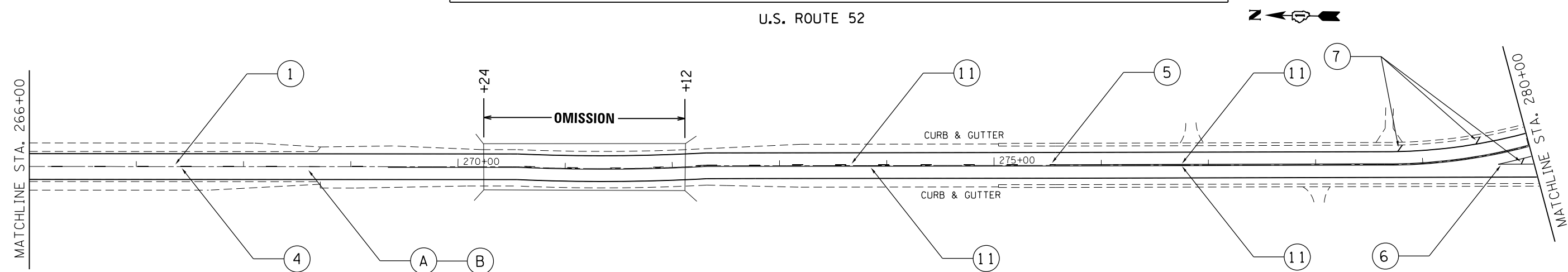
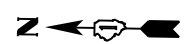


RESURFACING LEGEND	PAVEMENT MARKING LEGEND
(A) PROP. HOT IN-PLACE RECYCLING, 1"	(1) THERMOPLASTIC PAVEMENT MARKING, 4" YELLOW LANE LINE (30' SKIP, 10' DASH)
(B) PROP. HOT-MIX ASPHALT SURFACE COURSE, MIX "D", N70	(2) THERMOPLASTIC PAVEMENT MARKING, 4" WHITE LANE LINE (6' SKIP, 2' DASH)
(C) SURFACE REMOVAL BUTT JOINT SEE BUTT JOINTS AND HMA TAPER DETAILS (BD32)	(3) THERMOPLASTIC PAVEMENT MARKING, 4" SOLID WHITE LINE
	(4) THERMOPLASTIC PAVEMENT MARKING, 4" SOLID NO PASSING ZONE LINE
	(5) THERMOPLASTIC PAVEMENT MARKING, 4" DOUBLE YELLOW LINE, 11" C-C
	(6) THERMOPLASTIC PAVEMENT MARKING, 8" WHITE LINE
	(7) THERMOPLASTIC PAVEMENT MARKING, 12" DIAGONAL WHITE LINE
	(8) THERMOPLASTIC PAVEMENT MARKING, 12" LONGITUDINAL WHITE BARS
	(9) THERMOPLASTIC PAVEMENT MARKING, 24" WHITE LINE
	(10) THERMOPLASTIC PAVEMENT MARKING, LETTERS AND SYMBOLS
	(11) RAISED REFLECTIVE PAVEMENT MARKER (SEE NOTE 2)

NOTES

1. REFER TO DISTRICT 1 TYPICAL PAVEMENT MARKINGS (TC-13) FOR ADDITIONAL INFORMATION.

2. REFER TO DISTRICT 1 RAISED REFLECTIVE PAVEMENT MARKER (TC-11) FOR ADDITIONAL INFORMATION.



FILE NAME =	USER NAME = Bakerom	DESIGNED -	REVISED -	STATE OF ILLINOIS DEPARTMENT OF TRANSPORTATION	US 52 (2ND STREET TO US 45) ROADWAY & PAVEMENT MARKING PLAN			F.A.P. RTE.	SECTION	COUNTY	TOTAL SHEETS	SHEET NO.
Default	Plot Scale = 100.0000' / in.	DRAWN -	REVISED -		852	(17&18) RS-6	WILL	33	16			
	PLOT DATE = 6/2/2014	CHECKED -	REVISED -		CONTRACT NO. 60W12							
		DATE -	REVISED -		ILLINOIS FED. AID PROJECT							