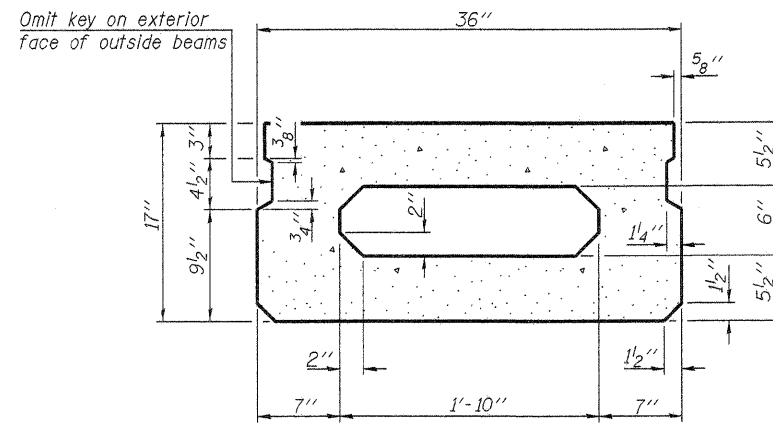
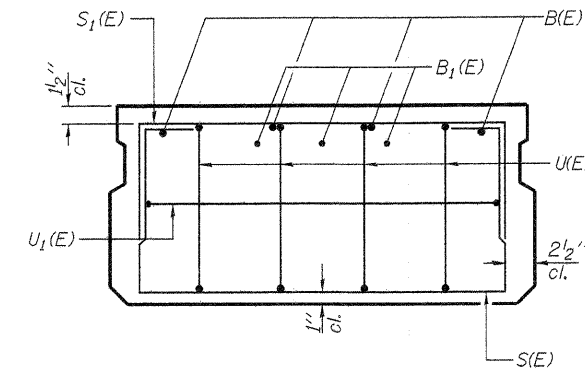


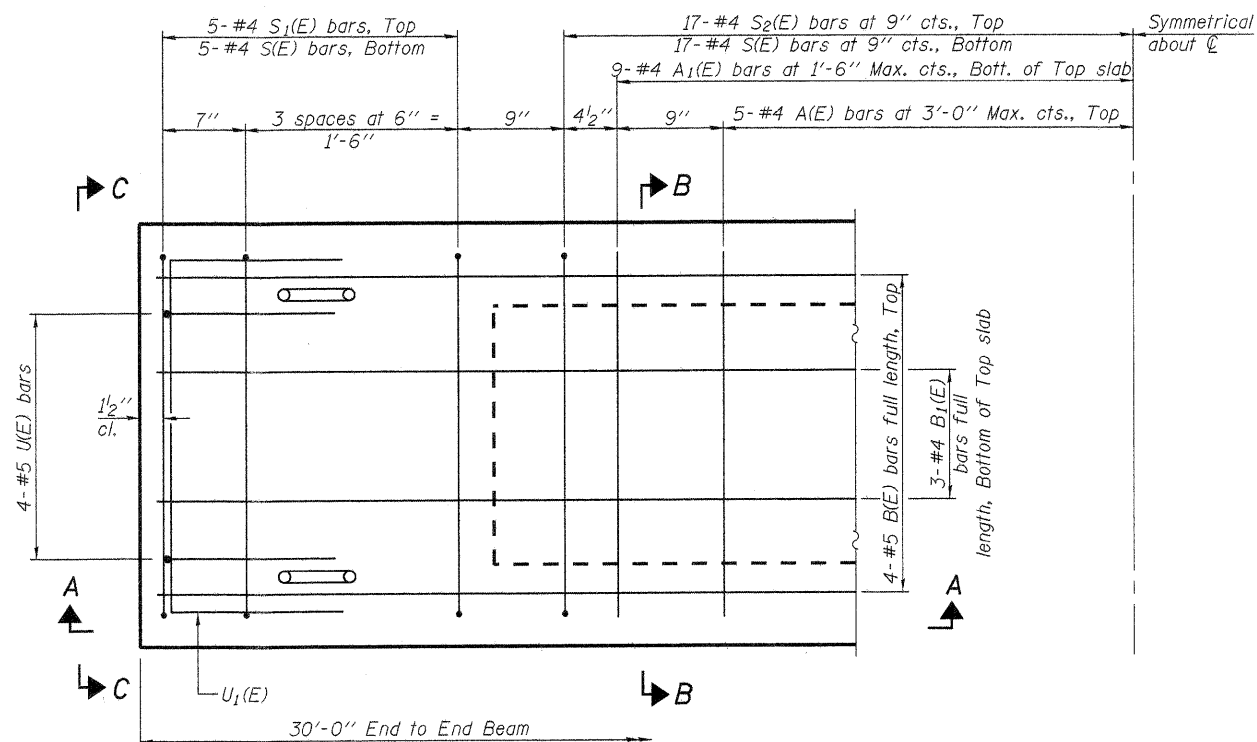
SECTION A-A



SECTION B-B
(Showing dimensions)

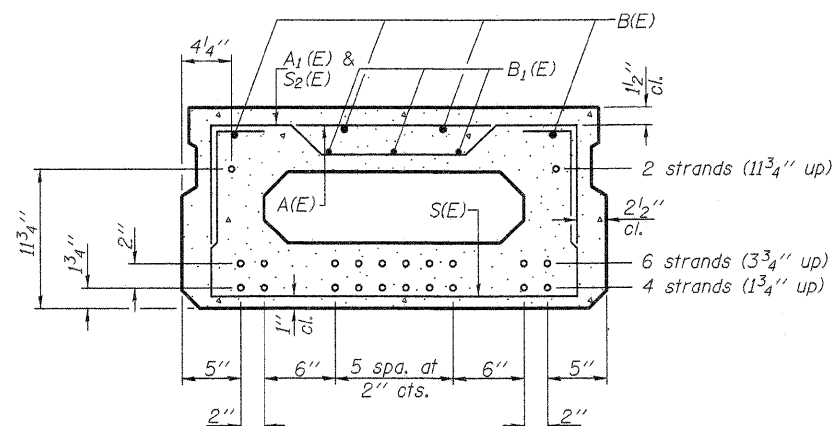


VIEW C-C



PLAN VIEW

Note: Spacing of S(E) and S2(E) bars may be adjusted up to 4" in the immediate area of the transverse tie diaphragms to miss the block outs for the transverse ties.



Use 12 - 1/2" diameter strands at the locations shown.

SECTION B-B

(Showing reinforcement and permissible strand locations)

Note: Place the number of strands specified in each row symmetrically about the centerline of beam in the permissible strand locations shown.

MINIMUM BAR LAP

#4 bar = 2'-0"
#5 bar = 2'-6"

BAR LIST
ONE BEAM ONLY
(For information only)

Bar	No.	Size	Length	Shape
A(E)	9	#4	2'-7"	—
A1(E)	17	#4	2'-10"	—
B(E)	4	#5	29'-9"	—
B1(E)	3	#4	29'-9"	—
S(E)	43	#4	5'-9"	□
S1(E)	10	#4	4'-3"	□
S2(E)	33	#4	4'-6"	□
U(E)	8	#5	3'-8"	□
U1(E)	2	#4	5'-0"	□

Note: See sheet 8 for additional details and Bill of Material. Reinforcement bars designated (E) shall be epoxy coated.

PD-1736-0

7-1-10

FILE NAME = 18-273.SUPER.DGN

USER NAME = S.A.P.

DESIGNED - A.L.S.

REVISED -

CHECKED - A.R.K.

REVISED -

PLOT SCALE = XXX

DRAWN - S.A.P.

REVISED -

PLOT DATE = 04/19/11

CHECKED - A.L.S. & A.R.K.

REVISED -



FEHR-GRAHAM & ASSOCIATES, LLC
ENGINEERING AND SCIENCE CONSULTANTS
FREEPORT, IL ROCKFORD, IL ROCHELLE, IL MONROE, WI SPRINGFIELD, IL

17" x 36" PPC DECK BEAM
S.N. 084-3443

C.H.	SECTION	COUNTY	TOTAL SHEETS	SHEET NO.
4B	08-00095-00-BR	SANGAMON	18	7
			CONTRACT NO. 9	3553

ILLINOIS FED. AID PROJECT

*10-273