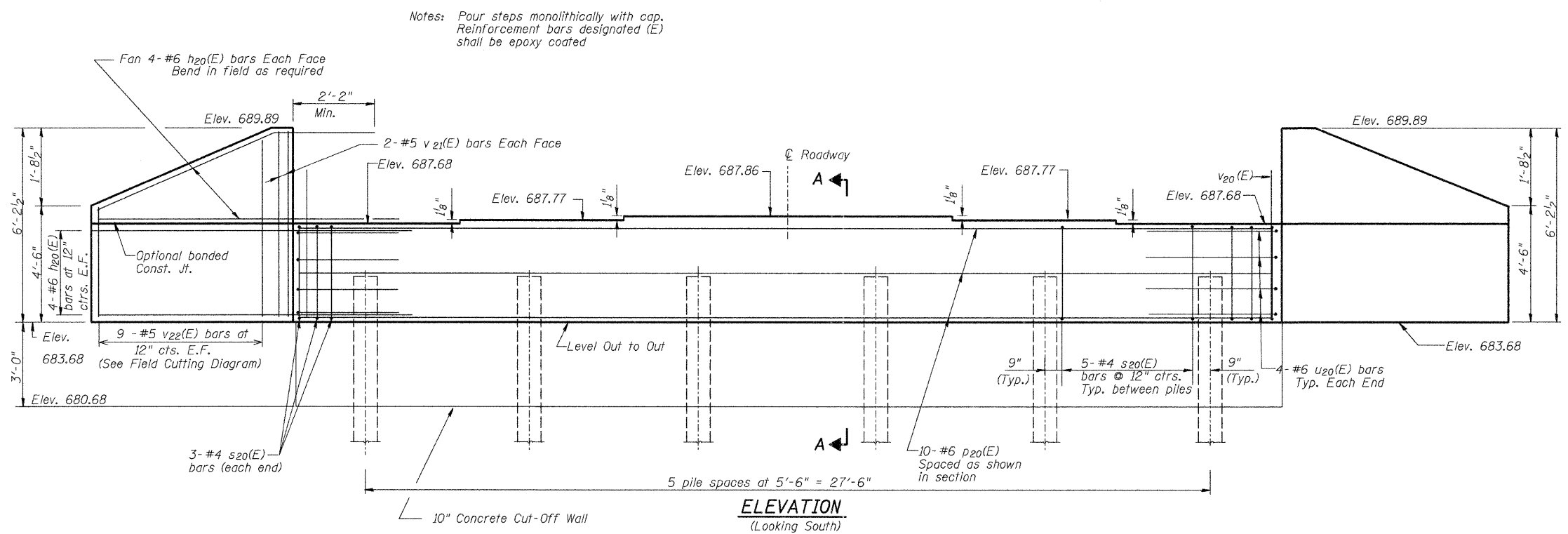
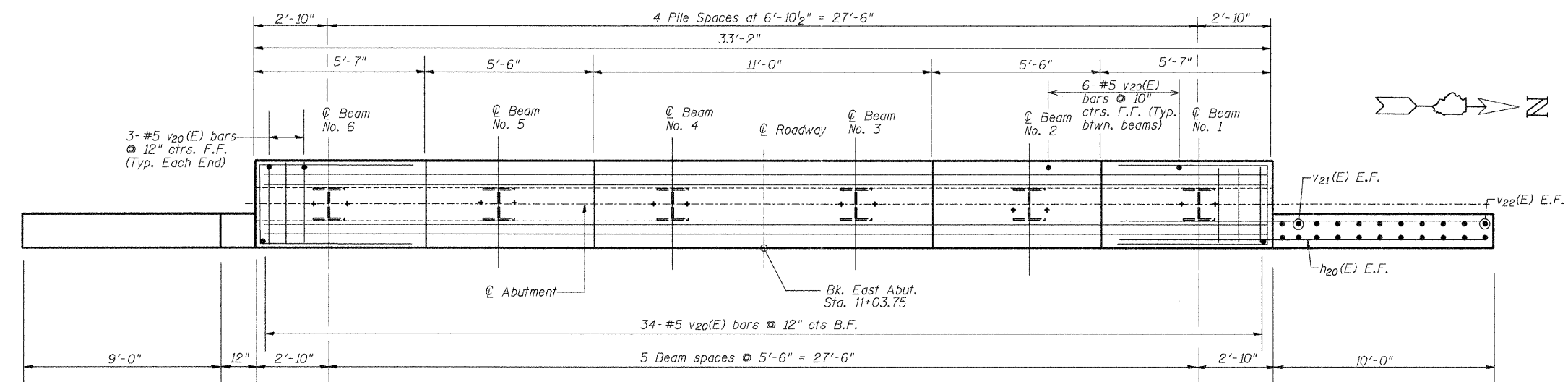


ROUTE NO.	SECTION	COUNTY	TOTAL SHEETS	SHEET NO.
C.H. II	10-00962-00-BR	CHAMPAIGN	40	22
STA.	TO STA.			
F.H.W.A. REG.	ILLINOIS	PROJECT		

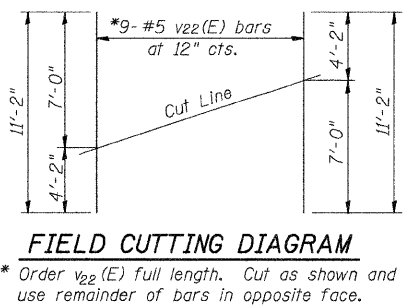
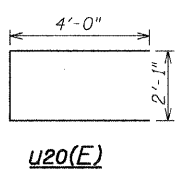
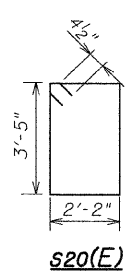
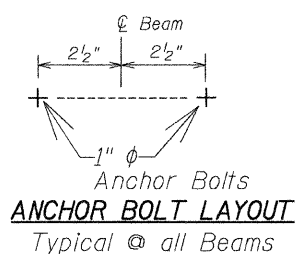
Sheet 14 of 23



ELEVATION
(Looking South)

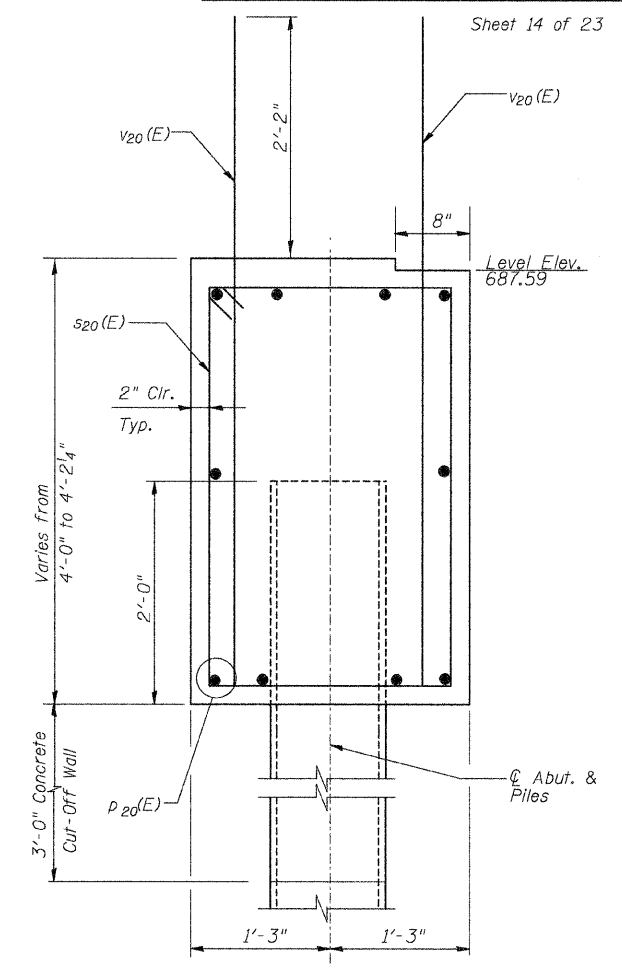


PLAN



PILE DATA

Type : Steel HPI0X42
Nominal Req'd Bearing : 222 kips
Allowable Resistance Available : 74 kips
Est. Length : 52'
No. Required : 5
Test Pile : 1



SECTION A-A

BILL OF MATERIAL

Bar No.	Size	Length	Shape
h20(E)	32	#6	12'-6"
p20(E)	10	#6	32'-10"
s20(E)	31	#4	11'-11"
u20(E)	8	#6	10'-1"
v20(E)	70	#5	6'-0"
v21(E)	8	#5	7'-0"
v22(E)	18	#5	11'-2"
Structure Excavation		Cu. Yd.	79
Concrete Structures		Cu. Yd.	16.6
Reinforcement Bars Epoxy Coated		Pound	2170
Furnishing Steel Piles HPI0X42		Foot	260
Driving Piles		Foot	260
Concrete Cut-Off Wall		Cu. Yd.	3.1
Pile Shoes		Each	6
Test Pile HPI0X42		Each	1

EAST ABUTMENT
SECTION: 10-00962-00-BR
CHAMPAIGN COUNTY
Q. STATION 10+00