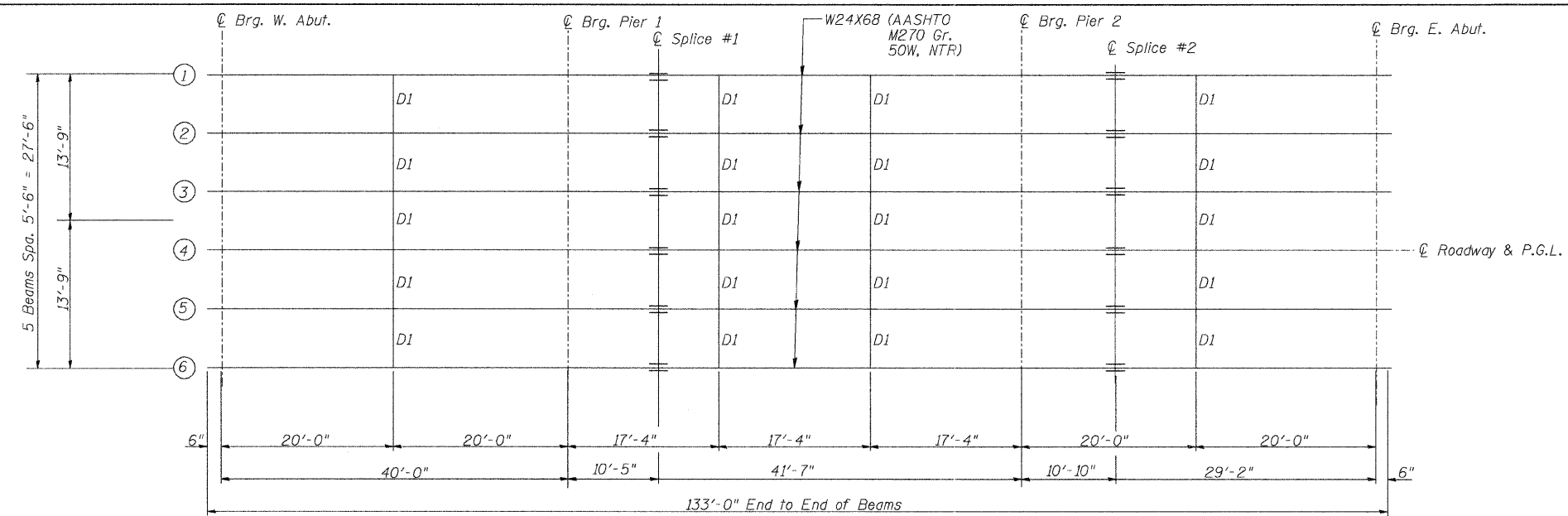
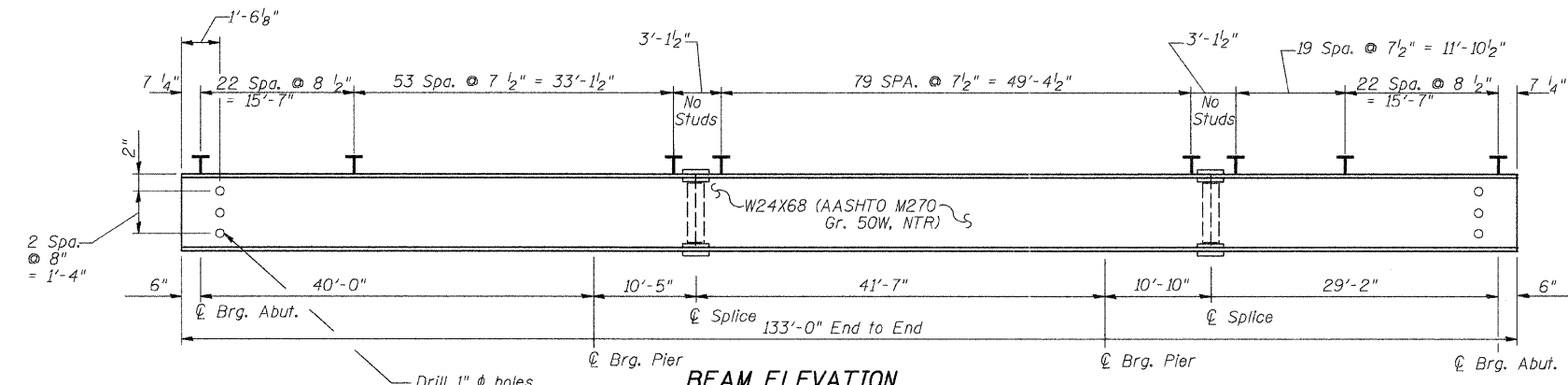


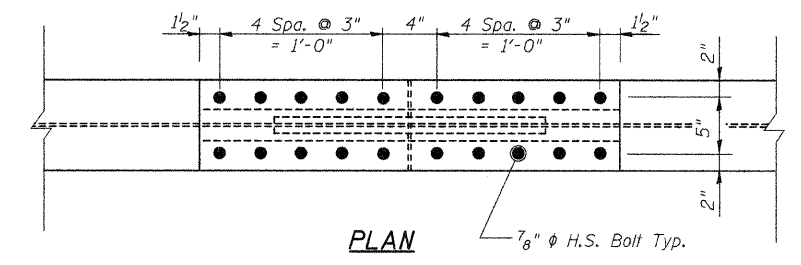
|               |                  |           |              |           |
|---------------|------------------|-----------|--------------|-----------|
| ROUTE NO.     | SECTION          | COUNTY    | TOTAL SHEETS | SHEET NO. |
| C.H. II       | 10-00962-00-BR   | CHAMPAIGN | 40           | 18        |
| STA.          | TO STA.          |           |              |           |
| F.H.W.A. REG. | ILLINOIS PROJECT |           |              |           |



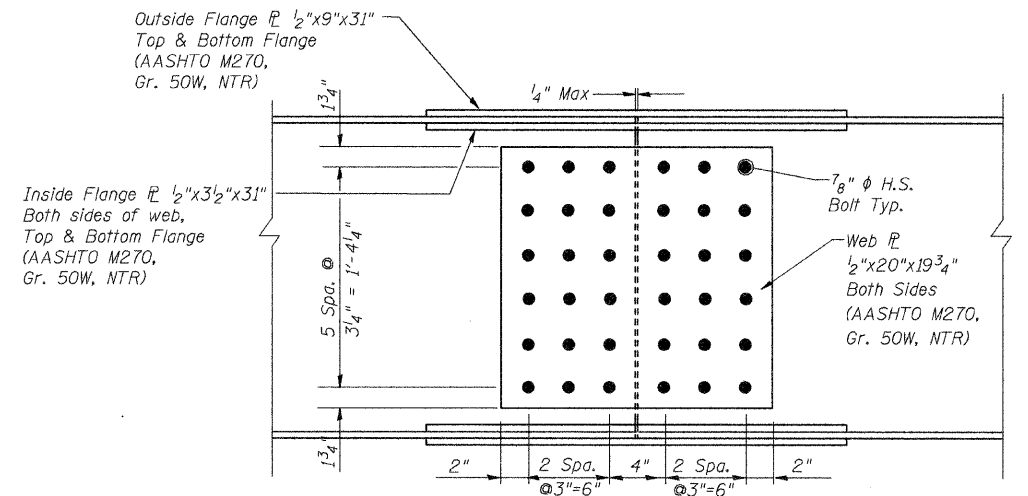
**FRAMING PLAN**



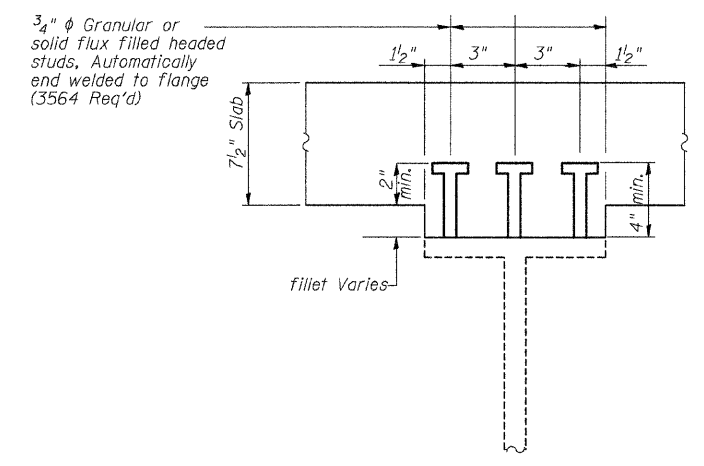
**BEAM ELEVATION**  
(Looking West)



**PLAN**



**ELEVATION SPLICE**



**SECTION A-A**

**TOP OF BEAM ELEVATIONS \***

| Location          | Beam 1 | Beam 2 | Beam 3 | Beam 4 | Beam 5 | Beam 6 |
|-------------------|--------|--------|--------|--------|--------|--------|
| ☐ Brg. West Abut. | 689.83 | 689.92 | 690.01 | 690.01 | 689.92 | 689.83 |
| ☐ Brg. Pier 1     | 689.92 | 690.02 | 690.10 | 690.10 | 690.02 | 689.92 |
| ☐ Splice 1        | 689.92 | 690.02 | 690.10 | 690.10 | 690.02 | 689.92 |
| ☐ Brg. Pier 2     | 689.92 | 690.02 | 690.10 | 690.10 | 690.02 | 689.92 |
| ☐ Splice 2        | 689.90 | 690.00 | 690.08 | 690.08 | 690.00 | 689.90 |
| ☐ Brg. East Abut  | 689.83 | 689.92 | 690.01 | 690.01 | 689.92 | 689.83 |

\*For Fabrication Only

Notes:  
Load carrying components designated "NTR" shall conform to the Supplemental Requirements for Notch Toughness, Zone 2.

FRAMING PLAN & BEAM DETAILS I  
SECTION: 10-00962-00-BR  
CHAMPAIGN COUNTY  
☐ STATION 10+00